

DESCRIPTION

The MBB31D is a efficient GaN blue LED with a 430nm peak wavelength, It is encapsulated in a 3.2mm diameter package with 1.1 inch lead and blue diffused lens.

FEATURES

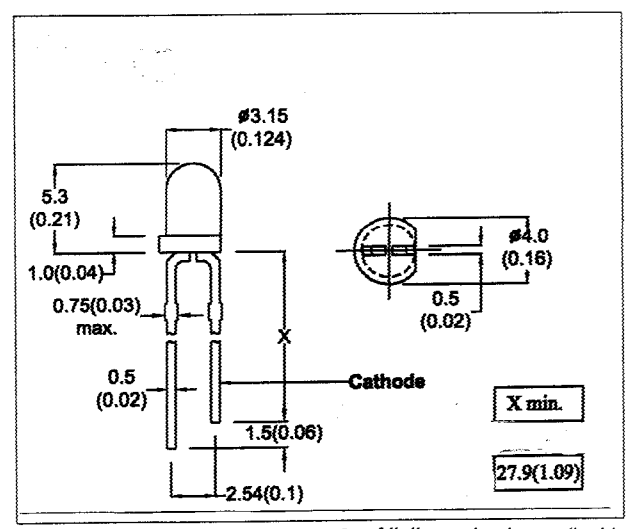
- High Performance - 700 μ W
- Superior SiC substrate technology
- 430nm peak wavelength
- Excellent chip to chip consistency
- High Reliability

APPLICATIONS

- Outdoor Full Color Displays & Moving Message Signs
- Solid State Incandescent Replacement Bulbs
- High Ambient Panel Indicators
- Color Printers and Scanners
- Medical & Analytical Instruments

ABSOLUTE MAXIMUM RATINGS

Power Dissipation @ Ta=25°C	125mW
Forward Current, DC (IF)	25mA
Reverse Voltage	5V
Operating Temperature	-20 to +80°C
Storage Temperature	-30 to +100°C
Lead Temperature	260°C
(Soldering 5 sec., 1/16" form body)	



- All dimension in mm(inch)
- No Scale
- Tol. : +/-0.3mm

ELECTRO-OPTICAL CHARACTERISTICS (Ta=25°C)

PARAMETER	SYMBOL	MIN	TYP	MAX	UNIT	CONDITIONS
Forward Voltage	VF		3.8	5.0	V	IF=20mA
Reverse Current	IR			100	μ A	VR=5V
Luminous Intensity	IV	7	10		mcd	IF=20mA
Peak Wavelength	λ_p		430		nm	IF=20mA
Spectral Line Half Width	$\Delta\lambda$		65		nm	IF=20mA
Viewing Angle	2 θ 1/2		60		degree	IF=20mA

CAUTION

Static electricity does damage these product. Don't apply it to their leadframes.



MICRO ELECTRONICS LTD.
38, Hung To Road, Microtron Building, Kwun Tong, Kowloon, Hong Kong.
Kwun Tong P.O. Box 69477 Hong Kong. Fax No. 2341 0321 Telex:43510 Micro Hx. Tel: 2343 0181-5