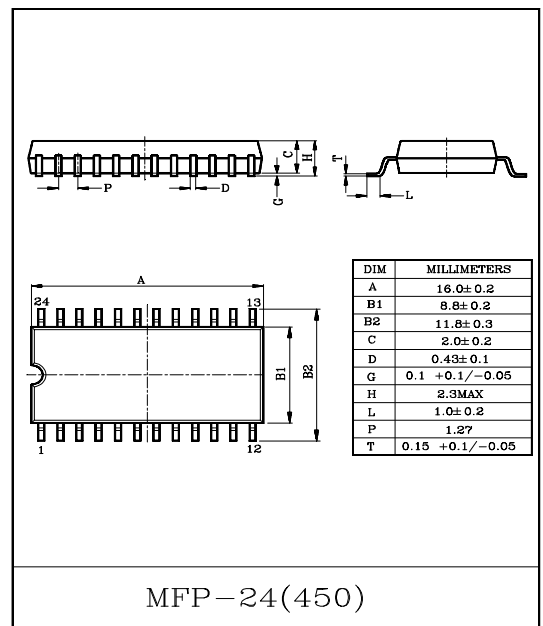
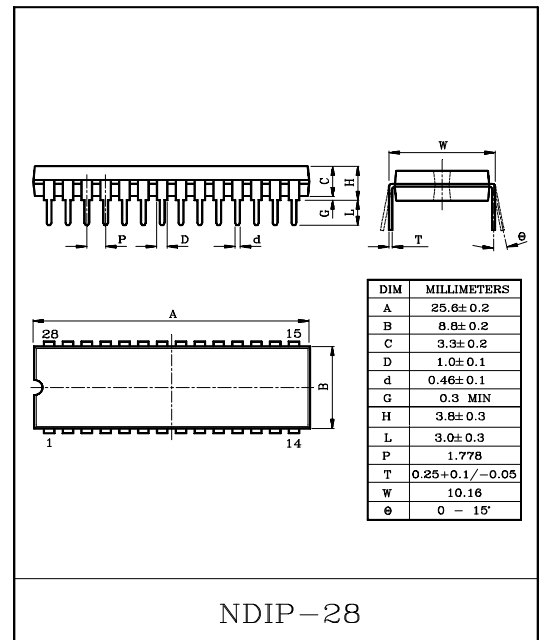


ELECTRONIC VOLUME CONTROL

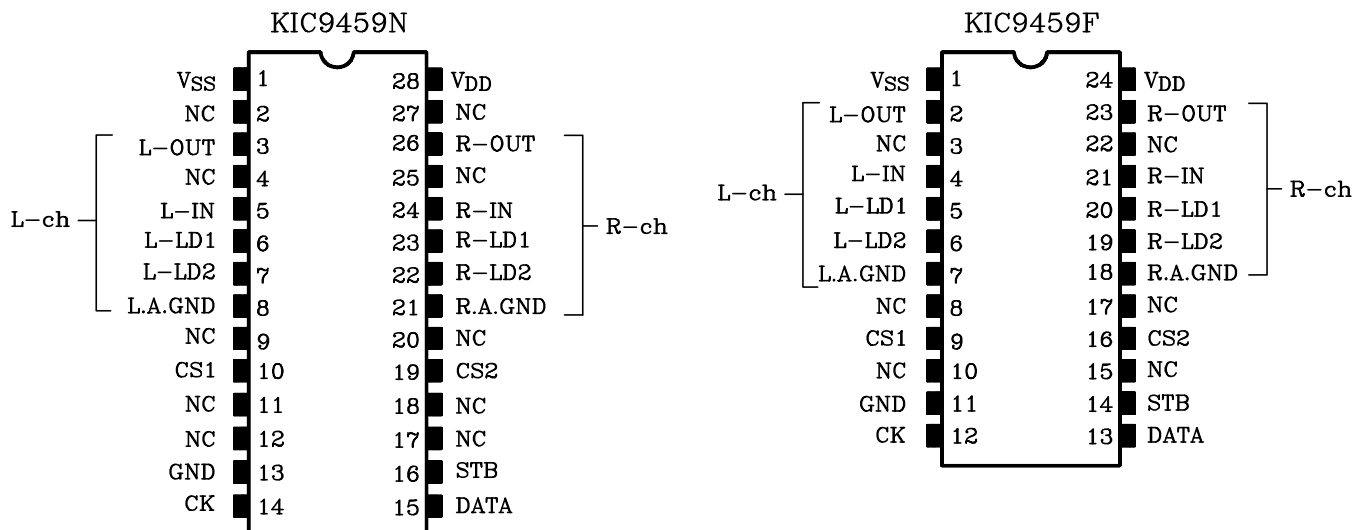
KIC9459N/F are electronic volume control ICs developed for use in home stereos and other audio equipment. Using serial data input from external sources, it controls the sound volume, balance and loudness circuits.

FEATURES

- Sound volume can be controlled in 91 steps from 0 to -89dB or up to an infinite level in 1dB increments.
- Incorporating two channels of volume control circuits, the device allows independent volume control : therefore, it also provides the balancing function.
- A loudness circuit(20dB tap) is built in KIC9459N and KIC9459F.
- Can operate with a single or dual power supplies.
- Can control up to 4 chips on the same bus by using chip select input.
- Thanks to its polysilicon resistor, the device allows you to configure a low-distortion, high-performance volume control system.

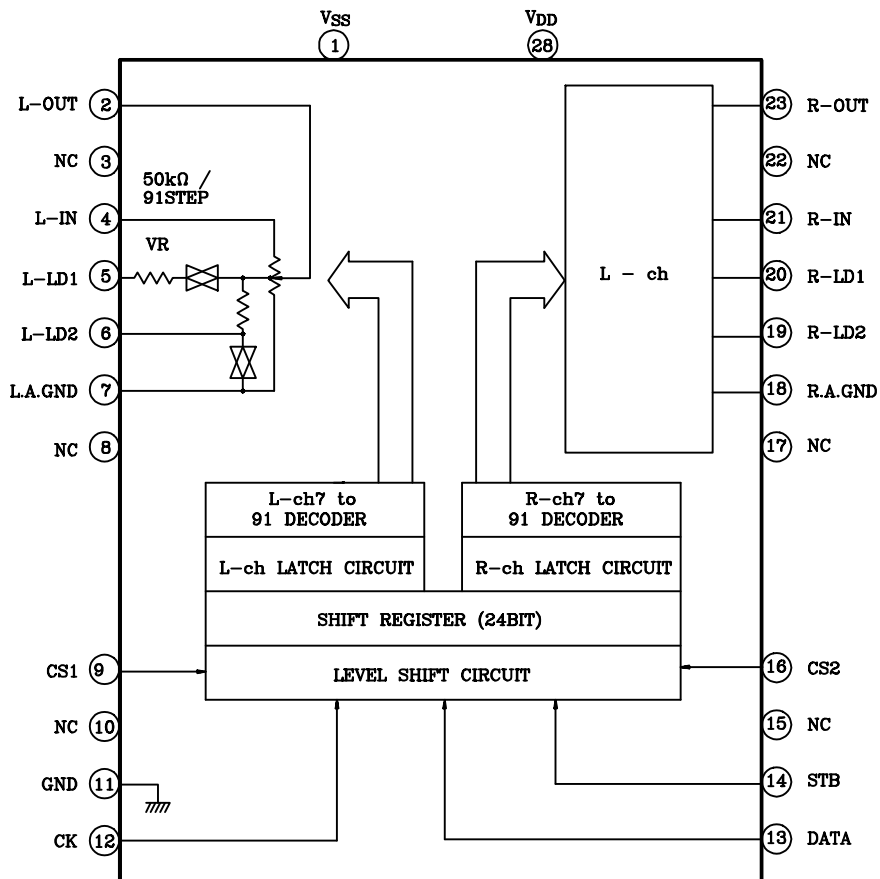
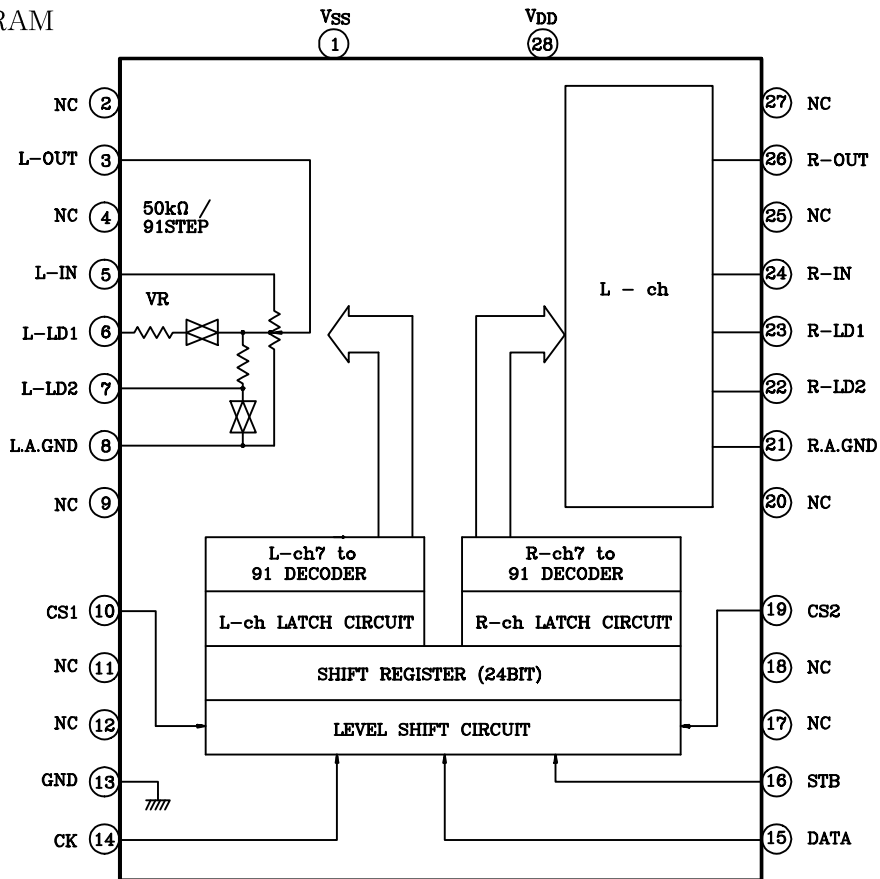


PIN CONNECTION



KIC9459N/F

BLOCK DIAGRAM



KIC9459N/F

MAXIMUM RATINGS (Ta=25°C)

CHARACTERISTIC	SYMBOL	RATING	UNIT
Supply Voltage (1)	V _{DD} /V _{SS}	-0.3~36	V
Supply Voltage (2)	V _{DD} /GND	-0.3~20	V
GND Block Input Voltage	V _{IN} (1)	-0.3~V _{DD} +0.3	V
V _{SS} Block Input Voltage	V _{IN} (2)	V _{SS} -0.3~V _{DD} +0.3	V
Power Dissipation	P _D	300	mW
Operating Temperature Range	T _{opr}	-40~85	°C
Storage Temperature Range	T _{stg}	-65~150	°C

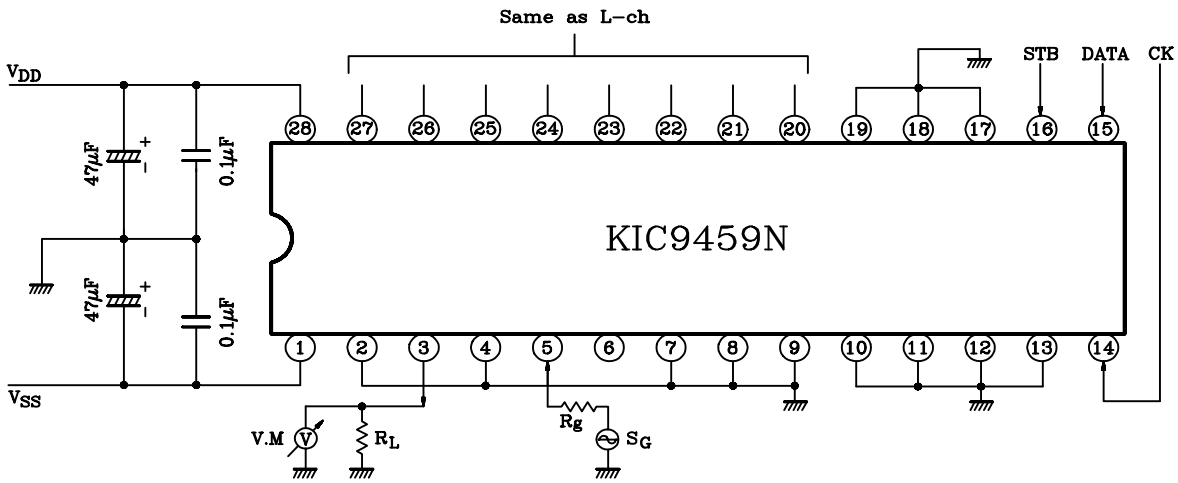
ELECTRICAL CHARACTERISTICS

(Referenced to V_{DD}=15V, V_{SS}=-15V, GND=0V at Ta=25°C unless otherwise noted)

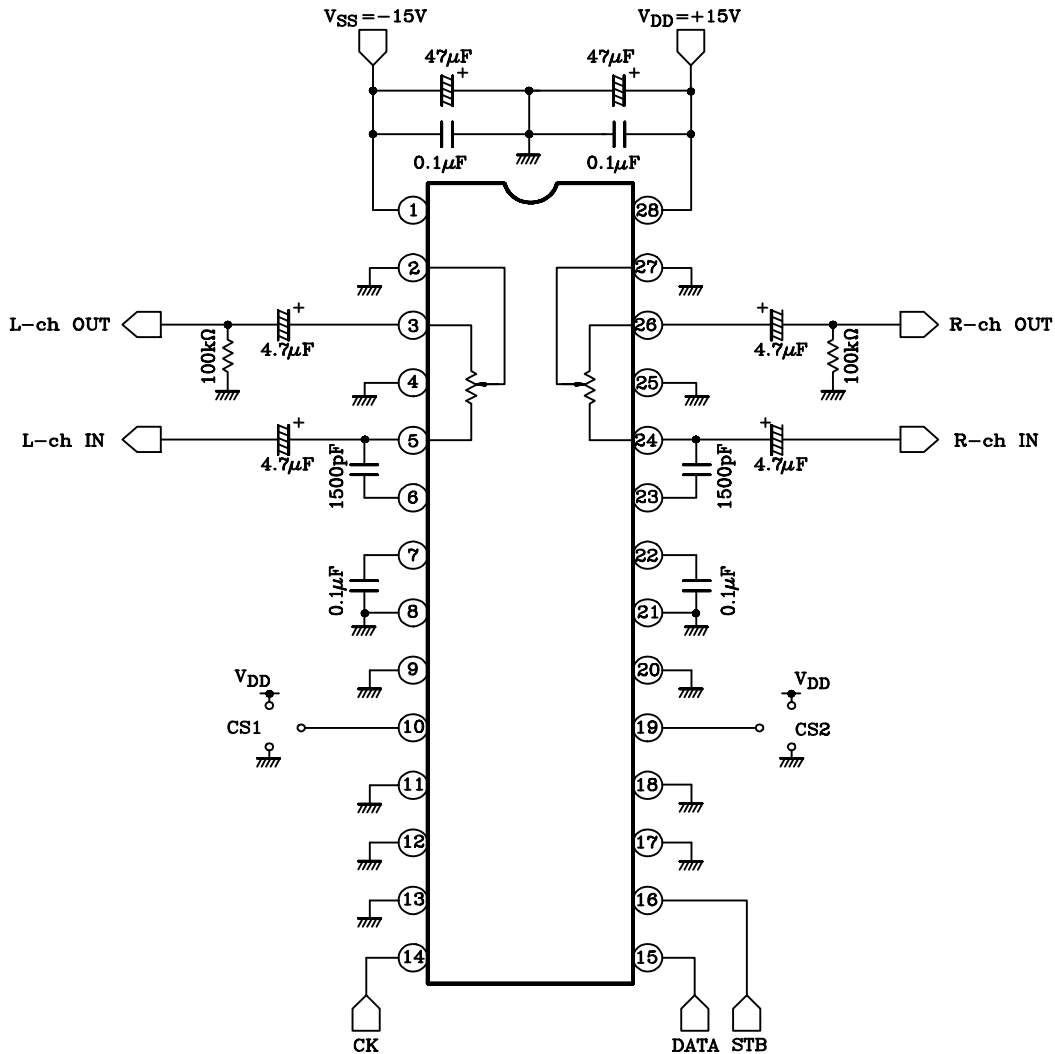
CHARACTERISTIC		SYMBOL	TEST CIRCUIT	TEST CONDITION	MIN.	TYP.	MAX.	UNIT	
Operating Supply Voltage (1)		V _{DD} /V _{CC}	-	Operating with dual power supplies	12	~	34	V	
Operating Supply Voltage (2)		V _{DD} /GND	-	Operating with single power supply	6.0	~	18	V	
Operating Supply Current		I _{DD}	1	Non-loaded, no input	-	0.5	2.0	mA	
Input Voltage	"H" Level	V _{IH} (1)	-	CK, DATA, STB pins V _{DD} =6.0~18V	4.0	~	V _{DD}	V	
	"L" Level	V _{IL} (1)			GND	~	1.0		
Input Voltage	"H" Level	V _{IH} (2)	-	CS1 and CS2 pins	V _{DD} ×0.7	~	V _{DD}	V	
	"L" Level	V _{IL} (2)			GND	~	V _{DD} ×0.3		
Input Current	"H" Level	I _{IH}	-	CK, DATA, STB, CS1, CS2 pins	V _{IH} =15V	-1.0	~	1.0	μA
	"L" Level	I _{IL}			V _{IL} =0V	-1.0	~	1.0	
Operating Frequency		f _{OP}	-	CK, DATA, STB pins	0	~	1.0	MHz	
Min. Operating Clock Width		T _{ck}	-		0.5	-	-	μs	
Volume Resistance		R _{VR}	-	When loudness OFF	18.5	27.5	36.5	kΩ	
Step Deviation		ΔVR	-	Deviation between volume steps	-1.2	~	1.2	dB	
Analog Switch ON Resistance		R _{ON} (1)	-	Only Analog SW LA2	-	350	-	Ω	
		R _{ON} (2)	-	All analog SW (without LA2)	-	750	1500		
Analog Switch Leakage Current		I _{OFF}	-	Internal analog switch	-0.1	~	0.1	μA	
Total Harmonic Distortion		THD	1	f _{IN} =1kHz V _{IN} =1V _{rms} R _g =600Ω, R _L =100kΩ BW=20Hz~20kHz	-	0.005	-	%	
Maximum Attenuation		ATT _{MAX}			-	100	-	dB	
Output Noise Voltage		V _N			-	1.0	-	μV _{rms}	
Crosstalk		C·T			-	100	-	dB	

KIC9459N/F

TEST CIRCUIT ($I_{DD}/THD/ATT_{MAX}/V_N/C \cdot T$)



EXAMPLE OF APPLICATION CIRCUIT



(Note) Since a high-frequency digital signal is input to the CK, DATA and STB pins, corrective measures must be taken to prevent it from getting mixed in the analog circuit to generate noise by, for example, guarding the above signal lines with ground patterns or using shielding wire for these lines.

KIC9459N/F

PIN DESCRIPTION

Numeral in () means the pin No. of KIC9459F

Pin No.	SYMBOL	PIN NAME	FUNCTION	REMARK										
1 (1)	V _{SS}	Negative power supply pin	When using dual power supplies { VDD=6.0~17V GND=0V VSS=-6.0~-17V When using a single power supply { VDD=6.0~18V GND=VSS=0V	-										
13 (11)	GND	Digital GND pin												
28 (24)	V _{DD}	Positive power supply pin												
3 (2)	L-OUT	volume output pin		-										
26 (23)	R-OUT													
5 (4)	L-IN	volume input pin												
24 (21)	R-IN													
6 (5)	L-LD1	Loudness tap output pin			<table border="1"> <thead> <tr> <th></th> <th>LA1</th> <th>LA2</th> </tr> </thead> <tbody> <tr> <td>Loudness "ON"</td> <td>ON</td> <td>OFF</td> </tr> <tr> <td>Loudness "OFF"</td> <td>OFF</td> <td>ON</td> </tr> </tbody> </table>		LA1	LA2	Loudness "ON"	ON	OFF	Loudness "OFF"	OFF	ON
	LA1					LA2								
Loudness "ON"	ON					OFF								
Loudness "OFF"	OFF					ON								
23 (20)	R-LD1													
7 (6)	L-LD2													
22 (19)	R-LD2													
8 (7)	L-A-GND	Analog GND pin												
21 (18)	R-A-GND													
10 (9)	CS1	Chip select input pin	Up to 4 chips on the same bus can be used by switching over chip select code	-										
19 (16)	CS2													
14 (12)	CK	clock input pin	Data transfer clock input	Low threshold value input pin										
15 (13)	DATA	Data input pin	Volume setup serial data input											
16 (14)	STB	Strobe input pin	Data write strobe input											
2,4,9,11,12,17,18,20,25,27 (3) (8) (10) (15) (17) (22)	NC	No connection		-										

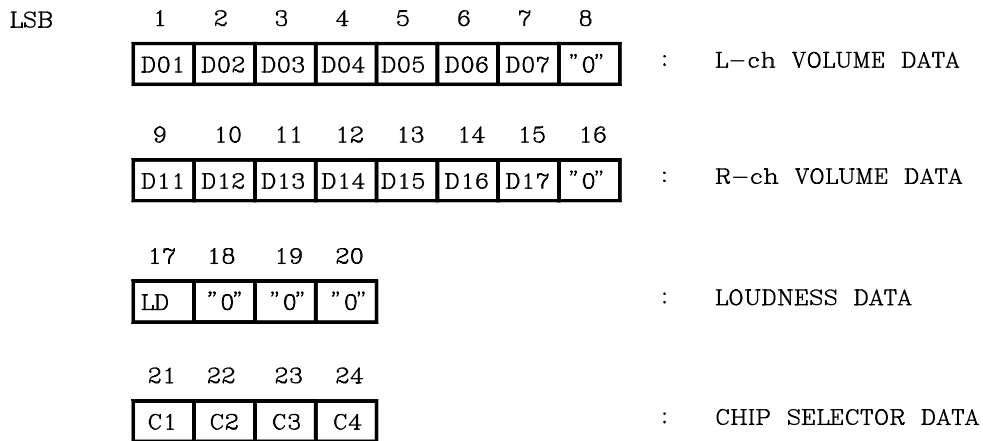
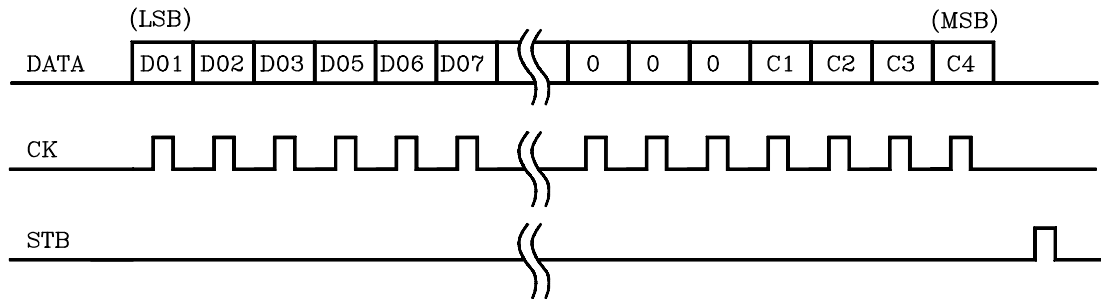
KIC9459N/F

DEVICE OPERATION

1. Setting up volume value (amount of attenuation)

Serial data consisting of 24 bits is used to set a volume value.

- Data format



- 1) Chip select code is constructed 4bit of "C1", "C2", "C3", "C4".
 "C3", "C4" are fixed bit "01"
 "C1", "C2" are variable bit, setting by "C1", "C2" input level.

CS1	CS2	C1	C2	C3	C4
L	L	0	0	0	1
H	L	1	0	0	1
L	H	0	1	0	1
H	H	1	1	0	1

- 2) The bit "LD" is the loudness setup data. Loudness is turned on when LD=1.
 "LD" bit = "1" Loudness ON.
 "LD" bit = "0" Loudness OFF.

KIC9459N/F

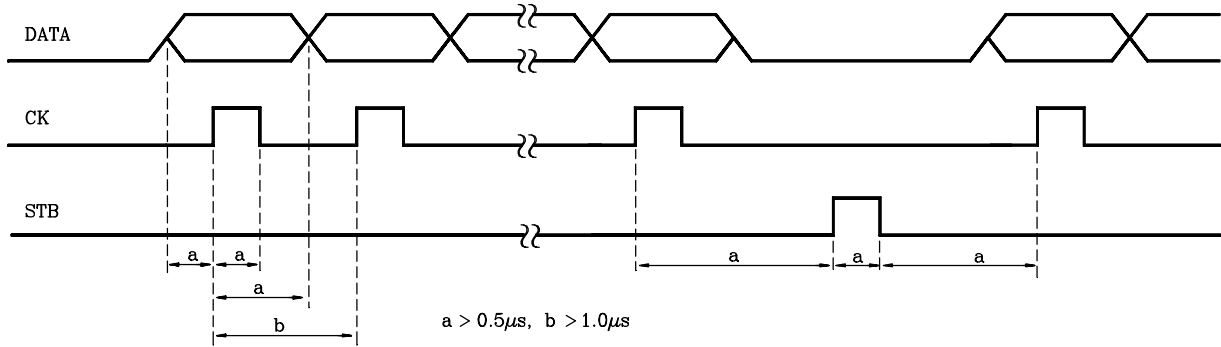
3) The bits "D01" through "D07" are the L-ch volume step data and the bit "D11" through "D17" are R-ch volume step data. For details, see the tables below.

VOLUME VALUE	D01 D11	D02 D12	D03 D13	D04 D14	D05 D15	D06 D16	D07 D17
0dB	0	0	0	0	0	0	0
-1	1	0	0	0	0	0	0
-2	0	1	0	0	0	0	0
-3	1	1	0	0	0	0	0
-4	0	0	1	0	0	0	0
-5	1	0	1	0	0	0	0
-6	0	1	1	0	0	0	0
-7	1	1	1	0	0	0	0
-8	0	0	0	1	0	0	0
-9	1	0	0	1	0	0	0
-10	0	1	0	1	0	0	0
-11	1	1	0	1	0	0	0
-12	0	0	1	1	0	0	0
-13	1	0	1	1	0	0	0
-14	0	1	1	1	0	0	0
-15	1	1	1	1	0	0	0
-16	0	0	0	0	1	0	0
-17	1	0	0	0	1	0	0
-18	0	1	0	0	1	0	0
-19	1	1	0	0	1	0	0
-20	0	0	1	0	1	0	0
-21	1	0	1	0	1	0	0
-22	0	1	1	0	1	0	0
-23	1	1	1	0	1	0	0
-24	0	0	0	1	1	0	0
-25	1	0	0	1	1	0	0
-26	0	1	0	1	1	0	0
-27	1	1	0	1	1	0	0
-28	0	0	1	1	1	0	0
-29	1	0	1	1	1	0	0
-30	0	1	1	1	1	0	0
-31	1	1	1	1	1	0	0
-32	0	0	0	0	0	1	0
-33	1	0	0	0	0	1	0
-34	0	1	0	0	0	1	0
-35	1	1	0	0	0	1	0
-36	0	0	1	0	0	1	0
-37	1	0	1	0	0	1	0
-38	0	1	1	0	0	1	0
-39	1	1	1	0	0	1	0
-40	0	0	0	1	0	1	0
-41	1	0	0	1	0	1	0
-42	0	1	0	1	0	1	0
-43	1	1	0	1	0	1	0
-44	0	0	1	1	0	1	0
-45	1	0	1	1	0	1	0

VOLUME VALUE	D01 D11	D02 D12	D03 D13	D04 D14	D05 D15	D06 D16	D07 D17
-46dB	0	1	1	1	0	1	0
-47	1	1	1	1	0	1	0
-48	0	0	0	0	1	1	0
-49	1	0	0	0	1	1	0
-50	0	1	0	0	1	1	0
-51	1	1	0	0	1	1	0
-52	0	0	1	0	1	1	0
-53	1	0	1	0	1	1	0
-54	0	1	1	0	1	1	0
-55	1	1	1	0	1	1	0
-56	0	0	0	1	1	1	0
-57	1	0	0	1	1	1	0
-58	0	1	0	1	1	1	0
-59	1	1	0	1	1	1	0
-60	0	0	1	1	1	1	0
-61	1	0	1	1	1	1	0
-62	0	1	1	1	1	1	0
-63	1	1	1	1	1	1	0
-64	0	0	0	0	0	0	1
-65	1	0	0	0	0	0	1
-66	0	1	0	0	0	0	1
-67	1	1	0	0	0	0	1
-68	0	0	1	0	0	0	1
-69	1	0	1	0	0	0	1
-70	0	1	1	0	0	0	1
-71	1	1	1	0	0	0	1
-72	0	0	0	1	0	0	1
-73	1	0	0	1	0	0	1
-74	0	1	0	1	0	0	1
-75	1	1	0	1	0	0	1
-76	0	0	1	1	0	0	1
-77	1	0	1	1	0	0	1
-78	0	1	1	1	0	0	1
-79	1	1	1	1	0	0	1
-80	0	0	0	0	1	0	1
-81	1	0	0	0	1	0	1
-82	0	1	0	0	1	0	1
-83	1	1	0	0	1	0	1
-84	0	0	1	0	1	0	1
-85	1	0	1	0	1	0	1
-86	0	1	1	0	1	0	1
-87	1	1	1	0	1	0	1
-88	0	0	0	1	1	0	1
-89	1	0	0	1	1	0	1
-∞	0	1	0	1	1	0	1

2. Serial data timing

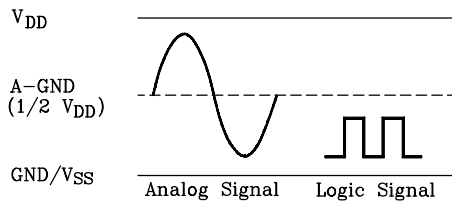
Make sure that CK, DATA and STB are input to the device at the timings shown below.



3. Operating with a single or dual power supplies

The KIC9459N/F can be operated with either a single power supply or dual power supplies. The serial data logic level is 0~5V.

- Operation with single power supply



- Operation with dual power supplies

