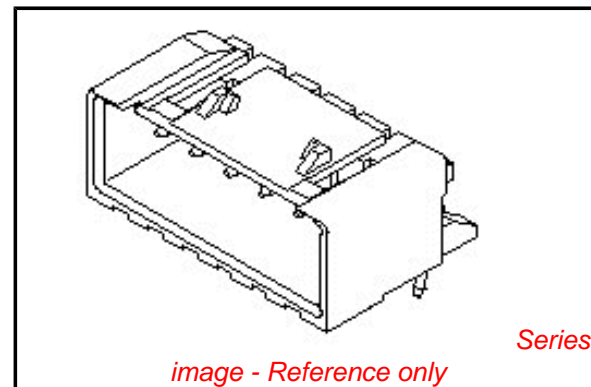


**PLEASE CHECK WWW.MOLEX.COM FOR LATEST PART INFORMATION**

**Part Number:** [0534260210](#)  
**Status:** **Active**  
**Overview:** [minilock](#)  
**Description:** 2.50mm (.098") Pitch Mini-Lock™ Wire-to-Board Header, Right Angle, Friction and Positive Lock, 2 Circuits, Lead-free

**Documents:**

<a href="#">3D Model</a>	<a href="#">Product Specification PS-51103-007 (PDF)</a>
<a href="#">Drawing (PDF)</a>	<a href="#">Product Specification PS-51163-001 (PDF)</a>
<a href="#">Product Specification PS-51102-002 (PDF)</a>	<a href="#">Product Specification PS-51163-002 (PDF)</a>
<a href="#">Product Specification PS-51103-005 (PDF)</a>	<a href="#">RoHS Certificate of Compliance (PDF)</a>



**Agency Certification**

CSA	LR19980
TUV	R72081037
UL	E29179

**General**

Product Family	PCB Headers
Series	<a href="#">53426</a>
Application	Wire-to-Board
MolexKits	Yes
Overview	<a href="#">minilock</a>
Product Name	Mini-Lock™

**Physical**

Breakaway	No
Circuits (Loaded)	2
Circuits (maximum)	2
Color - Resin	White
Durability (mating cycles max)	30
Flammability	94V-0
Glow-Wire Compliant	No
Keying to Mating Part	Yes
Lock to Mating Part	Yes
Material - Metal	Phosphor Bronze
Material - Plating Mating	Tin
Material - Plating Termination	Tin
Number of Rows	1
Orientation	Right Angle
PC Tail Length (in)	0.134 In
PC Tail Length (mm)	3.40 mm
PCB Locator	No
PCB Retention	Yes
PCB Thickness Recommended (in)	0.062 In
PCB Thickness Recommended (mm)	1.60 mm
Packaging Type	Tray
Pitch - Mating Interface (in)	0.098 In
Pitch - Mating Interface (mm)	2.50 mm
Polarized to PCB	No
Shrouded	Fully
Stackable	No
Surface Mount Compatible (SMC)	No
Temperature Range - Operating	-40°C to +105°C
Termination Interface: Style	Through Hole

**EU RoHS**

**ELV and RoHS Compliant**  
**REACH SVHC Contains SVHC: No**  
**Halogen-Free Status**

**China RoHS**



**Need more information on product environmental compliance?**

Email [productcompliance@molex.com](mailto:productcompliance@molex.com)  
 For a multiple part number RoHS Certificate of Compliance, [click here](#)

Please visit the [Contact Us](#) section for any non-product compliance questions.

**Search Parts in this Series**

[53426Series](#)

**Mates With**

[51102](#) Housing with Friction Lock. [51103](#) Housing with Positive Lock. [51163](#) , [51164](#) Housing with Positive Lock and Retainer. [50351](#) Crimp Terminal. [50752](#) Crimp Terminal

**Electrical**

Current - Maximum per Contact

3A

Voltage - Maximum

250V

**Material Info****Reference - Drawing Numbers**

Packaging Specification

SPK-53426-002

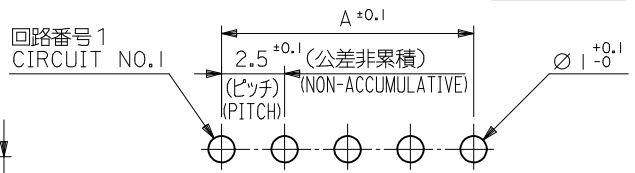
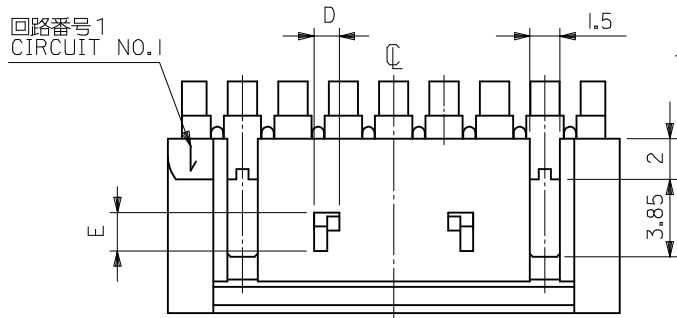
Product Specification

PS-51102-002, PS-51103-005, PS-51103-007,  
PS-51163-001, PS-51163-002, RPS-51103-002,  
RPS-51103-010, RPS-51103-011, RPS-51103-032,  
RPS-51103-034, RPS-51103-039, RPS-51103-041,  
RPS-51103-044, RPS-51103-047, RPS-51103-050,  
RPS-51103-056, RPS-51103-057, RPS-51163-002  
SD-53426-001

Sales Drawing

This document was generated on 06/07/2010

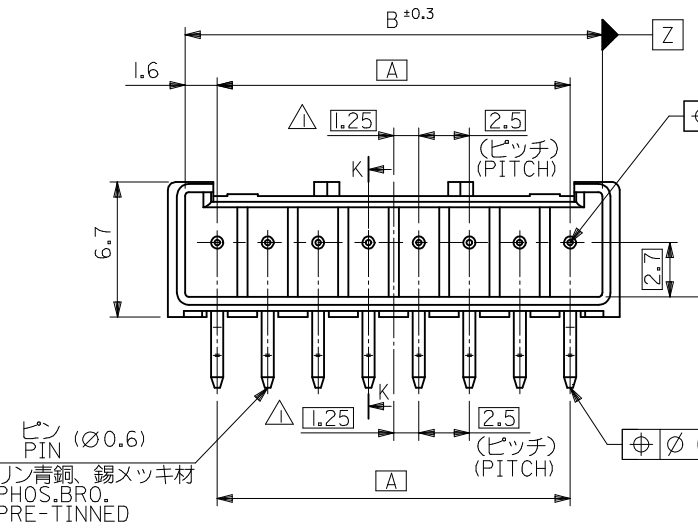
**PLEASE CHECK [WWW.MOLEX.COM](http://WWW.MOLEX.COM) FOR LATEST PART INFORMATION**



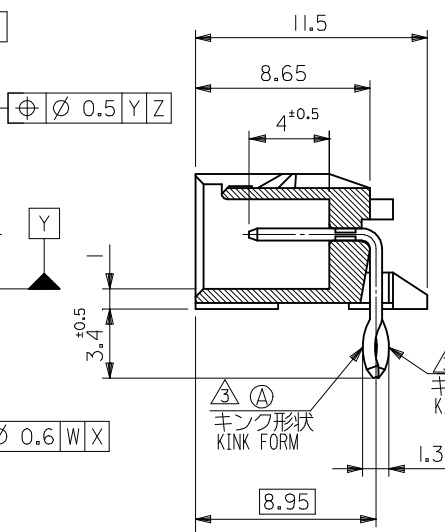
基板取付穴推奨寸法  
RECOMMENDED P.C.BOARD HOLE DIMENSION  
(t=1.6) (SCALE 5 : 1)

注記 NOTES

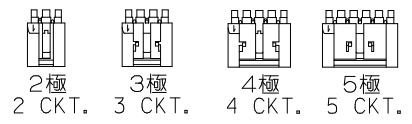
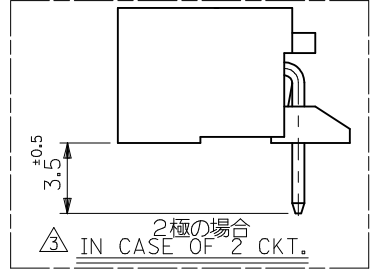
- △ 偶数極品に適用。  
APPLIES ONLY TO EVEN NO. CKT. SIZES.
  - 2. 嵌合相手：51102,51103シリーズ  
MATES WITH : 51102,51103 SERIES.
  - △ 2極はキンクを付加しない。  
3極以上のキンク形状は両サイドが(B)、その他の極はすべて(A)形状とする。
- KINK FORM  
2 CIRCUIT:PINS TO BE NOT KINKED.  
MORE THAN 2 CURCUIT:  
PINS AT BOTH ENDS ARE KINK FORMED TO (B),  
THE OTHER PINS ARE KINK FORMED TO (A).
- 4. 製品番号の下1桁は色を表します。  
LAST DIGIT OF PART NUMBER INDICATES COLOR.  
0:白 WHITE 2:赤 RED



ピン (Ø0.6)  
リン青銅、錫メッキ材  
PHOS.BRO.  
PRE-TINNED



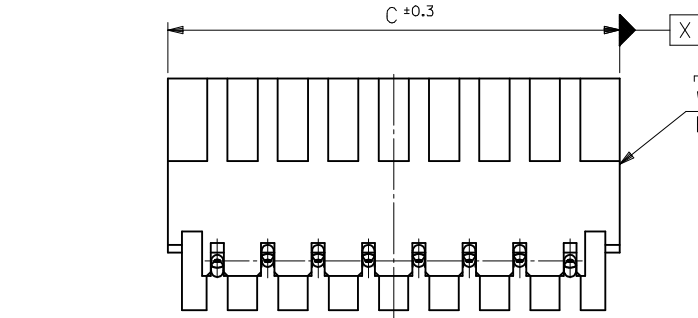
断面 K-K  
SECT. K-K



ロック形状図  
LOCK CONFIGURATION

1.9	1.25	39.9	38.2	35		53426-1510	15
		37.4	35.7	32.5		53426-1410	14
		34.9	33.2	30		53426-1310	13
		32.4	30.7	27.5		53426-1210	12
		29.9	28.2	25		53426-1110	11
		27.4	25.7	22.5		53426-1010	10
		24.9	23.2	20		53426-0910	9
		22.4	20.7	17.5		53426-0810	8
		19.9	18.2	15		53426-0710	7
		17.4	15.7	12.5		53426-0610	6
		14.9	13.2	10		53426-0510	5
	1.25	12.4	10.7	7.5	53426-0412	53426-0410	4
1.9	1	9.9	8.2	5		53426-0310	3
#	#	7.4	5.7	2.5		53426-0210	2
E	D	C	B	A	53426-***12 COLOR:RED	53426-***10 COLOR:WHITE	極数 NO. OF CKTS.

MATERIAL NO. MODEL NO. 53426-\*\*\*1\*



REVISED EC NO: J2009-0576 DRWN:NAKAMURAA 2008/12/16 CHKD:T. HARUYAMA 2008/12/16 APPR:NUKITA 2009/01/19	DESCRIPTION GENERAL TOLERANCES (UNLESS SPECIFIED) 10 UNDER ±0.2 10 OVER 30 UNDER ±0.25 30 OVER ±0.3 ANGULAR ±3 ° DRAFT WHERE APPLICABLE MUST REMAIN WITHIN DIMENSIONS	DIMENSION STYLE MM ONLY	SCALE 4:1	DESIGN UNITS METRIC	THIRD ANGLE PROJECTION	
		DRAWN BY K. TOJO	DATE 1993/07/23	TITLE 2.5 W/B CONN.WAFER ASSY RIGHT ANGLE WITH KINK -LEAD FREE-		
		CHECKED BY K. ASAKAWA	DATE 2001/11/13	MOLEX INCORPORATED		
		APPROVED BY T. YAMAGUCHI	DATE 2001/11/13	MATERIAL NO. SEE CHART	DOCUMENT NO. SD-53426-001	SHEET NO. 1 OF 1