

PLEASE CHECK WWW.MOLEX.COM FOR LATEST PART INFORMATION

Part Number: **0508557412**
Status: **Active**
Description: Ring Tongue Terminal for 12 AWG, Closed Uninsulated Brazed Barrel, Stud Size 5/16" (M8), Oxygen-Free Copper, Length 25.00mm (.984")

Documents:

[Drawing \(PDF\)](#) [Product Specification PS-50855-004 \(PDF\)](#)
[Product Specification PS-50855-002 \(PDF\)](#) [RoHS Certificate of Compliance \(PDF\)](#)

Agency Certification

UL E134962

General

Product Family Ring and Spade Terminals
 Series 50855
 Crimp Quality Equipment Yes
 Mil-Spec N/A
 Product Name R (Ring)
 Type Ring

Physical

Barrel Type Closed - Brazed
 Insulation None
 Material - Plating Mating Tin
 Packaging Type Bag
 Plating min: Mating (µin) 40
 Plating min: Mating (µm) 1
 Plating min: Termination (µin) 40
 Plating min: Termination (µm) 1
 Stud Size 5/16" (M8)
 Termination Interface: Style Crimp or Compression
 Wire Size AWG 12
 Wire Size mm² 2.63 - 4.60

Material Info

Reference - Drawing Numbers

Product Specification PS-50855-002, PS-50855-004
 Sales Drawing SD-50855-001



*Series
image - Reference only*

EU RoHS

**ELV and RoHS
Compliant**
REACH SVHC
 Not Reviewed
**Halogen-Free
Status**
Not Reviewed

China RoHS



**Need more information on product
environmental compliance?**

Email productcompliance@molex.com
 For a multiple part number RoHS Certificate of Compliance, [click here](#)

Please visit the [Contact Us](#) section for any non-product compliance questions.

Search Parts in this Series

50855Series

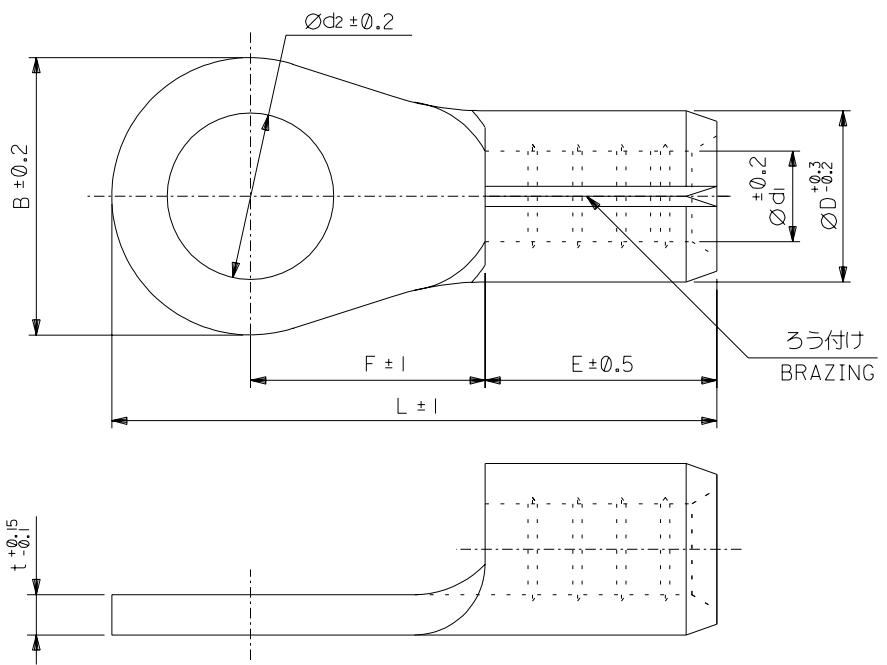
Application Tooling | [FAQ](#)

Tooling specifications and manuals are found by selecting the products below. Crimp Height Specifications are then contained in the Application Tooling Specification document.

Japan

| Description | Product # |
|--|----------------------------|
| Hand Crimper For JIS Terminal | 0572575000 |
| Air Type Hand Crimper For JIS Terminal | 0573439005 |

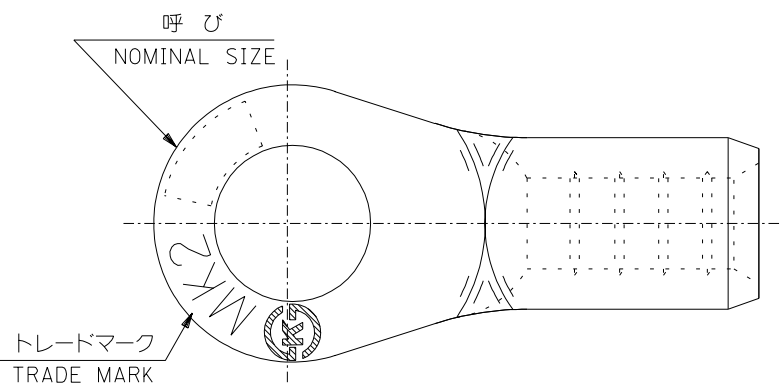
DWG. NO.
SD-50855-001



注記 NOTES

- 材質 MATERIAL
端子: 無酸素銅、スズメッキ
TERMINAL: OXYGEN FREE COPPER, TIN PLATING
ろう付け部: リン銅ろう
PART OF BRAZING: COPPER PHOSPHORUS BRAZING FILLER METALS
- 適用電線 APPLICABLE WIRE RANGE

| 単線 SOLID WIRE | 撚線 STRANDED WIRE |
|------------------|--------------------------|
| 1.82-2.4 mm | 2.63-4.6 mm ² |



| | | | | | | | | | | |
|---|-----|----|-----|------|------|------|------|--------------------|--------------|------------|
| 1 | 3 | 5 | 5.3 | 12.5 | 25 | 14.5 | 10.5 | 3.5 | 10 | 50855-7512 |
| | | | | 10.5 | 21.8 | 12 | 8.4 | | 8 | -7412 |
| | | | | 8.3 | 17.8 | 8.5 | 6.4 | | 6 | -7312 |
| | | | | | | | 5.3 | | 5 | -7212 |
| | | | | | | | 4.3 | | 4 | -7112 |
| | | | | | | | 3.2 | | 3 | 50855-7012 |
| t | Ød1 | ØD | E | F | L | B | Ød2 | 呼び NOMINAL SIZE | MATERIAL NO. | |

DO NOT SCALE DRAWING

| | | | | | | | | | | | |
|---------------------------------|---------------------------------|---------------------------------|---------------------------------|---|----------------------------------|--|---|--|--------------------------|--|------------|
| 64 NO. DRAWN: CH'K: APPR: | 63 NO. DRAWN: CH'K: APPR: | 62 NO. DRAWN: CH'K: APPR: | 61 NO. DRAWN: CH'K: APPR: | RELEASED 60 NO. J2004-0411 DRAWN: T.KAIHO 03/09/03 CH'K: T.ITO APPR: TO.YAMAGUCHI | MATERIAL 材料 注記参照 SEE NOTES | GENERAL TOLERANCES: (UNLESS SPECIFIED) 一般公差 | SCALE 1:1 | DESIGN UNITS <input checked="" type="checkbox"/> mm <input type="checkbox"/> INCH | MODEL NO. 50855-7*12 | DIMENSIONS: <input type="checkbox"/> mm <input type="checkbox"/> INCH <input checked="" type="checkbox"/> mm ONLY | SHT REV |
| | | | | | FINISH 仕上げ 注記参照 SEE NOTES | 10 UNDER 未満 ±0.2 10 OVER 30 UNDER 未満 ±0.25 30 OVER 以上 ±0.3 | DRAWN BY & DATE T.KAIHO 03/09/03 | TITLE: RING TERMINAL(銅線用裸圧着端子) | | | |
| | | | | | WIRE RANGE 適用電線範囲 〃 | ANGLE 角度 ±3° | APPROVED BY & DATE TO.YAMAGUCHI 03/09/03 | MOLEX MOLEX INCORPORATED | | | |
| | | | | | INS. RANGE 被覆外径 〃 | | CAD FILENAME SD50855001.S01 | MATERIAL NO. SEE CHART | DRAWING NO. SD-50855-001 | SHEET NO. 1 OF 1 | SIZE B |

SD-50855001.S01