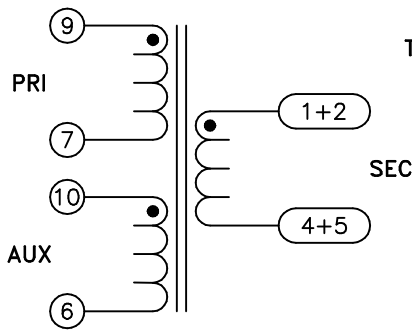
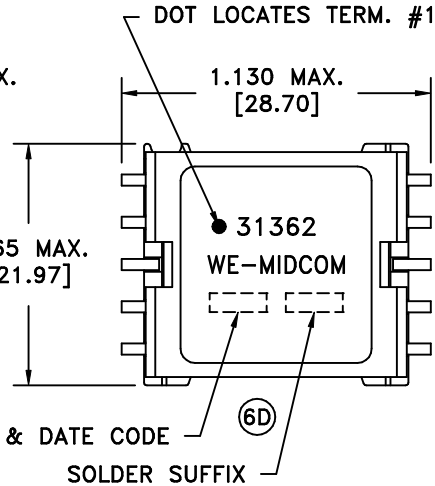
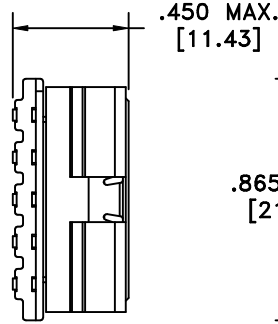
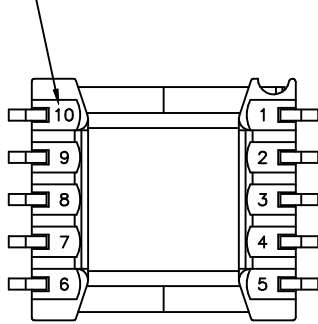
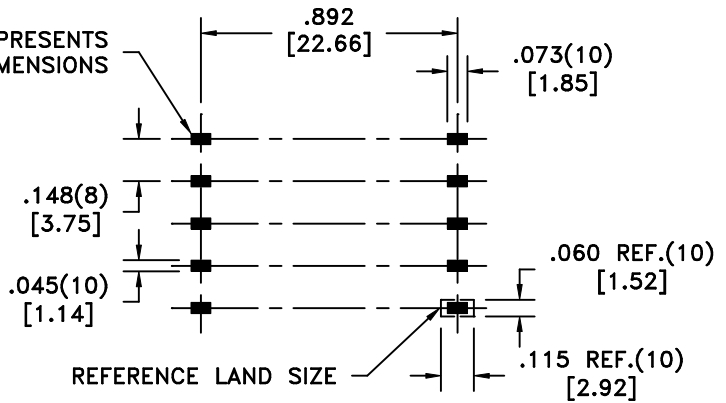


SOLDER SUFFIX	CUSTOMER TERMINAL	RoHS	LEAD(Pb)-FREE	6D
	Sn63%, Pb37%	No	No	
LF3	Sn100%	Yes	Yes	

TERM. NO.'s FOR REF. ONLY



AREA REPRESENTS TERMINAL PAD DIMENSIONS



CUSTOMER TO DETERMINE LAND LAYOUT

6C

**ELECTRICAL SPECIFICATIONS @ 25°C unless otherwise noted:**


D.C. RESISTANCE (@20°C):  
 9-7, 0.30 ohms max.  
 2-4, 0.04 ohms max.  
 1-5, 0.04 ohms max.  
 10-6, 0.45 ohms max.

DIELECTRIC RATING: 1500VAC, 1 minute tested by applying 1875VAC for 1 second between 9-1; 9-2.  
 500VAC, 1 minute tested by applying 625VAC for 1 second between 9-10.

INDUCTANCE: 324uH ±15%, 100kHz, 100mVAC, 9-7, Ls.

URNS RATIO:  
 (9-7):(2-4) = 6:1, ±1%.  
 (9-7):(1-5) = 6:1, ±1%.  
 (9-7):(10-6) = 1.5:1, ±1%.

Designed to meet the specifications of Tellabs.

Unless otherwise specified: Tolerances: Angles: ±1° Fractions: ±1/64 Decimals: ±.005[.13]	DRAWING TITLE <h2 style="text-align: center;">TRANSFORMER</h2>	 www.midcom-inc.com	PART NO. <b>31362R/-LF3</b>	REV. <b>6D</b> 8/06	PART # <b>31362R/-LF3</b>
	eiSos p/n: SEE REVISION SHEET FOR REVISION LEVEL				