

PLEASE CHECK WWW.MOLEX.COM FOR LATEST PART INFORMATION

Part Number: [0513821500](#)
Status: **Active**
Overview: [microclasp](#)
Description: 2.00mm (.079") Pitch MicroClasp™ Wire-to-Board Receptacle Housing, Positive Lock, Single Row, 15 circuits

Documents:

[3D Model](#) [Product Specification PS-51382-004 \(PDF\)](#)
[Drawing \(PDF\)](#) [RoHS Certificate of Compliance \(PDF\)](#)
[Product Specification PS-500730-001 \(PDF\)](#)

General

Product Family	Crimp Housings
Series	51382
Overview	microclasp
Product Name	MicroClasp™

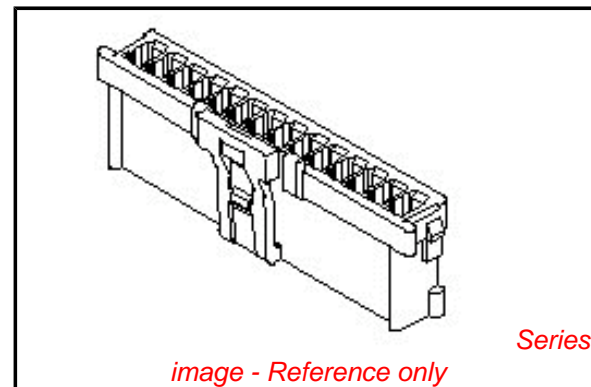
Physical

Circuits (maximum)	15
Color - Resin	White
Gender	Female
Glow-Wire Compliant	No
Lock to Mating Part	Yes
Material - Resin	Nylon
Number of Rows	1
Packaging Type	Bag
Panel Mount	No
Pitch - Mating Interface (in)	0.079 In
Pitch - Mating Interface (mm)	2.00 mm
Stackable	No
Temperature Range - Operating	-25°C to +85°C

Material Info

Reference - Drawing Numbers

Packaging Specification	SPK-51382-001
Product Specification	PS-500730-001, PS-51382-004, RPS-500730-001, RPS-51382-006, RPS-51382-007, RPS-51382-008, RPS-51382-009, RPS-51382-010, RPS-51382-011, RPS-51382-012, RPS-51382-013, RPS-51382-014, RPS-51382-015
Sales Drawing	SD-51382-002



EU RoHS

ELV and RoHS Compliant
REACH SVHC
 Not Reviewed
Halogen-Free
Status
Not Reviewed

China RoHS



Need more information on product environmental compliance?

Email productcompliance@molex.com
 For a multiple part number RoHS Certificate of Compliance, [click here](#)

Please visit the [Contact Us](#) section for any non-product compliance questions.

Search Parts in this Series

[51382Series](#)

Mates With

[55932](#) Vertical Header, [55935](#) Right Angle Header, [500730](#) Vertical Header Potting type

Use With

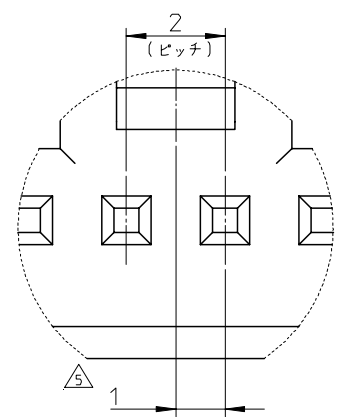
[56134](#)

PLEASE CHECK WWW.MOLEX.COM FOR LATEST PART INFORMATION

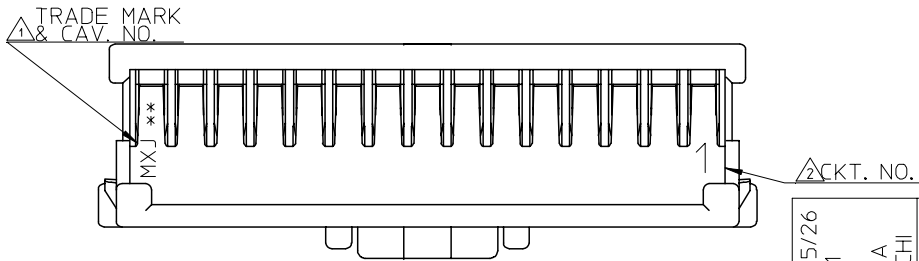
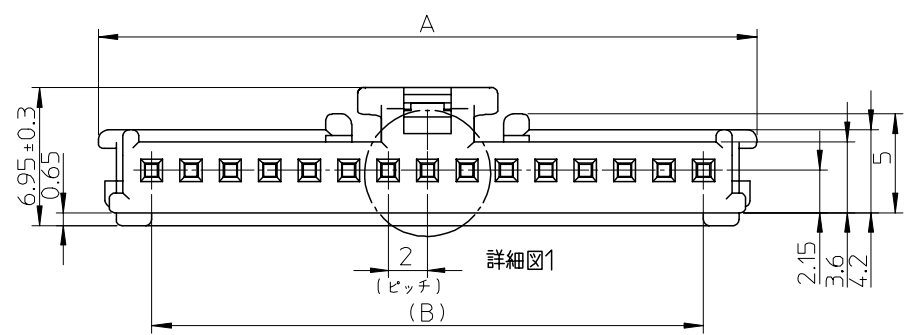
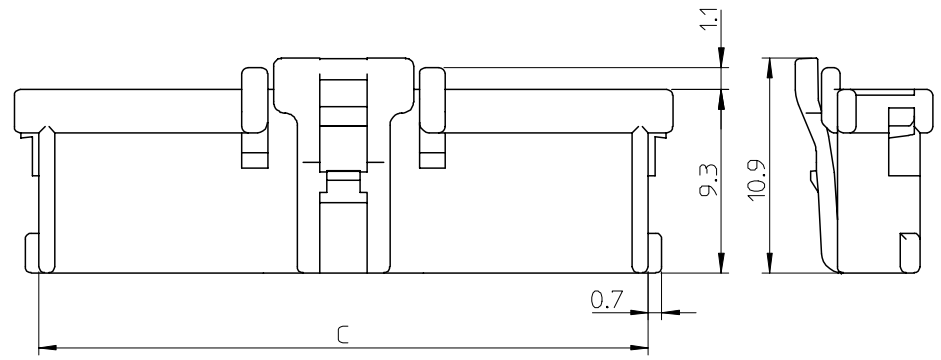
NOTES
 文字の大きさは0.7にて鮮明な事。
 △1 SIZE OF LETTERS 0.7 AND CLEAR.
 文字の大きさは1にて鮮明な事。
 △2 SIZE OF LETTERS 1 AND CLEAR
 3. 適合ターミナル: 59370, 56134 シリーズ
 APPLICABLE TERM.: 59370, 56134 SERIES.
 4. 嵌合相手: 55932, 55935 シリーズ
 MATE WITH: 55932, 55935 SERIES.
 偶数極に適用。
 △5 APPLY EVEN CIRCUIT
 6. 材料 66NYLON
 7. 製品番号
 MATERIAL NO.
 51382-****

極数	色	自然色 (白) NATURAL (WHITE)	00
CTKT	COLOR	黒 BLACK	01
		赤 RED	02
		黄 YELLOW	03
		青 BLUE	04
		桃 PINK	05
		緑 GREEN	06
		茶 BROWN	07
		橙 ORANGE	08
		紫 VIOLET	09
		灰 GRAY	11
		蛍光黄 FLUORESCENCE YELLOW	13
		水 PALE BLUE	14
		黄緑 YELLOWISH GREEN	16

30.9	28	33.4	51382-15**	15
28.9	26	31.4	51382-14**	14
26.9	24	29.4	51382-13**	13
24.9	22	27.4	51382-12**	12
22.9	20	25.4	51382-11**	11
20.9	18	23.4	51382-10**	10
18.9	16	21.4	51382-09**	9
16.9	14	19.4	51382-08**	8
14.9	12	17.4	51382-07**	7
12.9	10	15.4	51382-06**	6
10.9	8	13.4	51382-05**	5
8.9	6	11.4	51382-04**	4
6.9	4	9.4	51382-03**	3
4.9	2	7.4	51382-02**	2
C	B	A	MATERIAL NO.	CKT



詳細図1
Scale 10:1



REVISED '03/05/26 EC NO: J2003-2951 T: DRWN: NITO CHKD: KASAKAWA APPR: T.YAMAGUCHI REV	GENERAL TOLERANCES (UNLESS SPECIFIED) 一般公差		SCALE 4:1	DESIGN UNITS METRIC	THIRD ANGLE PROJECTION	REVISE ON CAD ONLY	
	10 UNDER 未滿	±0.2	DIMENSION STYLE MM ONLY		TITLE 2.0 W/B CONN. HOUSING		
	10 OVER 以上 30 UNDER 未滿	±0.3	DRAWN BY T.NIITSU	DATE '02/31/19	MATERIAL NO. 51382-****		
	30 OVER 以上	±0.3	CHECKED BY T.ITO	DATE '02/10/22	DOCUMENT NO. SD-51382-002	SHEET NO. 1 OF 2	
ANGULAR 角度 ± 3 °		APPROVED BY T.YAMAGU		DATE '02/10/22	INCORPORATED AND SHOULD NOT BE USED WITHOUT WRITTEN PERMISSION		
DRAFT WHERE APPLICABLE MUST REMAIN WITHIN DIMENSIONS		THIS DRAWING CONTAINS INFORMATION THAT IS PROPRIETARY TO MOLEX INCORPORATED AND SHOULD NOT BE USED WITHOUT WRITTEN PERMISSION					

10

9

8

7

6

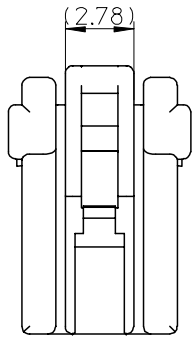
5

4

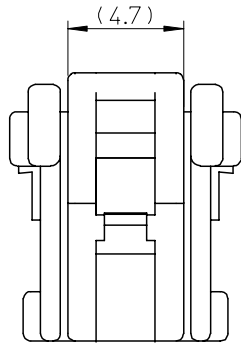
3

2

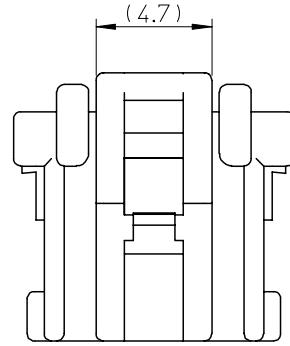
1



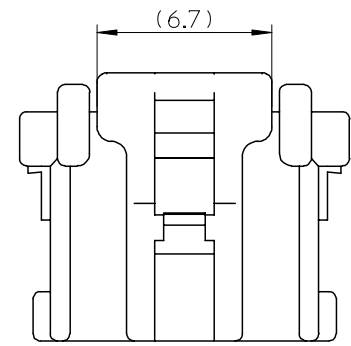
2極品



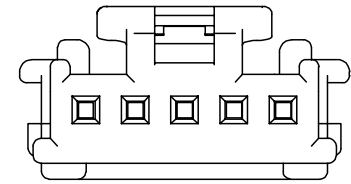
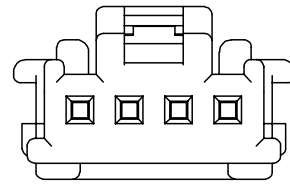
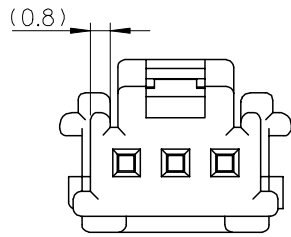
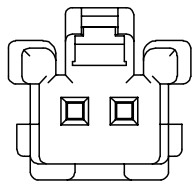
3極品



4極品



5極品以上



F

E

D

C

B

A

F

E

D

C

B

A

REVISED '03/05/26 EC NO: J2003-2951 DRAWN: NJITO CHKD: K.SAKAWA APPR: T.YAMAGUCHI	GENERAL TOLERANCES (UNLESS SPECIFIED) 一般公差		SCALE 5:1	DESIGN UNITS METRIC	THIRD ANGLE PROJECTION	REVISE ON CAD ONLY
	10 UNDER 未満	±0.2	DIMENSION STYLE MM ONLY		TITLE 2.0 W/B CONN. HOUSING	
	10 OVER 以上	30 UNDER 未満	±0.3	DRAWN BY T.NIITSU	DATE '02/3/19	
	30 OVER 以上	±0.3	CHECKED BY T.ITO	DATE '02/10/22	MOLEX INCORPORATED	
	ANGULAR 角度 ± 3 °		APPROVED BY T.YAMAGU	DATE '02/10/22	MATERIAL NO. 51382-****	DOCUMENT NO. SD-51382-002
	DRAFT WHERE APPLICABLE MUST REMAIN WITHIN DIMENSIONS		THIS DRAWING CONTAINS INFORMATION THAT IS PROPRIETARY TO MOLEX INCORPORATED AND SHOULD NOT BE USED WITHOUT WRITTEN PERMISSION			
						SHEET NO. 2 OF 2

A3

9

8

7

6

5

4

3

2