

PLEASE CHECK WWW.MOLEX.COM FOR LATEST PART INFORMATION

Part Number: [0513821100](#)
Status: **Active**
Overview: microclasp
Description: 2.00mm (.079") Pitch MicroClasp™ Wire-to-Board Receptacle Housing, Positive Lock, Single Row, 11 circuits

Documents:

[3D Model](#) [Product Specification PS-51382-004 \(PDF\)](#)
[Drawing \(PDF\)](#) [RoHS Certificate of Compliance \(PDF\)](#)

General

| | |
|----------------|----------------------------|
| Product Family | Crimp Housings |
| Series | 51382 |
| Overview | microclasp |
| Product Name | MicroClasp™ |

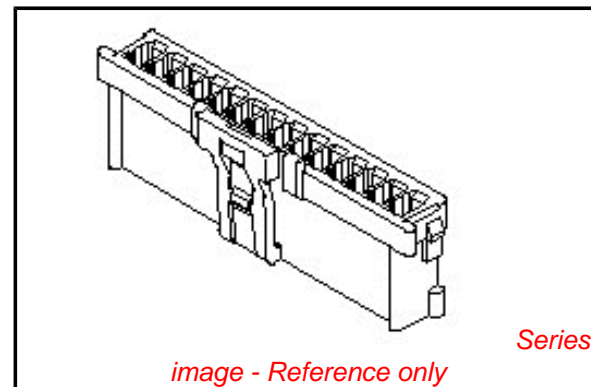
Physical

| | |
|-------------------------------|----------------|
| Circuits (maximum) | 11 |
| Color - Resin | White |
| Gender | Female |
| Glow-Wire Compliant | No |
| Lock to Mating Part | Yes |
| Material - Resin | Nylon |
| Number of Rows | 1 |
| Packaging Type | Bag |
| Panel Mount | No |
| Pitch - Mating Interface (in) | 0.079 In |
| Pitch - Mating Interface (mm) | 2.00 mm |
| Stackable | No |
| Temperature Range - Operating | -25°C to +85°C |

Material Info

Reference - Drawing Numbers

| | |
|-------------------------|--|
| Packaging Specification | SPK-51382-001 |
| Product Specification | PS-51382-004, RPS-51382-006, RPS-51382-007, RPS-51382-008, RPS-51382-009, RPS-51382-010, RPS-51382-011, RPS-51382-012, RPS-51382-013, RPS-51382-014, RPS-51382-015 |
| Sales Drawing | SD-51382-002 |



EU RoHS

ELV and RoHS Compliant
REACH SVHC Contains SVHC: No
Halogen-Free Status
Not Reviewed

China RoHS



Need more information on product environmental compliance?

Email productcompliance@molex.com
 For a multiple part number RoHS Certificate of Compliance, [click here](#)

Please visit the [Contact Us](#) section for any non-product compliance questions.

Search Parts in this Series

[51382Series](#)

Mates With

[55932](#) Vertical Header, [55935](#) Right Angle Header

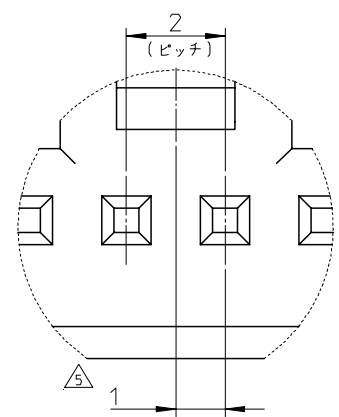
Use With

[56134](#)

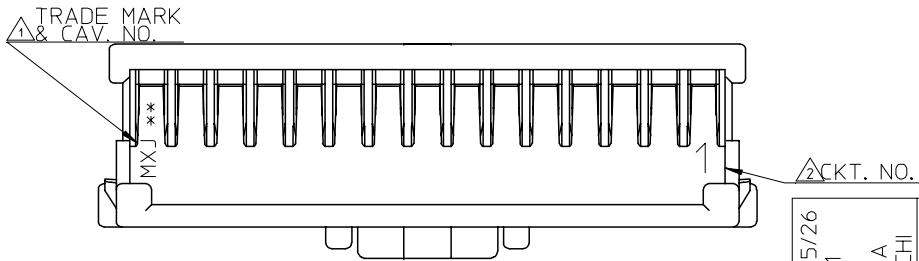
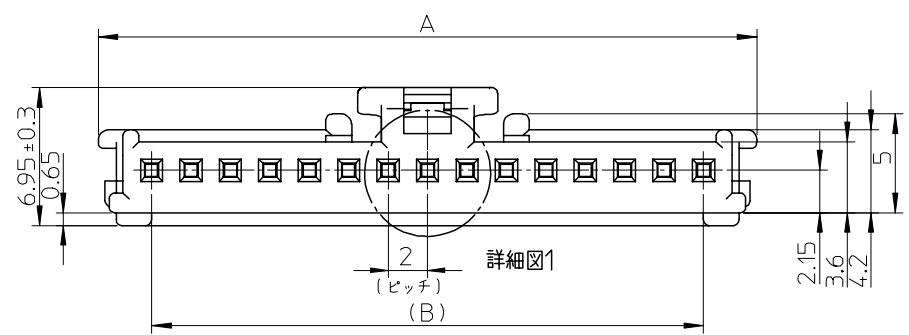
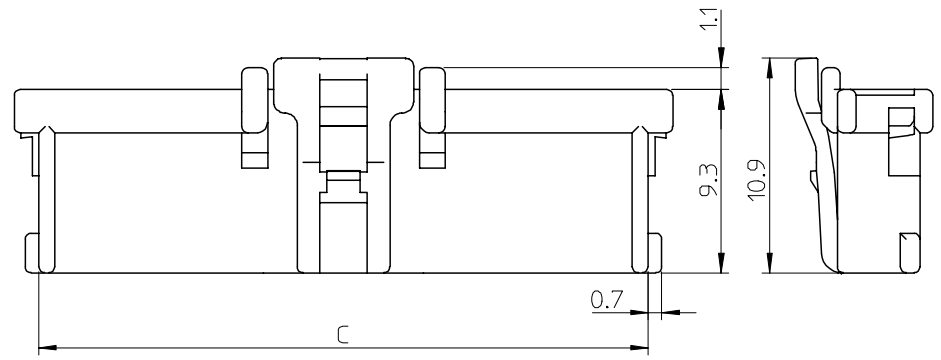
NOTES
 文字の大きさは0.7にて鮮明な事。
 △1 SIZE OF LETTERS 0.7 AND CLEAR.
 文字の大きさは1にて鮮明な事。
 △2 SIZE OF LETTERS 1 AND CLEAR
 3. 適合ターミナル: 59370, 56134 シリーズ
 APPLICABLE TERM.: 59370, 56134 SERIES.
 4. 嵌合相手: 55932, 55935 シリーズ
 MATE WITH: 55932, 55935 SERIES.
 偶数極に適用。
 △5 APPLY EVEN CIRCUIT
 6. 材料 66NYLON
 7. 製品番号
 MATERIAL NO.
 51382-****

| | | | |
|------|-------|-------------------------|----|
| 極数 | 色 | 自然色 (白) NATURAL (WHITE) | 00 |
| CTKT | COLOR | 黒 BLACK | 01 |
| | | 赤 RED | 02 |
| | | 黄 YELLOW | 03 |
| | | 青 BLUE | 04 |
| | | 桃 PINK | 05 |
| | | 緑 GREEN | 06 |
| | | 茶 BROWN | 07 |
| | | 橙 ORANGE | 08 |
| | | 紫 VIOLET | 09 |
| | | 灰 GRAY | 11 |
| | | 蛍光黄 FLUORESCENCE YELLOW | 13 |
| | | 水 PALE BLUE | 14 |
| | | 黄緑 YELLOWISH GREEN | 16 |

| | | | | |
|------|----|------|--------------|-----|
| 30.9 | 28 | 33.4 | 51382-15** | 15 |
| 28.9 | 26 | 31.4 | 51382-14** | 14 |
| 26.9 | 24 | 29.4 | 51382-13** | 13 |
| 24.9 | 22 | 27.4 | 51382-12** | 12 |
| 22.9 | 20 | 25.4 | 51382-11** | 11 |
| 20.9 | 18 | 23.4 | 51382-10** | 10 |
| 18.9 | 16 | 21.4 | 51382-09** | 9 |
| 16.9 | 14 | 19.4 | 51382-08** | 8 |
| 14.9 | 12 | 17.4 | 51382-07** | 7 |
| 12.9 | 10 | 15.4 | 51382-06** | 6 |
| 10.9 | 8 | 13.4 | 51382-05** | 5 |
| 8.9 | 6 | 11.4 | 51382-04** | 4 |
| 6.9 | 4 | 9.4 | 51382-03** | 3 |
| 4.9 | 2 | 7.4 | 51382-02** | 2 |
| C | B | A | MATERIAL NO. | CKT |



詳細図1
Scale 10:1



| | | | | | | |
|--|--|------|--|------------------------|--------------------------------|---------------------|
| REVISED '03/05/26 EC NO: J2003-2951 DRAWN: NITO CHKD: KASAKAWA APPR: T.YAMAGUCHI | GENERAL TOLERANCES (UNLESS SPECIFIED) 一般公差 | | SCALE 4:1 | DESIGN UNITS METRIC | THIRD ANGLE PROJECTION | REVISE ON CAD ONLY |
| | 10 UNDER 未滿 | ±0.2 | DIMENSION STYLE MM ONLY | | TITLE 2.0 W/B CONN. HOUSING | |
| | 10 OVER 以上 30 UNDER 未滿 | ±0.3 | DRAWN BY T.NIITSU | DATE '02/31/19 | MATERIAL NO. 51382-**** | |
| | 30 OVER 以上 | ±0.3 | CHECKED BY T.ITO | DATE '02/10/22 | DOCUMENT NO. SD-51382-002 | SHEET NO. 1 OF 2 |
| | ANGULAR 角度 ± 3 ° | | APPROVED BY T.YAMAGU | DATE '02/10/22 | MATERIAL NO. 51382-**** | |
| | DRAFT WHERE APPLICABLE MUST REMAIN WITHIN DIMENSIONS | | THIS DRAWING CONTAINS INFORMATION THAT IS PROPRIETARY TO MOLEX INCORPORATED AND SHOULD NOT BE USED WITHOUT WRITTEN PERMISSION | | | |

10

9

8

7

6

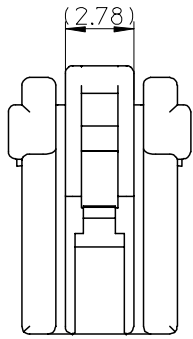
5

4

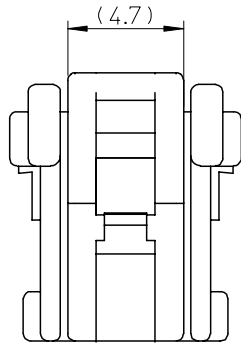
3

2

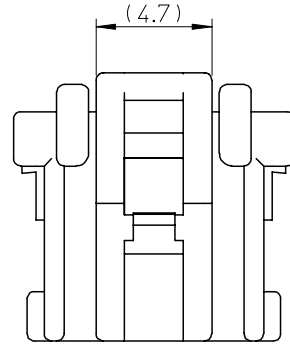
1



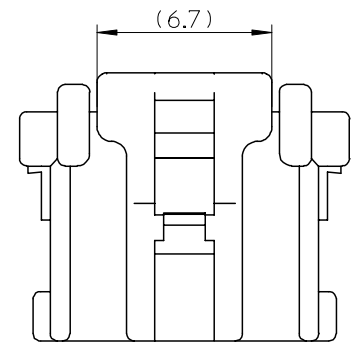
2極品



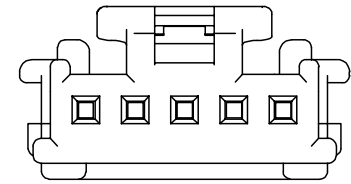
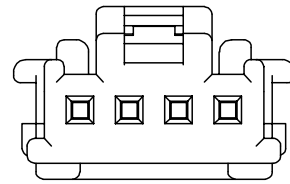
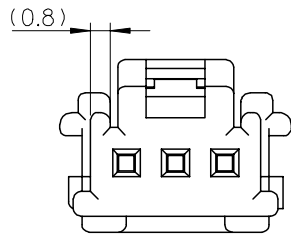
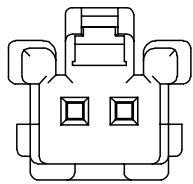
3極品



4極品



5極品以上



F

E

D

C

B

A

F

E

D

C

B

A

| | | | | | | |
|---|--|--|----------------------------|------------------------|--------------------------------|------------------------------|
| REVISED '03/05/26 EC NO: J2003-2951 DRAWN: NJITO CHKD: K.SAKAWA APPR: T.YAMAGUCHI | GENERAL TOLERANCES (UNLESS SPECIFIED) 一般公差 | | SCALE 5:1 | DESIGN UNITS METRIC | THIRD ANGLE PROJECTION | REVISE ON CAD ONLY |
| | 10 UNDER 未満 | ±0.2 | DIMENSION STYLE MM ONLY | | TITLE 2.0 W/B CONN. HOUSING | |
| | 10 OVER 以上 | 30 UNDER 未満 | ±0.3 | DRAWN BY T.NIITSU | DATE '02/3/19 | MOLEX INCORPORATED |
| | 30 OVER 以上 | ±0.3 | CHECKED BY T.ITO | DATE '02/10/22 | | |
| ANGULAR 角度 ± 3° | | APPROVED BY T.YAMAGU | | DATE '02/10/22 | MATERIAL NO. 51382-**** | DOCUMENT NO. SD-51382-002 |
| DRAFT WHERE APPLICABLE MUST REMAIN WITHIN DIMENSIONS | | THIS DRAWING CONTAINS INFORMATION THAT IS PROPRIETARY TO MOLEX INCORPORATED AND SHOULD NOT BE USED WITHOUT WRITTEN PERMISSION | | | | SHEET NO. 2 OF 2 |

A3

9

8

7

6

5

4

3

2