

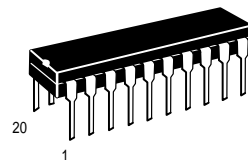
# MC44107

## Product Preview

### IR Remote Control Transmitter CMOS

The MC44107 remote control transmitter converts a keyboard input into a pulse code modulated signal suitable for infrared transmission to an appropriate receiver. Its large command capacity, 512 commands, makes it highly suited to remote control applications in TV, video, hi-fi, etc. The transmitter is an LSI circuit realized in complementary MOS technology.

- Binary Coded, 9-Bit PCM Data Word
- Simple Modulator Requirements
- One-Pin Reference Oscillator for External Ceramic Resonator
- Very Low (Maximum 1  $\mu$ A) Standby Current Consumption
- Wide Operating Voltage Range: 4 to 10 V
- Operating Temperature Range: - 40 to 85° C



**P SUFFIX**  
 PLASTIC DIP  
 CASE 738

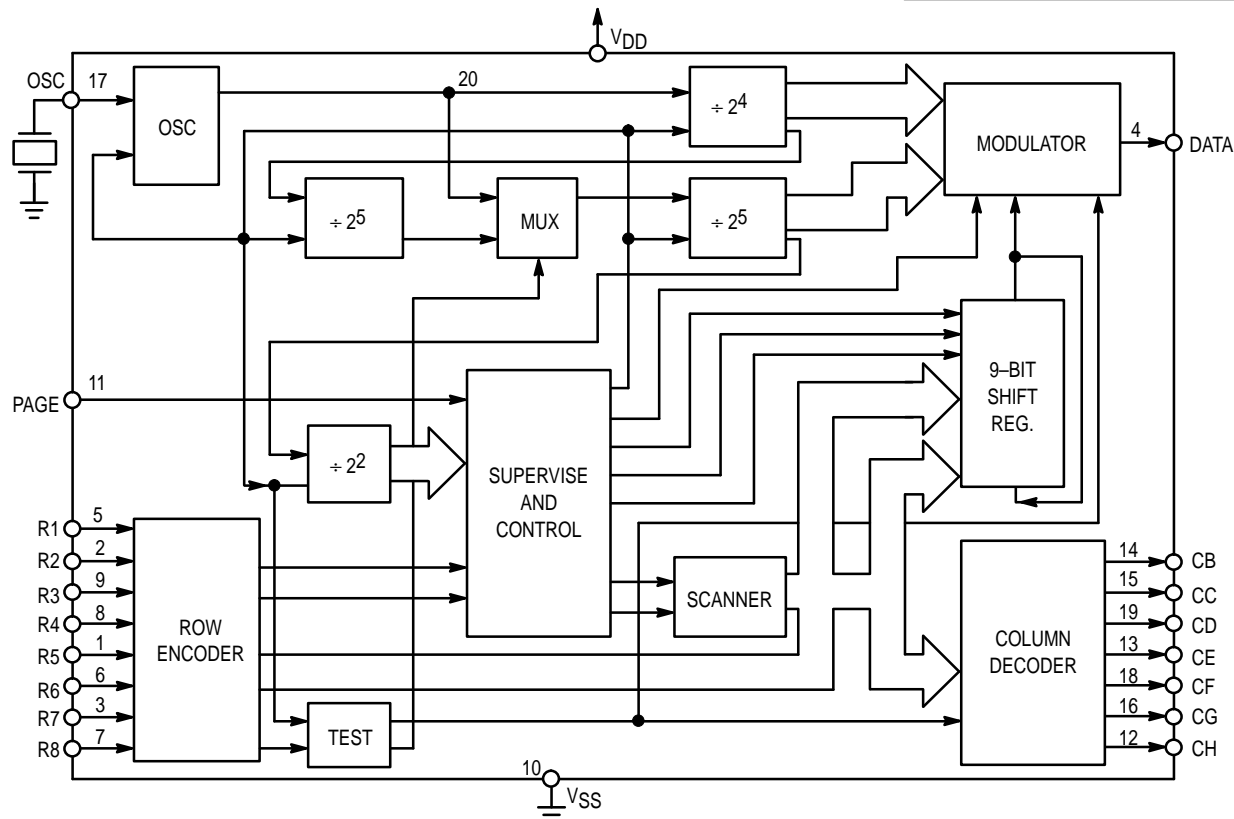
#### ORDERING INFORMATION

MC44107P Plastic DIP

#### PIN ASSIGNMENT

R5	1	20	MUX
R2	2	19	CD
R7	3	18	CF
D <sub>out</sub>	4	17	OSC
R1	5	16	CG
R6	6	15	CC
R8	7	14	CB
R4	8	13	CE
R3	9	12	CH
V <sub>SS</sub>	10	11	PAGE

#### BLOCK DIAGRAM



This document contains information on a product under development. Motorola reserves the right to change or discontinue this product without notice.

REV 2  
 8/95

**MAXIMUM RATINGS\*** (Voltages referenced to  $V_{SS}$ )

Parameter	Symbol	Value	Unit
DC Supply Voltage	$V_{DD}$	- 0.5 to + 12	V
Input Voltage, All Inputs	$V_{in}$	- 0.5 to $V_{DD} + 0.5$	V
DC Current Drain per Pin (Except Signal Out and $V_{DD}$ )	I	2	mA
DC Current Drain (Signal Out and $V_{DD}$ )	I	10	mA
Storage Temperature Range	$T_{stg}$	- 65 to + 150	°C

\* Maximum Ratings are those values beyond which damage to the device may occur. Functional operation should be restricted to the limits in the Electrical Characteristics tables or Pin Descriptions section.

This device contains protection circuitry to guard against damage due to high static voltages or electric fields; however, it is advised that precautions be taken to avoid application of voltage higher than maximum rated voltages to this high-impedance circuit. For proper operation it is recommended that  $V_{in}$  and  $V_{out}$  be constrained to the range  $V_{SS} \leq (V_{in} \text{ or } V_{out}) \leq V_{DD}$ .

Unused inputs must always be tied to an appropriate logic voltage level (e.g., either  $V_{SS}$  or  $V_{DD}$ ).

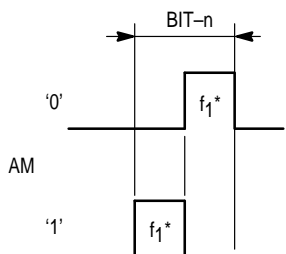
**ELECTRICAL CHARACTERISTICS**

Characteristic	Symbol	$V_{DD}$ $V_{dc}$	- 40°C		25°C			85°C		Unit
			Min	Max	Min	Typ	Max	Min	Max	
Inputs R1...R8 and PAGE (with Pull-Up) $I_{in}$ at $V_{in} = 1.2$ V $I_{in}$ at $V_{in} = 3$ V $I_{in}$ at $V_{in} = 2.8$ V $I_{in}$ at $V_{in} = 7$ V	$I_{in}$	4	—	70	—	—	50	—	40	$\mu$ A
		10	—	350	—	—	250	—	200	
		4	5	—	4	—	—	3	—	
		10	25	—	20	—	—	15	—	
$V_{IH}$ $V_{IH}$	$V_{IH}$	4	2.8	—	2.8	—	—	2.8	—	V
		10	7	—	7	—	—	7	—	
$V_{IL}$ $V_{IL}$	$V_{IL}$	4	—	1.2	—	—	1.2	—	1.2	V
		10	—	3	—	—	3	—	3	
Outputs CB...CH (Open Drain) $I_{on}$ at $V_{on} = 1.2$ V $I_{on}$ at $V_{on} = 3$ V	$I_{on}$	4	270	—	200	—	—	160	—	$\mu$ A
		10	1350	—	1000	—	—	800	—	
$I_{off}$ $I_{off}$	$I_{off}$	4	—	1	—	1	—	—	1	$\mu$ A
		10	—	1	—	1	—	—	1	
Output DATA $V_{OH}$ at $I_{source} = 1.0$ mA	$V_{OH}$	4	3.2	—	3.0	—	1	2.8	—	V
		10	9.6	—	9.5	—	0.5	9.4	—	
$V_{OL}$ at $I_{sink} = 1.0$ mA	$V_{OL}$	4	—	0.8	—	—	1	—	1.2	V
		10	—	0.4	—	—	0.5	—	0.6	
Supply Voltage	$V_{DD}$	—	4	10	4	—	10	4	10	V
Standby Current	$I_{DDSTB}$	4	—	—	—	0.02	1	—	—	$\mu$ A
		10	—	—	—	0.02	1	—	—	
Active Mode Current	$I_{DDACT}$	4	—	—	—	0.07	1	—	—	mA
		10	—	—	—	0.45	2	—	—	
Oscillator Frequency	$f_{osc}$	—	—	—	430	—	530	—	—	kHz

## CIRCUIT OPERATION

The transmitter emits a 9-bit, labelled A (LSB) to I (MSB), binary code able to encode 512 commands organized as 8 pages of 64 commands. All of these commands are user selectable except the last command (511) which is used as an SST, Start/Stop Transmission code.

Each bit of the transmitted signal is in the form of a biphasic pulse code modulated (PCM) signal, whose coding is shown in Figure 1.



\*  $f_1$  is a train of pulses at the carrier frequency  $\div 16$ .

**Figure 1. Signal Coding**

The keyboard can be a simple switch matrix, connected between the eight row inputs (1 to 8) and the seven column outputs (B to H).  $V_{SS}$  acts as the eighth column line to give the full complement of 64 commands per page. The maximum "ON" resistance of the keyboard must be limited to 500  $\Omega$ .

Page access is accomplished by connecting, by means of a key, the page input to one of the seven column outputs or by leaving the input circuit open.

One of the circuit's major features is its low standby current consumption — typically less than 1  $\mu\text{A}$ . For this reason the battery may be left continuously in circuit.

As soon as a key is selected, the circuit switches to its active mode and enables the oscillator. To allow for accidental activation and/or key bounce, the circuit requires that the key is held for a minimum delay of  $t_{\text{key}}$ , which in the case of a 500 kHz oscillator is 65.6 ms. After this delay the column/row/page command, consisting of a string of messages (see

Figure 2), appropriate to the key selected will be transmitted and repeated until the key is released.

Any page key required must be selected before, and held during, the selection of the column/row matrix key. If this sequence is not followed, the circuit will default to the appropriate command between 0 and 63. If two or more page keys are accidentally held down, only the first one pressed will be detected.

A command consists of several messages. Each command starts with the message 511 (SST) followed by the message appropriate to the key selected. These messages are repeated until the key is released. The final message is always followed by the SST message, 511.

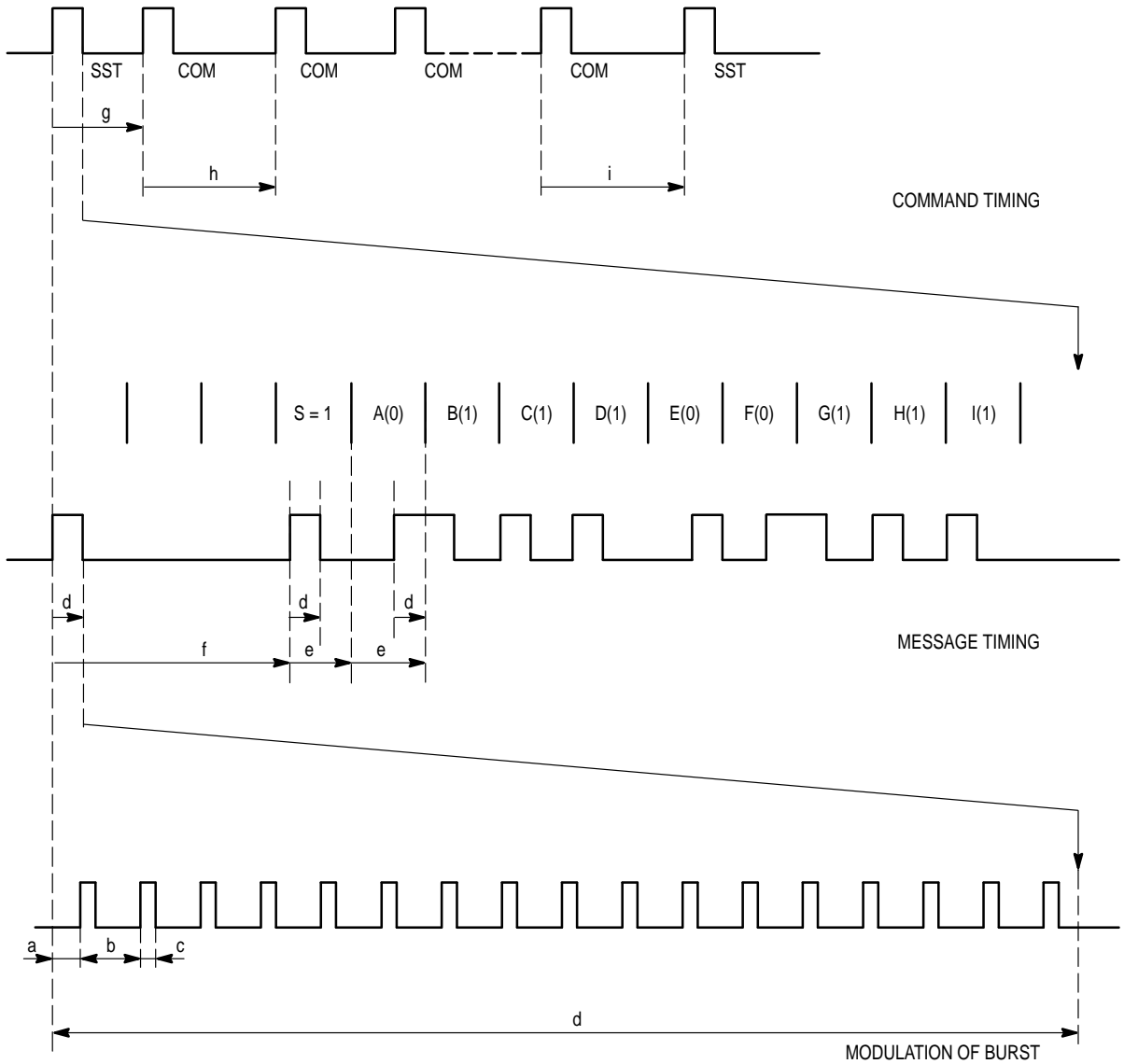
Every message consists of a pre-bit, a pre-bit pause, a start-bit, and nine data bits, where the pre-bit and the start-bit are always logical "1". The pre-bit allows for the set up of the AGC loop in the receiving preamplifier. The truth tables for data bits are given in Tables 1 and 2, while Figure 2 shows the timing relationships between the commands, messages, and modulation.

In the event of accidental multi-key operation, the circuit will react in one of three ways, depending on the combination of the keys selected.

When two or more keys are connected to the same row input and any column output except A, the command appropriate to the first key selected will be transmitted until that key is released. After the SST code has been transmitted, assuming another key is still selected, the command appropriate to that key will be transmitted. If the other key has been released in the meantime, the circuit will revert to standby.

If two keys are selected in the same row with one being connected to column A, any transmission will terminate with the SST code and then the circuit will transmit the command appropriate to the key connected to column A.

In the case where two or more keys connected to the same column are selected, the circuit reacts in a normal manner to the first key activated. Upon selection of the second key, the SST code is transmitted and the circuit will revert to the standby mode. Only when the multi-key condition is released and a single key is selected will the circuit resume operation, as previously described.



**CIRCUIT TIMING\***

Modulation	$a = 4/f_{OSC}$ $b = 16/f_{OSC}$ $c = 4/f_{OSC}$ $d = 256/f_{OSC}$	8 $\mu$ s 32 $\mu$ s 8 $\mu$ s 512 $\mu$ s	1/f Carrier  Half-Bit Time
Message Timing	$d = 256/f_{OSC}$ $e = 512/f_{OSC}$ $f = 1536/f_{OSC}$	512 $\mu$ s 1.02 ms 3.072 ms	Half-Bit Time Bit Time Pre-Pulse Time
Command Timing	$g = 32 \times \text{Bit Time}$ $h = 128 \times \text{Bit Time}$ $i = 128 \times \text{Bit Time}$ $t_{key} = 64 \times \text{Bit Time}$	32.8 ms 131 ms 131 ms 65.6 ms	

\* Times indicated are typical and refer to an oscillator frequency of 500 kHz.

**Figure 2. MC44107 Remote Control Transmitter Timing Diagram**

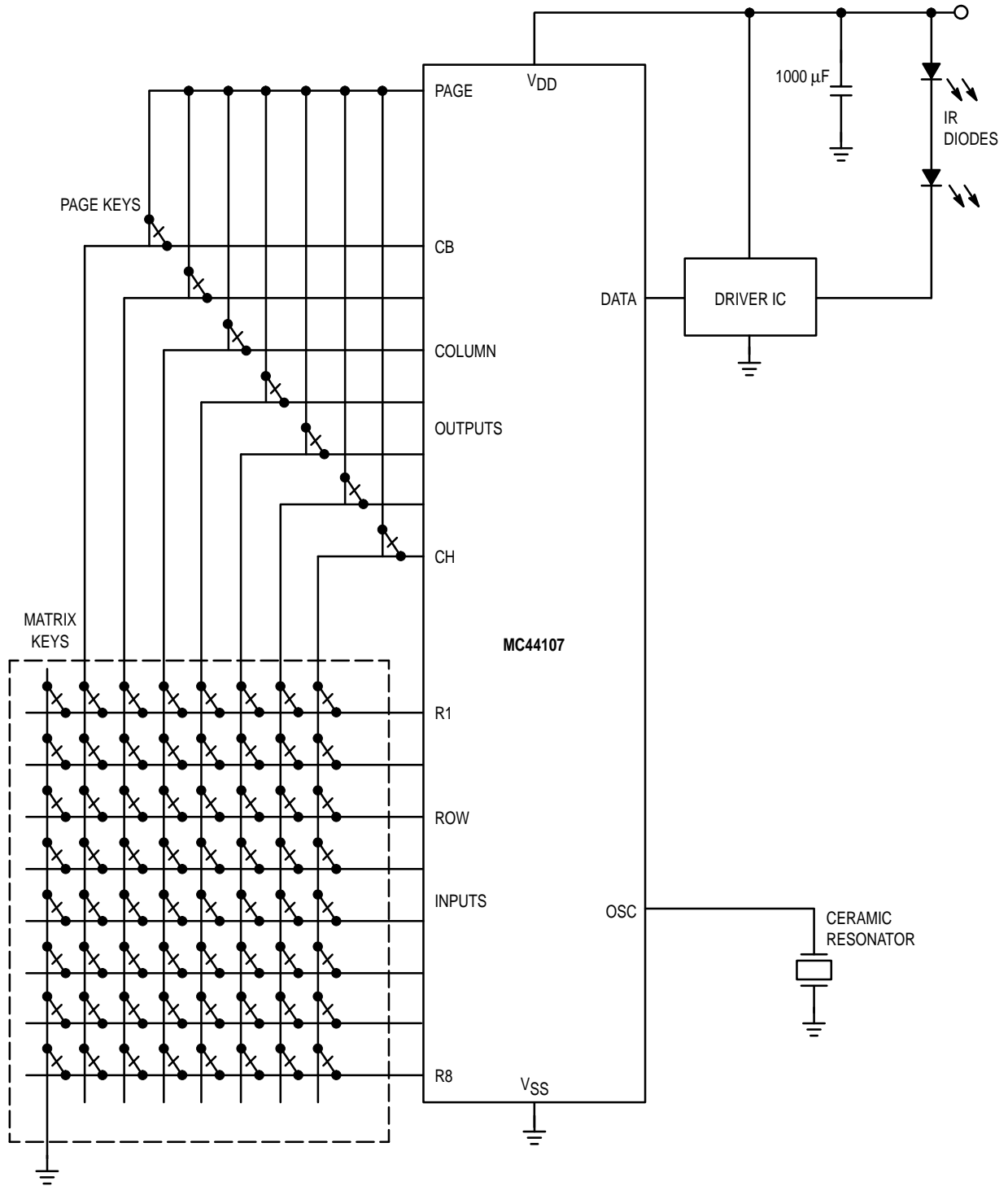


Figure 3. Transmitter Circuit

## PIN DESCRIPTIONS

### ROW INPUTS

1 to 8 ( Pins 1, 2, 3, and 5 – 9) In the standby mode these inputs are held high by internal pull-up resistors. As soon as a key is pressed, a logical "0" is presented by the column output on that particular line. This switches the circuit to the active mode and starts the oscillator.

### COLUMN OUTPUTS

B to H (Pins 12 – 16, 18, and 19) In the standby mode these pins are held low, logical "0". When a key is selected and the oscillator starts, the outputs are released and the scanning routine starts.

### PAGE INPUT

(Pin 11) This input is connected directly to the transmitter's supervisory and control circuitry and may be connected to one of the column outputs, via a key, or left open. If the pin is left open, the first page of 64 commands will be available

(see Table 1). If connected to one of the column outputs, the remaining pages become available (see Table 2). The specified standby current consumption is maintained regardless of the load applied to the input:  $0\text{ V} < V_{\text{page}} < V_{\text{DD}}$ .

### OSCILLATOR

(Pin 17) A one-pin oscillator is incorporated into the circuit, which has been specifically designed for use with an inexpensive ceramic resonator between 430 kHz and 530 kHz. It is possible to use a tuned LC circuit with a series capacitor, in place of the ceramic resonator.

### DATA OUTPUT

(Pin 4) This output provides the modulated signal for subsequent external amplification.

### SPECIAL NOTE: KEYBOARD

It is important, when considering a keyboard, that the maximum "ON" resistance, even after aging, of  $500\ \Omega$  is strictly observed.

Table 1. Transmitted Codes

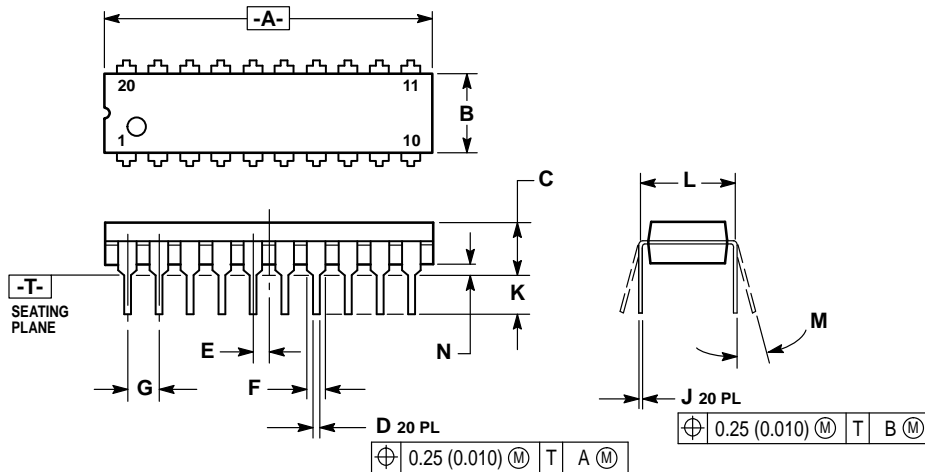
Message Number	Matrix Connect Row/Col	Binary Code									Message Number	Matrix Connect Row/Col	Binary Code								
		A	B	C	D	E	F	G	H	I			A	B	C	D	E	F	G	H	I
0	1A	0	0	0	0	0	0	0	0	0	32	5A	0	0	0	0	0	1	0	0	0
1	1B	1	0	0	0	0	0	0	0	0	33	5B	1	0	0	0	0	1	0	0	0
2	1C	0	1	0	0	0	0	0	0	0	34	5C	0	1	0	0	0	1	0	0	0
3	1D	1	1	0	0	0	0	0	0	0	35	5D	1	1	0	0	0	1	0	0	0
4	1E	0	0	1	0	0	0	0	0	0	36	5E	0	0	1	0	0	1	0	0	0
5	1F	1	0	1	0	0	0	0	0	0	37	5F	1	0	1	0	0	1	0	0	0
6	1G	0	1	1	0	0	0	0	0	0	38	5G	0	1	1	0	0	1	0	0	0
7	1H	1	1	1	0	0	0	0	0	0	39	5H	1	1	1	0	0	1	0	0	0
8	2A	0	0	0	1	0	0	0	0	0	40	6A	0	0	0	1	0	1	0	0	0
9	2B	1	0	0	1	0	0	0	0	0	41	6B	1	0	0	1	0	1	0	0	0
10	2C	0	1	0	1	0	0	0	0	0	42	6C	0	1	0	1	0	1	0	0	0
11	2D	1	1	0	1	0	0	0	0	0	43	6D	1	1	0	1	0	1	0	0	0
12	2E	0	0	1	1	0	0	0	0	0	44	6E	0	0	1	1	0	1	0	0	0
13	2F	1	0	1	1	0	0	0	0	0	45	6F	1	0	1	1	0	1	0	0	0
14	2G	0	1	1	1	0	0	0	0	0	46	6G	0	1	1	1	0	1	0	0	0
15	2H	1	1	1	1	0	0	0	0	0	47	6H	1	1	1	1	0	1	0	0	0
16	3A	0	0	0	0	1	0	0	0	0	48	7A	0	0	0	0	1	1	0	0	0
17	3B	1	0	0	0	1	0	0	0	0	49	7B	1	0	0	0	1	1	0	0	0
18	3C	0	1	0	0	1	0	0	0	0	50	7C	0	1	0	0	1	1	0	0	0
19	3D	1	1	0	0	1	0	0	0	0	51	7D	1	1	0	0	1	1	0	0	0
20	3E	0	0	1	0	1	0	0	0	0	52	7E	0	0	1	0	1	1	0	0	0
21	3F	1	0	1	0	1	0	0	0	0	53	7F	1	0	1	0	1	1	0	0	0
22	3G	0	1	1	0	1	0	0	0	0	54	7G	0	1	1	0	1	1	0	0	0
23	3H	1	1	1	0	1	0	0	0	0	55	7H	1	1	1	0	1	1	0	0	0
24	4A	0	0	0	1	1	0	0	0	0	56	8A	0	0	0	1	1	1	0	0	0
25	4B	1	0	0	1	1	0	0	0	0	57	8B	1	0	0	1	1	1	0	0	0
26	4C	0	1	0	1	1	0	0	0	0	58	8C	0	1	0	1	1	1	0	0	0
27	4D	1	1	0	1	1	0	0	0	0	59	8D	1	1	0	1	1	1	0	0	0
28	4E	0	0	1	1	1	0	0	0	0	60	8E	0	0	1	1	1	1	0	0	0
29	4F	1	0	1	1	1	0	0	0	0	61	8F	1	0	1	1	1	1	0	0	0
30	4G	0	1	1	1	1	0	0	0	0	62	8G	0	1	1	1	1	1	0	0	0
31	4H	1	1	1	1	1	0	0	0	0	63	8H	1	1	1	1	1	1	0	0	0

Table 2. Page Table

Message	Page Input Connected To	G	H	I
0 to 63	Not Connected	0	0	0
64 to 127	CB	1	0	0
128 to 191	CC	0	1	0
192 to 255	CD	1	1	0
256 to 319	CE	0	0	1
320 to 383	CF	1	0	1
384 to 447	CG	0	1	1
448 to 511	CH	1	1	1

PACKAGE DIMENSIONS

P SUFFIX  
PLASTIC DIP  
CASE 738-03



- NOTES:
1. DIMENSIONING AND TOLERANCING PER ANSI Y14.5M, 1982.
  2. CONTROLLING DIMENSION: INCH.
  3. DIMENSION L TO CENTER OF LEAD WHEN FORMED PARALLEL.
  4. DIMENSION B DOES NOT INCLUDE MOLD FLASH.

DIM	INCHES		MILLIMETERS	
	MIN	MAX	MIN	MAX
A	1.010	1.070	25.66	27.17
B	0.240	0.260	6.10	6.60
C	0.150	0.180	3.81	4.57
D	0.015	0.022	0.39	0.55
E	0.050 BSC		1.27 BSC	
F	0.050	0.070	1.27	1.77
G	0.100 BSC		2.54 BSC	
J	0.008	0.015	0.21	0.38
K	0.110	0.140	2.80	3.55
L	0.300 BSC		7.62 BSC	
M	0° - 15°		0° - 15°	
N	0.020	0.040	0.51	1.01

Motorola reserves the right to make changes without further notice to any products herein. Motorola makes no warranty, representation or guarantee regarding the suitability of its products for any particular purpose, nor does Motorola assume any liability arising out of the application or use of any product or circuit, and specifically disclaims any and all liability, including without limitation consequential or incidental damages. "Typical" parameters can and do vary in different applications. All operating parameters, including "Typicals" must be validated for each customer application by customer's technical experts. Motorola does not convey any license under its patent rights nor the rights of others. Motorola products are not designed, intended, or authorized for use as components in systems intended for surgical implant into the body, or other applications intended to support or sustain life, or for any other application in which the failure of the Motorola product could create a situation where personal injury or death may occur. Should Buyer purchase or use Motorola products for any such unintended or unauthorized application, Buyer shall indemnify and hold Motorola and its officers, employees, subsidiaries, affiliates, and distributors harmless against all claims, costs, damages, and expenses, and reasonable attorney fees arising out of, directly or indirectly, any claim of personal injury or death associated with such unintended or unauthorized use, even if such claim alleges that Motorola was negligent regarding the design or manufacture of the part. Motorola and are registered trademarks of Motorola, Inc. Motorola, Inc. is an Equal Opportunity/Affirmative Action Employer.

How to reach us:

USA/EUROPE: Motorola Literature Distribution;  
P.O. Box 20912; Phoenix, Arizona 85036. 1-800-441-2447

JAPAN: Nippon Motorola Ltd.; Tatsumi-SPD-JLDC, Toshikatsu Otsuki,  
6F Seibu-Butsuryu-Center, 3-14-2 Tatsumi Koto-Ku, Tokyo 135, Japan. 03-3521-8315

MFAX: RMFAX0@email.sps.mot.com - TOUCHTONE (602) 244-6609  
INTERNET: http://Design-NET.com

HONG KONG: Motorola Semiconductors H.K. Ltd.; 8B Tai Ping Industrial Park,  
51 Ting Kok Road, Tai Po, N.T., Hong Kong. 852-26629298

