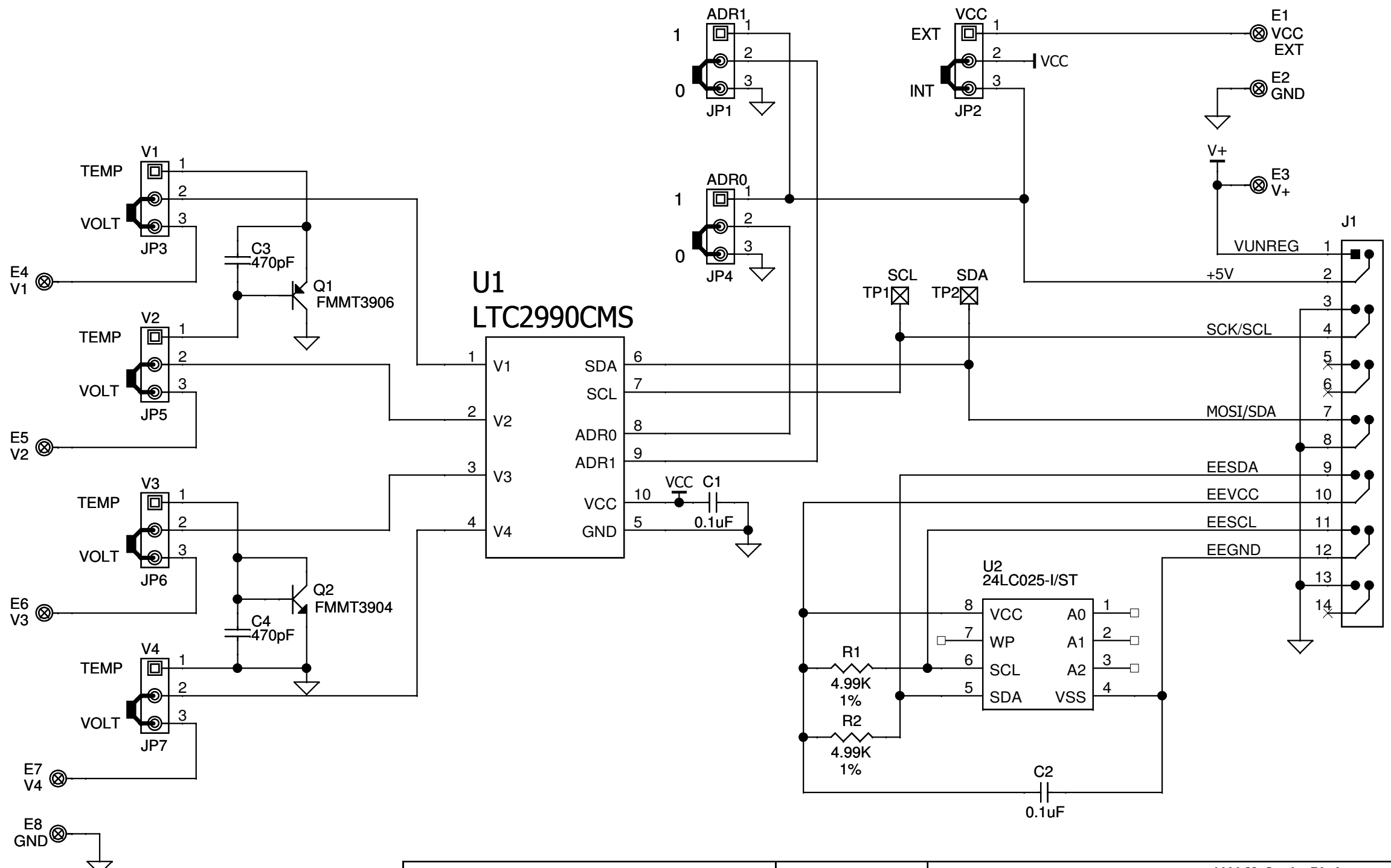


REVISION HISTORY				
ECO	REV	DESCRIPTION	APPROVED	DATE
-	2	PRODUCTION	LEO CHEN	11/18/09



<p><b>CUSTOMER NOTICE</b></p> <p>LINEAR TECHNOLOGY HAS MADE A BEST EFFORT TO DESIGN A CIRCUIT THAT MEETS CUSTOMER-SUPPLIED SPECIFICATIONS; HOWEVER, IT REMAINS THE CUSTOMER'S RESPONSIBILITY TO VERIFY PROPER AND RELIABLE OPERATION IN THE ACTUAL APPLICATION. COMPONENT SUBSTITUTION AND PRINTED CIRCUIT BOARD LAYOUT MAY SIGNIFICANTLY AFFECT CIRCUIT PERFORMANCE OR RELIABILITY. CONTACT LINEAR TECHNOLOGY APPLICATIONS ENGINEERING FOR ASSISTANCE.</p> <p>THIS CIRCUIT IS PROPRIETARY TO LINEAR TECHNOLOGY AND SUPPLIED FOR USE WITH LINEAR TECHNOLOGY PARTS.</p>	<p><b>APPROVALS</b></p> <table border="1"> <tr> <td>PCB DES.</td> <td>R.B.</td> </tr> <tr> <td>APP ENG.</td> <td>Leo C.</td> </tr> </table>		PCB DES.	R.B.	APP ENG.	Leo C.		<p>1630 McCarthy Blvd. Milpitas, CA 95035 Phone: (408)432-1900 www.linear.com Fax: (408)434-0507 LTC Confidential-For Customer Use Only</p>	
	PCB DES.	R.B.							
	APP ENG.	Leo C.							
	<p>SCALE = NONE</p>		<p><b>TITLE: SCHEMATIC</b></p> <p><b>TEMPERATURE, VOLTAGE AND CURRENT MONITOR</b></p>						
<p>DATE: Monday, October 04, 2010</p>		<p>SIZE: N/A</p>	<p>IC NO. <b>LTC2990CMS</b></p> <p><b>DEMO CIRCUIT 1338A</b></p>	<p>REV. <b>2</b></p>					
<p>SHEET 1 OF 1</p>			<p>SHEET 1 OF 1</p>						