



L1183A

Preliminary

CMOS IC

300mA CMOS LDO

DESCRIPTION

The UTC **L1183A** is a COMS positive linear regulator. One of it's feature is the very low quiescent current typical as low as 30μA and its dropout voltage is extremely low with 300mA output current.

The internal circuit includes thermal shutdown and current fold-back to prevent device failure when the circuit is operated in the bad conditions.

In application, the UTC **L1183A** needs a low noise, regulated supply. For stable operation, the output capacitance value should be 2.2μF or more.

The UTC **L1183A** is an ideal for battery applications, such as instrumentations, portable electronics, wireless devices, cordless phones, PC peripherals, and battery powered widgets.

FEATURES

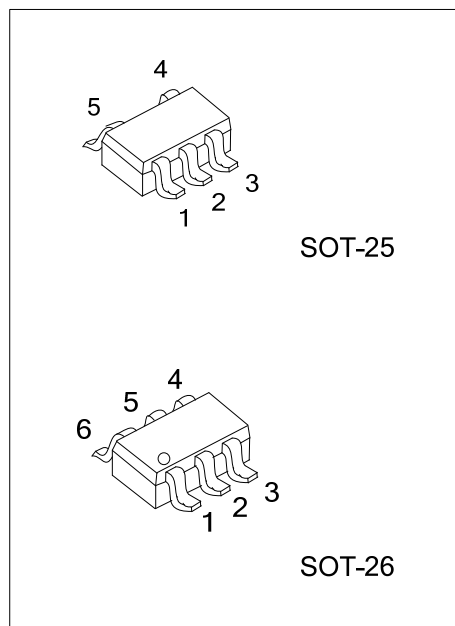
- * Accurate To Within 1.5%
- * Quiescent Current: 30μA
- * Internal Over-Temperature Shutdown
- * With Current Limiting
- * Internal Short Circuit Current Fold-Back
- * Has Power-Saving Shutdown Mode
- * Very Low Temperature Coefficient
- * Halogen Free

ORDERING INFORMATION

Ordering Number		Package	Packing
Lead Free	Halogen Free		
L1183AL-xx-AF5-R	L1183AG-xx-AF5-R	SOT-25	Tape Reel
L1183AL-xx-AG6-R	L1183AG-xx-AG6-R	SOT-26	Tape Reel

Note: xx: Output Voltage, refer to Marking Information.

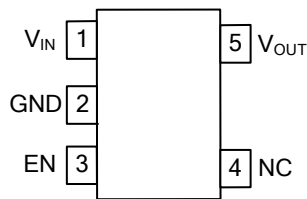
<p>L1183AL-xx-AF5-R</p> <p>(1) Packing Type (2) Package Type (3) Output Voltage Code (4) Lead Free</p>	<p>(1) R: Tape Reel (2) AF5: SOT-25, AG6: SOT-26 (3) xx: Refer to Marking Information (4) G: Halogen Free, L: Lead Free</p>
--	---



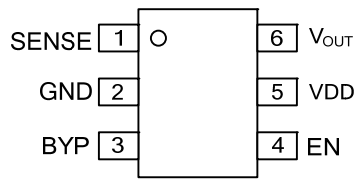
MARKING INFORMATION

PACKAGE	VOLTAGE CODE	MARKING
SOT-25	12 :1.2V 15 :1.5V 28 :2.8V	<p>G: Halogen Free L: Lead Free</p>
SOT-26	31 :3.1V 33 :3.3V	<p>G: Halogen Free L: Lead Free</p>

PIN CONFIGURATION



SOT-25

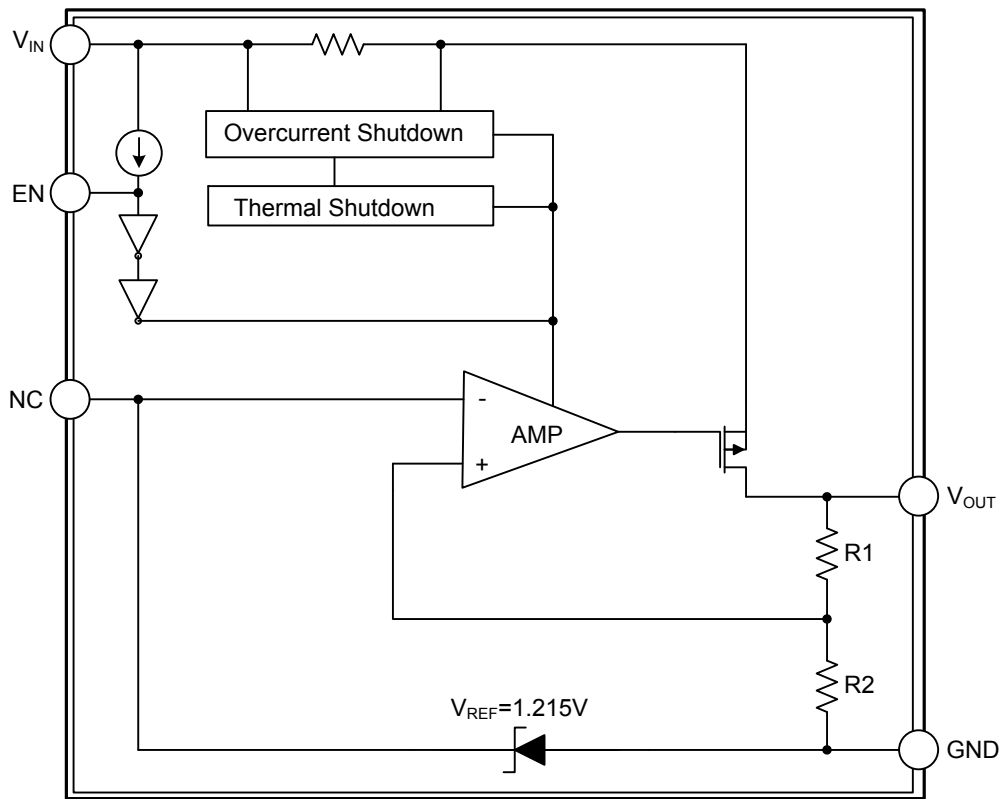


SOT-26

PIN DESCRIPTION

PACKAGE	PIN NO.	PIN NAME	DESCRIPTION
SOP-25	1	V _{IN}	Input for voltage input. A 1μF or greater capacitor should be placed in this pin.
	2	GND	Ground.
	3	EN	Enable pin. Pulling his pin low, can shut down the PMOS pass transistor, and the current consuming can be set less than 1μA.
	4	NC	
	5	V _{OUT}	Output voltage pin. The capacitor which connected between this pin and GND should be decoupled with a 1μF or a greater value low ESR ceramic capacitor.
SOP-26	1	SENSE	Remote Sense.
	2	GND	Ground.
	3	BYP	Bypass capacitor for noise reduction.
	4	EN	Enable Input.
	5	VDD	Supply Input.
	6	V _{OUT}	Output Voltage.

■ BLOCK DIAGRAM



■ ABSOLUTE MAXIMUM RATING

PARAMETER	SYMBOL	RATINGS	UNIT
Input Voltage	V_{IN}	-0.3~ +8	V
Input Voltage (EN,BYP)		-0.3~ +8	V
Output Voltage	V_{OUT}	-0.3~ $V_{IN}+0.3$	V
Output Voltage	I_{OUT}	$P_D / (V_{IN} - V_{OUT})$	mA
Power Dissipation	P_D	400	mW
Junction Temperature	T_J	150	°C
Storage Temperature	T_{STG}	-65~ +150	°C

Note: Absolute maximum ratings are those values beyond which the device could be permanently damaged.
Absolute maximum ratings are stress ratings only and functional device operation is not implied.

■ RECOMMENDED OPERATING CONDITIONS

PARAMETER	SYMBOL	RATINGS	UNIT
Ambient Temperature	T_a	- 40~ +85	°C
Junction Temperature	T_J	- 40~ +125	°C
Storage Temperature	T_{STG}	-65~ +125	°C

■ THERMAL DATA

PARAMETER	SYMBOL	RATINGS	UNIT
Junction to Ambient	θ_{JA}	280	°C/W
Junction to Case (Note)	θ_{JC}	140	°C/W

Note: θ_{JC} on center of molding compound if IC has on tab

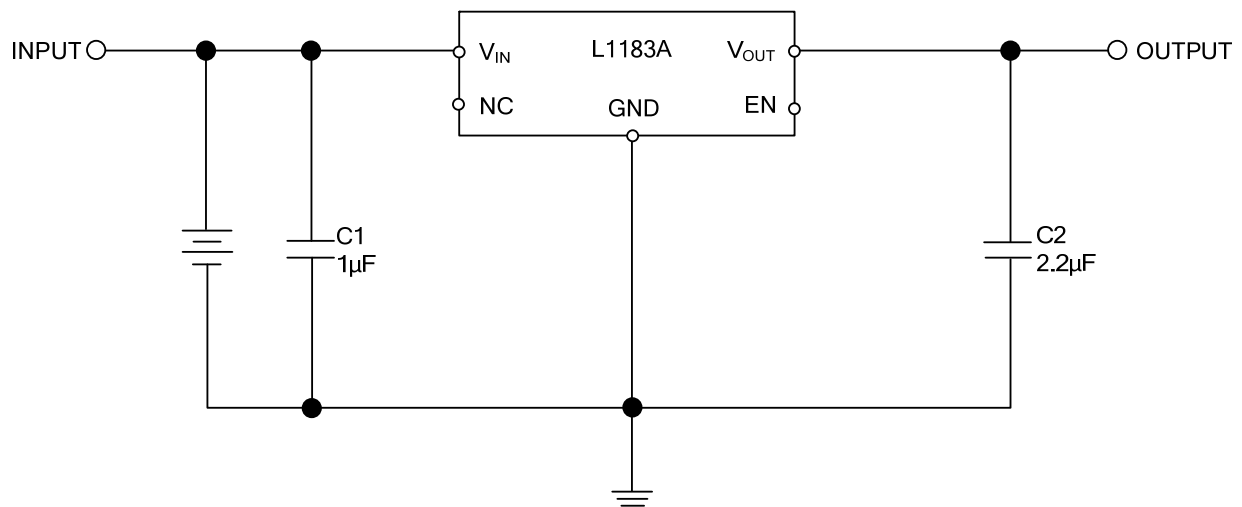
■ ELECTRICAL CHARACTERISTICS (T_a = 25°C, Unless otherwise specified)

PARAMETER	SYMBOL	TEST CONDITIONS	MIN	TYP	MAX	UNIT	
Input Voltage	V _{IN}		Note1		6.5	V	
Line Regulation	$\frac{\Delta V_{OUT}}{V_{OUT}}$	V _{IN} =V _{OUT} +1~V _{OUT} +2 I _{OUT} =1mA	1.2V≤V _{OUT} ≤1.4V	-0.2		0.2	%
			1.4V<V _{OUT} ≤2.0V	-0.15		0.15	%
			2.0V<V _{OUT} <4.0V	-0.1	0.02	0.1	%
Load Regulation	$\frac{\Delta V_{OUT}}{V_{OUT}}$	I _{OUT} =1mA~300mA	-1	0.2	1	%	
Output Voltage Accuracy		I _{OUT} =1mA	-1.5		1.5	%	
		I _{OUT} =300mA	-2.5		2.5	%	
Quiescent Current	I _Q	I _{OUT} =0mA		30	50	μA	
Dropout Voltage	V _D	I _{OUT} =300mA V _{OUT} =V _{O(NOM)} -2.0%	1.2V≤V _{O(NOM)} ≤2.0V			1300	mV
			2.4V<V _{O(NOM)} ≤2.8V			400	
			2.8V<V _{O(NOM)} <3.8V			300	
Power Supply Ripple Rejection	PSRR	I _{OUT} =100mA C _{OUT} =2.2μF	f=100Hz		60		dB
			f=1kHz		50		dB
			f=10kHz		20		dB
Output Voltage Noise	eN	I _{OUT} =10mA, C _{OUT} =2.2μF, f=10Hz~100kHz,		30		μV _{RMS}	
Output Current	I _{OUT}	V _{OUT} >1.2V	300			mA	
Current Limit	I _{LIMIT}	V _{OUT} >1.2V	300	450		mA	
Short Circuit Current (Note2)	I _{SC}	V _{OUT} <0.8V		150	300	mA	
Ground Pin Current	I _{GND}	I _{OUT} =1mA ~300mA		35		μA	
Over Temperature Shutdown	OTS			150		°C	
Over Temperature Hysteresis	OTH			30		°C	
Temperature Coefficient of Output Voltage	T _c V _O			30		ppm/°C	
EN Input Threshold	V _{EH}	V _{IN} =2.7V~6.5V	2.0		V _{IN}	V	
	V _{EL}	V _{IN} =2.7V~6.5V	0		0.4	V	
EN Input Bias Current	I _{EH}	V _{EN} =V _{IN} , V _{IN} =2.7V~6.5V			0.1	μA	
	I _{EL}	V _{EN} =0V, V _{IN} =2.7V~6.5V			0.5	μA	
Shutdown Supply Current	I _{SD}	V _{IN} =5V, V _O =0V, V _{EN} <V _{EL}		0.5	1	μA	
Shutdown Output Voltage	V _{SD}	I _O =0.4mA, V _{EN} <V _{EL}	0		0.4	V	

Notes: 1. V_{IN(MIN)} = V_{OUT} + V_D

2. To prevent the short circuit current protection feature from being prematurely activated, the input voltage must be applied before a current source load is applied.

■ TYPICAL APPLICATION CIRCUIT



UTC assumes no responsibility for equipment failures that result from using products at values that exceed, even momentarily, rated values (such as maximum ratings, operating condition ranges, or other parameters) listed in products specifications of any and all UTC products described or contained herein. UTC products are not designed for use in life support appliances, devices or systems where malfunction of these products can be reasonably expected to result in personal injury. Reproduction in whole or in part is prohibited without the prior written consent of the copyright owner. The information presented in this document does not form part of any quotation or contract, is believed to be accurate and reliable and may be changed without notice.