



## Features

- Lead Free Finish/RoHS Compliant ("P" Suffix designates RoHS Compliant. See ordering information)
- Collector-Emitter voltage:  $V_{CE0}=50V$
- Collector current up to 150mA
- High hFE linearity
- Complimentary to MMBT1015
- Epoxy meets UL 94 V-0 flammability rating
- Moisture Sensitivity Level 1
- Marking:HF

## Maximum Ratings

- Junction Temperature:  $-55^{\circ}C$  to  $+125^{\circ}C$
- Storage Temperature:  $-55^{\circ}C$  to  $+150^{\circ}C$

### ABSOLUTE MAXIMUM RATINGS $T_a= 25^{\circ}C$ Unless Otherwise Specified

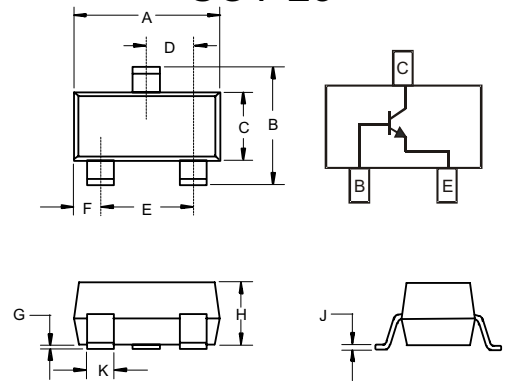
PARAMETERS	SYMBOL	VALUE	UNIT
Collector-base voltage	$V_{CBO}$	60	V
Collector-emitter voltage	$V_{CEO}$	50	V
Emitter-base voltage	$V_{EBO}$	5	V
Collector dissipation	$P_C$	200	mW
Collector current	$I_C$	150	mA
Base Current	$I_B$	50	mA

**MMBT1815-L**

**MMBT1815-H**

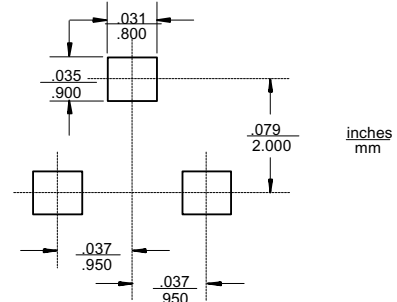
**NPN EPITAXIAL  
SILICON TRANSISTOR**

### SOT-23



DIM	INCHES		MM		NOTE
	MIN	MAX	MIN	MAX	
A	.110	.120	2.80	3.04	
B	.083	.098	2.10	2.64	
C	.047	.055	1.20	1.40	
D	.035	.041	.89	1.03	
E	.070	.081	1.78	2.05	
F	.018	.024	.45	.60	
G	.0005	.0039	.013	.100	
H	.035	.044	.89	1.12	
J	.003	.007	.085	.180	
K	.015	.020	.37	.51	

### Suggested Solder Pad Layout



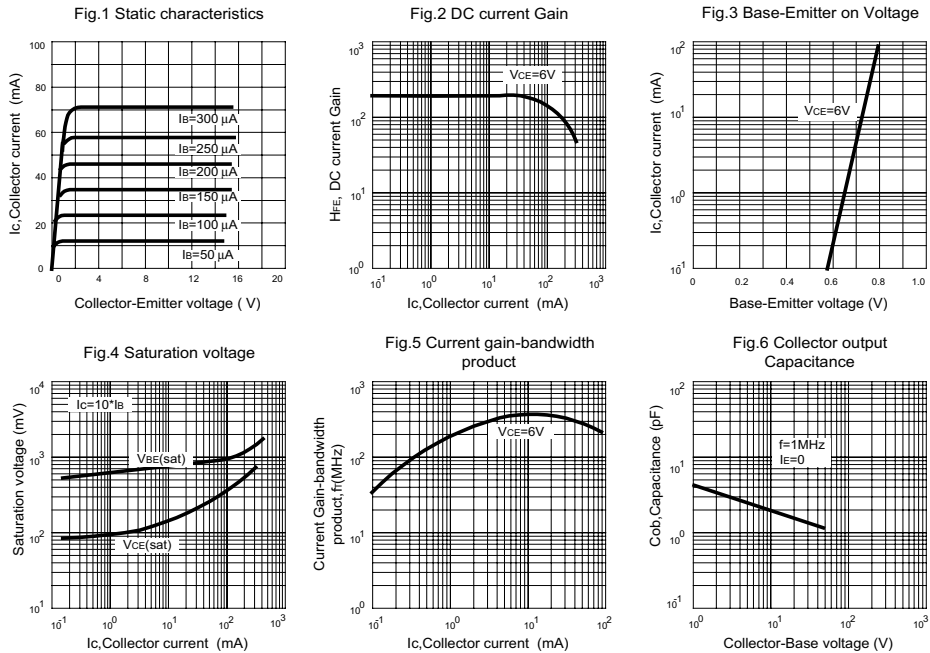
## ELECTRICAL CHARACTERISTICS $T_a = 25^\circ\text{C}$ Unless Otherwise Specified

Parameter	Symbol	Test conditions	MIN	TYP	MAX	UNIT
Collector cut-off current	$I_{CBO}$	$V_{CB}=60V, I_E=0$			100	nA
Emitter cut-off current	$I_{EBO}$	$V_{EB}=5V, I_C=0$			100	nA
DC current gain (note)	$h_{FE1}$	$V_{CE}=6V, I_C=2mA$	130		400	
Collector-emitter saturation voltage	$V_{CE(sat)}$	$I_C=100mA, I_B=10mA$		0.1	0.25	V
Base-emitter saturation voltage	$V_{BE(sat)}$	$I_C=100mA, I_B=10mA$			1.0	V
Current gain bandwidth product	$f_T$	$V_{CE}=10V, I_C=1.0mA, f=30Hz$	80			MHz
Output capacitance	$C_{ob}$	$V_{CB}=10V, I_E=0, f=1MHz$		2.0	3.0	pF
Noise Figure	NF	$I_C=0.1mA, V_{CE}=6V$ $R_G=10k\Omega, f=100Hz$		1.0	1.0	dB

## CLASSIFICATION OF $h_{FE1}$

RANK	L	H
RANGE	130-200	200-400

## TYPICAL CHARACTERISTIC CURVES





Micro Commercial Components

### Ordering Information :

Device	Packing
Part Number-TP	Tape&Reel; 3Kpcs/Reel

**\*\*\*IMPORTANT NOTICE\*\*\***

**Micro Commercial Components Corp.** reserves the right to make changes without further notice to any product herein to make corrections, modifications, enhancements, improvements, or other changes. **Micro Commercial Components Corp.** does not assume any liability arising out of the application or use of any product described herein; neither does it convey any license under its patent rights, nor the rights of others. The user of products in such applications shall assume all risks of such use and will agree to hold **Micro Commercial Components Corp.** and all the companies whose products are represented on our website, harmless against all damages.

**\*\*\*LIFE SUPPORT\*\*\***

MCC's products are not authorized for use as critical components in life support devices or systems without the express written approval of Micro Commercial Components Corporation.

**\*\*\*CUSTOMER AWARENESS\*\*\***

Counterfeiting of semiconductor parts is a growing problem in the industry. Micro Commercial Components (MCC) is taking strong measures to protect ourselves and our customers from the proliferation of counterfeit parts. MCC strongly encourages customers to purchase MCC parts either directly from MCC or from Authorized MCC Distributors who are listed by country on our web page cited below. Products customers buy either from MCC directly or from Authorized MCC Distributors are genuine parts, have full traceability, meet MCC's quality standards for handling and storage. **MCC will not provide any warranty coverage or other assistance for parts bought from Unauthorized Sources.** MCC is committed to combat this global problem and encourage our customers to do their part in stopping this practice by buying direct or from authorized distributors.

[www.mccsemi.com](http://www.mccsemi.com)