

PLEASE CHECK WWW.MOLEX.COM FOR LATEST PART INFORMATION

Part Number: **0508557312**
Status: **Active**
Description: Ring Tongue Terminal for 12 AWG, Closed Uninsulated Brazed Barrel, Stud Size 1/4" (M6), Oxygen-Free Copper, Length 21.80mm (.858")

Documents:

[Drawing \(PDF\)](#) [Product Specification PS-50855-004 \(PDF\)](#)
[Product Specification PS-50855-002 \(PDF\)](#) [RoHS Certificate of Compliance \(PDF\)](#)

Agency Certification

UL E134962

General

Product Family Ring and Spade Terminals
 Series [50855](#)
 Crimp Quality Equipment Yes
 Mil-Spec N/A
 Product Name R (Ring)
 Type Ring

Physical

Barrel Type Closed - Brazed
 Insulation None
 Material - Plating Mating Tin
 Packaging Type Bag
 Plating min: Mating (µin) 40
 Plating min: Mating (µm) 1
 Plating min: Termination (µin) 40
 Plating min: Termination (µm) 1
 Stud Size 1/4" (M6)
 Termination Interface: Style Crimp or Compression
 Wire Size AWG 12
 Wire Size mm² 2.63 - 4.60

Material Info

Reference - Drawing Numbers

Product Specification PS-50855-002, PS-50855-004
 Sales Drawing SD-50855-001



Series
image - Reference only

EU RoHS

ELV and RoHS Compliant
REACH SVHC
 Not Reviewed
Halogen-Free Status
Not Reviewed

China RoHS



Need more information on product environmental compliance?

Email productcompliance@molex.com
 For a multiple part number RoHS Certificate of Compliance, [click here](#)

Please visit the [Contact Us](#) section for any non-product compliance questions.

Search Parts in this Series

50855Series

Application Tooling | [FAQ](#)

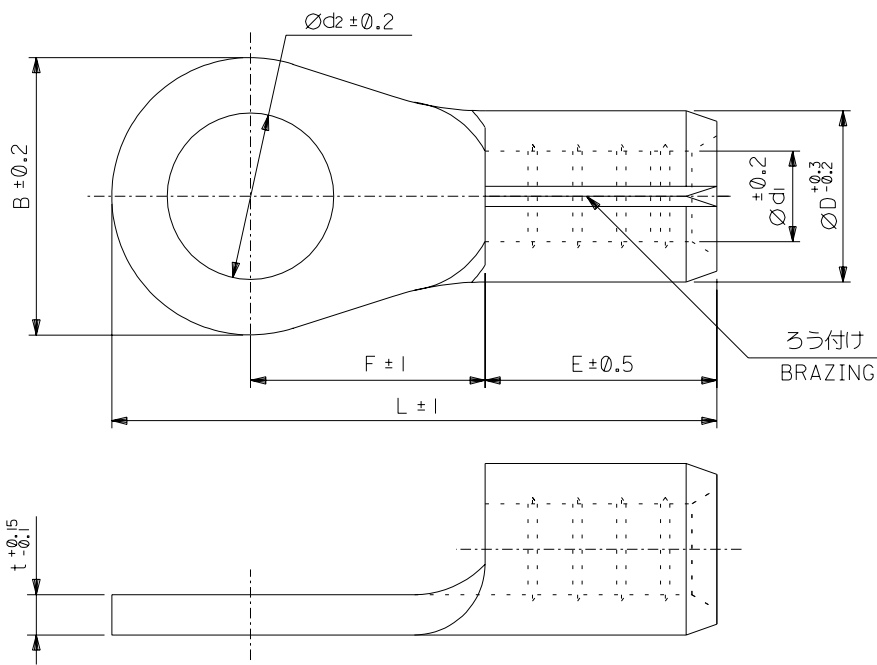
Tooling specifications and manuals are found by selecting the products below. Crimp Height Specifications are then contained in the Application Tooling Specification document.

Japan

Description	Product #
Hand Crimper For JIS Terminal	0572575000
Air Type Hand Crimper For JIS Terminal	0573439005

DO NOT SCALE DRAWING

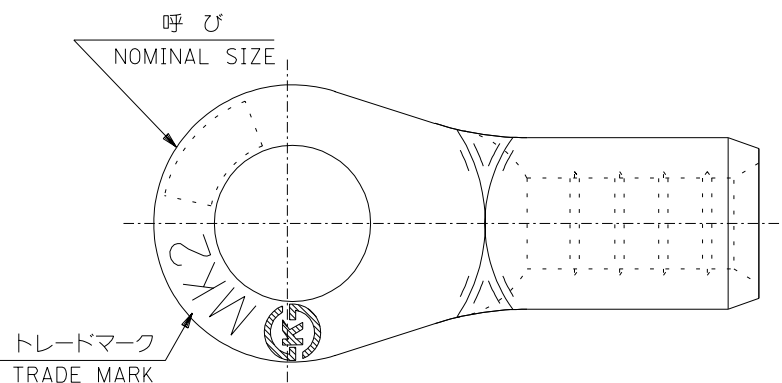
DWG. NO. SD-50855-001



注記 NOTES

- 材質 MATERIAL
 端子: 無酸素銅、スズメッキ
 TERMINAL: OXYGEN FREE COPPER, TIN PLATING
 ろう付け部: リン銅ろう
 PART OF BRAZING: COPPER PHOSPHORUS BRAZING FILLER METALS
- 適用電線 APPLICABLE WIRE RANGE

単線 SOLID WIRE	撚線 STRANDED WIRE
1.82-2.4 mm	2.63-4.6 mm ²



1	3	5	5.3	12.5	25	14.5	10.5	3.5	10	50855-7512
				10.5	21.8	12	8.4		8	-7412
t	Ød1	ØD	E	F	L	B	Ød2	呼 び NOMINAL SIZE	6	-7312
									5	-7212
									4	-7112
									3	50855-7012
										MATERIAL NO.

64 NO. DRWN: CH'K: APPR:	63 NO. DRWN: CH'K: APPR:	62 NO. DRWN: CH'K: APPR:	61 NO. DRWN: CH'K: APPR:	RELEASED 60 NO. J2004-0411 DRWN: T.KAIHO 03/09/03 CH'K: T.ITO APPR: T.O.YAMAGUCHI	MATERIAL 材料 注記参照 SEE NOTES	GENERAL TOLERANCES: (UNLESS SPECIFIED) 一般公差 10 UNDER 未満 ±0.2 10 OVER 30 UNDER 未満 ±0.25 30 OVER 以上 ±0.3	SCALE 1:1 DESIGN UNITS <input checked="" type="checkbox"/> mm <input type="checkbox"/> INCH	MODEL NO. 50855-7*12 DIMENSIONS: <input type="checkbox"/> mm <input type="checkbox"/> INCH <input checked="" type="checkbox"/> mm ONLY	DRAWN BY & DATE T.KAIHO 03/09/03 CHECKED BY & DATE T.ITO 03/09/03 APPROVED BY & DATE T.O.YAMAGUCHI 03/09/03	SHT 1 REV
WIRE RANGE 適用電線範囲 — — INS. RANGE 被覆外径 — —					FINISH 仕上げ 注記参照 SEE NOTES			TITLE: RING TERMINAL(銅線用裸圧着端子)		
					ANGLE 角度 ±3°			MOLEX MOLEX INCORPORATED MATERIAL NO. SEE CHART DRAWING NO. SD-50855-001 SHEET NO. 1 OF 1		

THIS DRAWING CONTAINS INFORMATION THAT IS PROPRIETARY TO MOLEX INCORPORATED AND SHOULD NOT BE USED WITHOUT WRITTEN PERMISSION.

A