

# HITACHI

KAOHSIUNG HITACHI  
ELECTRONICS CO.,LTD  
P.O. BOX 26-27  
2,13TH EAST ST. K.E.P.Z.  
KAOHSIUNG TAIWAN R.O.C.  
TEL:(07) 8211101(10 LINE)  
TELEX:81903 KHE  
FAX:(07) 821-5860

FOR MESSRS. \_\_\_\_\_

DATE. Sep.05.2001

## CUSTOMER'S ACCEPTANCE SPECIFICATIONS

### SP14N001-Z1 C O N T E N T S

No.	ITEM	SHEET No.	PAGE
1	COVER	7B64PS 2701- SP14N001-Z1-2	1-1/1
2	RECORD OF REVISION	7B64PS 2702- SP14N001-Z1-2	2-1/1
3	GENERAL SPECIFICATION	7B64PS 2703- SP14N001-Z1-2	3-1/1
4	ABSOLUTE MAXIMUM RATINGS	7B64PS 2704- SP14N001-Z1-2	4-1/1
5	ELECTRICAL CHARACTERISTICS	7B64PS 2705- SP14N001-Z1-2	5-1/2~2/2
6	OPTICAL CHARACTERISTICS	7B64PS 2706- SP14N001-Z1-2	6-1/2~2/2
7	BLOCK DIAGRAM	7B64PS 2707- SP14N001-Z1-2	7-1/1
8	INTERFACE TIMING	7B64PS 2708- SP14N001-Z1-2	8-1/2~2/2
9	OUTLINE DIMENSIONS	7B63PS 2709- SP14N001-Z1-2	9-1/3~3/3
10	QUALITY STANDARD	7B64PS 2710- SP14N001-Z1-2	10-1/3~3/3
11	PRECAUTION IN DESIGN	7B64PS 2711- SP14N001-Z1-2	11-1/3~3/3
12	DESIGNATION OF LOT MARK	7B64PS 2712- SP14N001-Z1-2	12-1/1
13	PRECAUTION FOR USE	7B64PS 2713- SP14N001-Z1-2	13-1/1

- \* WHEN PRODUCT WILL BE DISCONTINUED , CUSTOMER WILL BE INFORMED BY HITACHI WITH TWELVE MONTHS PRIOR ANNOUNCEMENT.
- \* THIS PRODUCT IS INHIBITED TO APPLY IN ANY LIFE SUPPORT INSTRUMENT.

ACCEPTED BY; \_\_\_\_\_

PROPOSED BY; H.T. Chen

## RECORD OF REVISION

DATE	SHEET No.	SUMMARY
Sep.05.2001	7B64PS 2709- SP14N001-Z1-2 PAGE 9-3/3	CHANGED: CN1:PIN FUNCTIONS CONNECTOR:MOLEX/52103-2617→MOLEX/52207-2690

### 3. GENERAL SPECIFICATIONS

(1) PART NAME	SP14N001-Z1
(2) OUTER DIMENSIONS	159.4(W)mm×101.0(H)mm×11.0(D)mm(max.)
(3) EFFECTIVE DISPLAY AREA	123 mm min. × 68 mm min
(4) DOT SIZE	0.48(W)min. × 0.48(H)min
(5) DOT PITCH	0.50(W)mm × 0.50(H)mm
(6) DOT NUMBER (RESOLUTION)	240 (W) × 128 (H)
(7) DUTY RATIO	1/128
(8) LCD TYPE	TRANSMISSIVE TYPE F-STN WITH ANTI-GLARE TYPE UPPER POLARIZER
(9) VIEWING DIRECTION	6 O'CLOCK
(10) BACK LIGHT TYPE	COLD CATHODE FLUORESCENT LAMP.
(11) LCD CONTROLLER	T6963C / TOSHIBA

## 4. ABSOLUTE MAXIMUM RATINGS

### 4.1 ELECTRICAL ABSOLUTE MAXIMUM RATINGS.

VSS=0V:STANDARD

ITEM	SYMBOL	MIN.	MAX.	UNIT	COMMENT
POWER SUPPLY FOR LOGIC	VDD-VSS	0	7.0	V	
INPUT VOLTAGE	$V_i$	-0.3	VDD+0.3	V	NOTE 1
INPUT CURRENT	$I_i$	0	1	A	
STATIC ELECTRICITY	VESD0	-	+/-100	V	NOTE 1,2,3
	VESD1	-	+/-10	KV	NOTE 1,2,4

NOTE (1) : MAKE CERTAIN YOU ARE GROUNDED WHEN HANDLING LCM.

NOTE (2) : ENERGY STORAGE CAPACITANCE 200PF , DISCHARGE RESISTANCE 250Ω  
 $T_a=25^{\circ}\text{C}$  , 60%RH.

NOTE (3) : CONTACT DISCHARGE TO I/F CONNECTOR PINS.

NOTE (4) : CONTACT DISCHARGE TO FRONT METAL BEZEL.

### 4.2 ENVIRONMENTAL ABSOLUTE MAXIMUM RATINGS.

ITEM	OPERATING		STORAGE		COMMENT
	MIN.	MAX.	MIN.	MAX.	
AMBIENT TEMPERATURE	-10°C	60°C	-20°C	70°C	NOTE 2,3
HUMIDITY	NOTE 1		NOTE 1		WITHOUT CONDENSATION
VIBRATION	-	2.45m/s <sup>2</sup> (0.25G)	-	11.76m/s <sup>2</sup> (1.2G) NOTE 5	NOTE 4 1 HOUR MAX.
SHOCK	-	29.4m/s <sup>2</sup> (3 G)	-	490.0m/s <sup>2</sup> (50 G) NOTE 5	XYZ DIRECTIONS
CORROSIVE GAS	NOT ACCEPTABLE		NOT ACCEPTABLE		

NOTE (1)  $T_a \leq 40^{\circ}\text{C}$  : 85%RH max.

$T_a > 40^{\circ}\text{C}$  : ABSOLUTE HUMIDITY MUST BE LOWER.  
 THAN THE HUMIDITY OF 85%RH AT 40°C

NOTE (2)  $T_a$  AT  $-20^{\circ}\text{C}$  ——< 48HRS, AT  $60^{\circ}\text{C}$  < 168HRS.

NOTE (3) BACKGROUND COLOR CHANGES SLIGHTLY DEPENDING ON AMBIENT TEMPERATURE. THIS PHENOMENON IS REVERSIBLE.

NOTE (4) 5Hz~100Hz (EXCEPT RESONANCE FREQUENCY)

NOTE (5) THIS MODULE SHOULD BE OPERATED NORMALLY AFTER FINISH THE TEST.

NOTE (6) WHEN LCM WILL BE OPERATED AT  $0^{\circ}\text{C}$  , THE LIFE TIME OF CFL WILL BE REDUCED. NEED TO MAKE SURE OF VALUE OF THE CHARACTERISTICS OF INVERTER. ALSO THE RESPONSE TIME AT  $0^{\circ}\text{C}$  WILL BE SLOWER.

NOTE (7) THERE ARE POSSIBILITY THAT COLOR NON-UNIFORMITY HAPPENED WHILE OPERATING AT OVER  $40^{\circ}\text{C}$ .

## 5. ELECTRICAL CHARACTERISTICS

### 5.1 ELECTRICAL CHARACTERISTICS

ITEM	SYMBOL	CONDITION	MIN.	TYP.	MAX.	UNIT
POWER SUPPLY VOLTAGE FOR LOGIC	VDD-VSS	-	(4.75)	5.0	(5.25)	V
LC DRIVER CIRCUIT POWER SUPPLY VOLTAGE	VEE-VSS	-	-15.5	-15.0	-14.5	V
INPUT VOLTAGE	VI	H LEVEL	0.8VDD	-	VDD	V
		L LEVEL	0	-	0.2VDD	V
POWER SUPPLY CURRENT FOR LOGIC NOTE 1	IDD	VDD-VSS=5.0V	-	(11.7)	(14.0)	mA
POWER SUPPLY CURRENT FOR LCD NOTE 1	IEE	VDD-VSS=5.0V	-	(2.5)	(4.0)	mA
RECOMMENDED LC DRIVING VOLTAGE NOTE 2	VDD-V0	Ta= 0°C , $\phi= 0^\circ$	-	(16.9)	-	V
		Ta=25°C , $\phi=0^\circ$	-	(15.8)	-	V
		Ta=50°C , $\phi=0^\circ$	-	(15.2)	-	V

NOTE 1 VDD-V0=(15.8)V , Ta=25°C

NOTE 2 RECOMMENDED LC DRIVING VOLTAGE MAY FLUCTUATE ABOUT +/-1.0V BY EACH MODULE TEST PATTEN IS ALL "Q".

### 5.2 ELECTRICAL CHARACTERISTICS OF BACKLIGHT

ITEM	SYMBOL	MIN.	TYP.	MAX.	UNIT	NOTE
LAMP VOLTAGE	VL	-	(300)	-	Vrms	Ta=25°
FREQUENCY	fL	-	(70)	(85)	kHz	Ta=25°C
LAMP CURRENT	IL	(4)	(5)	(6)	mArms	Ta=25°C
STARTING DISCHARGE VOLTAGE	VS NOTE 2	(1000)	-	-	Vrms	Ta=25°C

PLEASE CERTAINLY INFORM HITACHI BEFORE DESIGNING LAMP DRIVE CIRCUIT ACCORDING TO THE ABOVE SPECIFICATIONS.

NOTE 1 PLEASE MAKE SURE THAT YOUR INVERTER IS DESIGNED TO MEET THE ABOVE SPECIFICATIONS.

NOTE 2 STARTING DISCHARGE VOLTAGE IS INCREASED WHEN LCM IS OPERATING AT LOWER TEMPERATURE  
PLEASE CHECK THE CHARACTERISTICS OF YOUR INVERTER BEFORE APPLING TO YOUR SET.

NOTE 3 AVERAGE LIFE TIME OF CFL WILL BE DECREASED WHEN LCM IS OPERATING AT LOWER TEMPERATURE.

NOTE 4 UNDER LOWER DRIVING FREQUENCY OF AN INVERTER ,A CERTAIN BACKLIGHT SYSTEM (CFL & CFL REFLECTION SHEET) MAY GENERATE A SOUND NOISE.

NOTE 5 WHEN ICFL IS USED OVER 5.5mA ,IT MAY CAUSE UNEVEN CONTRAST NEAR CFL LOCATION ,DUE TO HEAT DISPERSION FROM CFL.

# 6. OPTICAL CHARACTERISTICS

## 6.1 OPTICAL CHARACTERISTICS

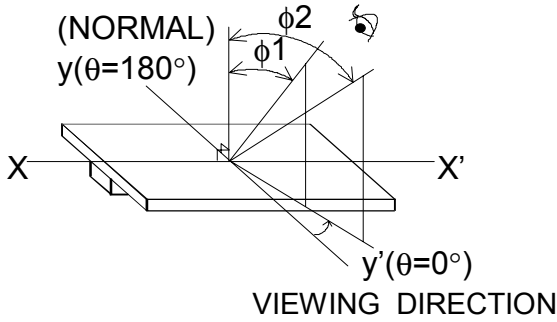
Ta=25°C(BACKLIGHT ON)

ITEM	SYMBOL	CONDITIONAL	MIN.	TYP.	MAX.	UNIT	NOTE
VIEWING AREA	$\phi 2-\phi 1$	$K \geq 2.0$	-	40	-	deg	1,2
CONTRAST RATIO	K	$\phi=0^\circ, \theta=0^\circ$	-	(20)	-	-	3
RESPONSE TIME (RISE)	tr	$\phi=0^\circ, \theta=0^\circ$	-	(120)	-	ms	4
RESPONSE TIME (FALL)	tf	$\phi=0^\circ, \theta=0^\circ$	-	(150)	-	ms	4

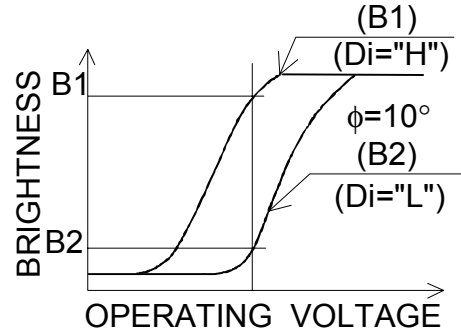
(MEASURE CONDITION BY HITACHI)

NOTE 1. DEFINITION OF  $\theta$  AND  $\phi$

NOTE 3. DEFINITION OF CONTRAST "K"

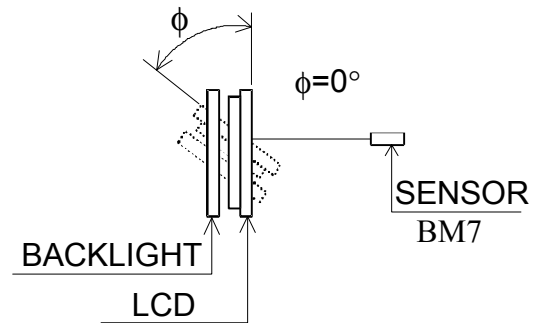
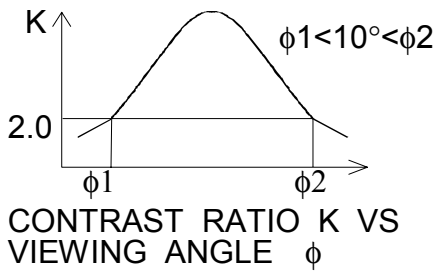


$$K = \frac{\text{BRIGHTNESS ON SELECTED DOT (B1)}}{\text{BRIGHTNESS ON NON-SELECTED DOT (B2)}}$$

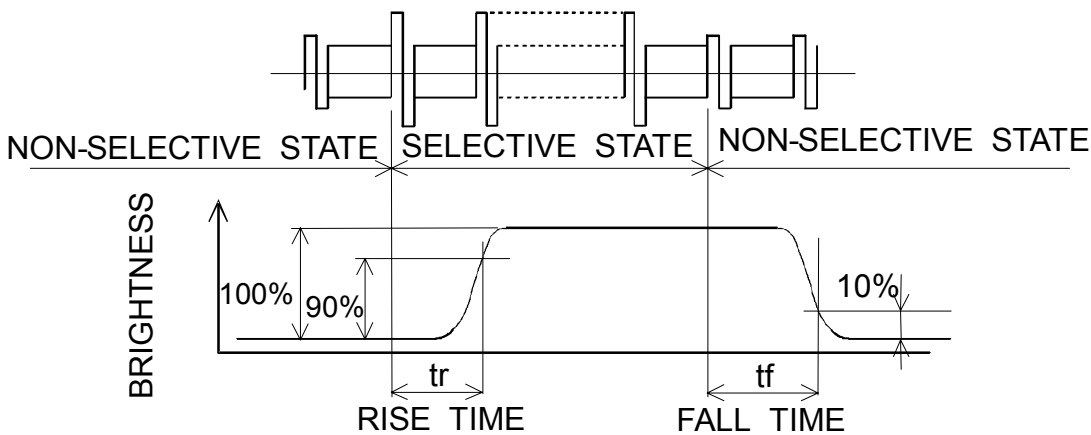


NOTE 2. DEFINITION OF VIEWING ANGLE

$\phi 1$  AND  $\phi 2$ .



NOTE 4. DEFINITION OF OPTICAL RESPONSE



## 6.2 OPTICAL CHARACTERISTICS OF BACKLIGHT

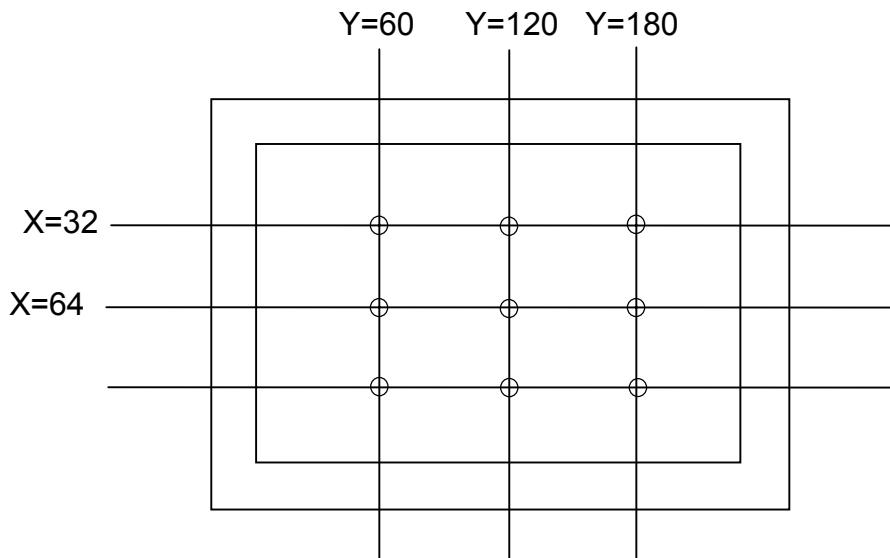
I T E M	MIN.	TYP.	MAX.	UNIT	NOTE
BRIGHTNESS	(120)	150	-	cd/m <sup>2</sup>	IL=(5mA) NOTE 1,2
RISE TIME	-	5	-	MINUTE	IL=(5mA) BRIGHTNESS 80%
BRIGHTNESS UNIFORMITY	-	-	+/-30	%	UNDERMENTIONED NOTE 1,3

CFL : INITIAL, Ta=25°C, VDD-V0=(16.3)V  
DISPLAY DATA SHOULD BE ALL "ON".

NOTE 1. MEASUREMENT AFTER 10 MINUTES OF CFL OPERATING.

NOTE 2. BRIGHTNESS CONTROL : 100%

NOTE 3. MEASURE OF THE FOLLOWING 9 PLACES ON THE DISPLAY.

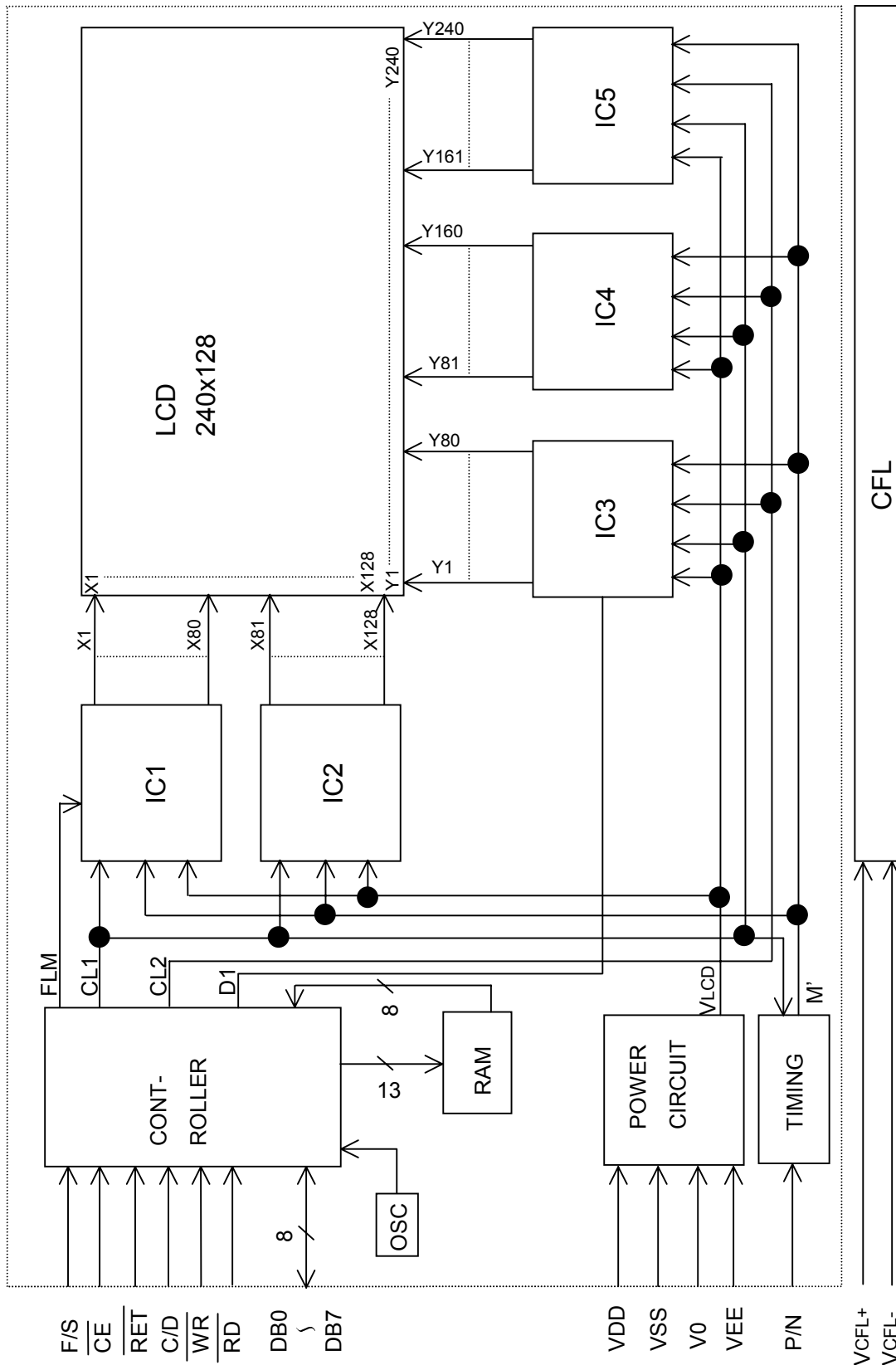


DEFINITION OF THE BRIGHTNESS TOLERANCE.

$$\left( \frac{\text{MAX OR MIN BRIGHTNESS} - \text{AVERAGE BRIGHTNESS}}{\text{AVERAGE BRIGHTNESS}} \right) \times 100\%$$

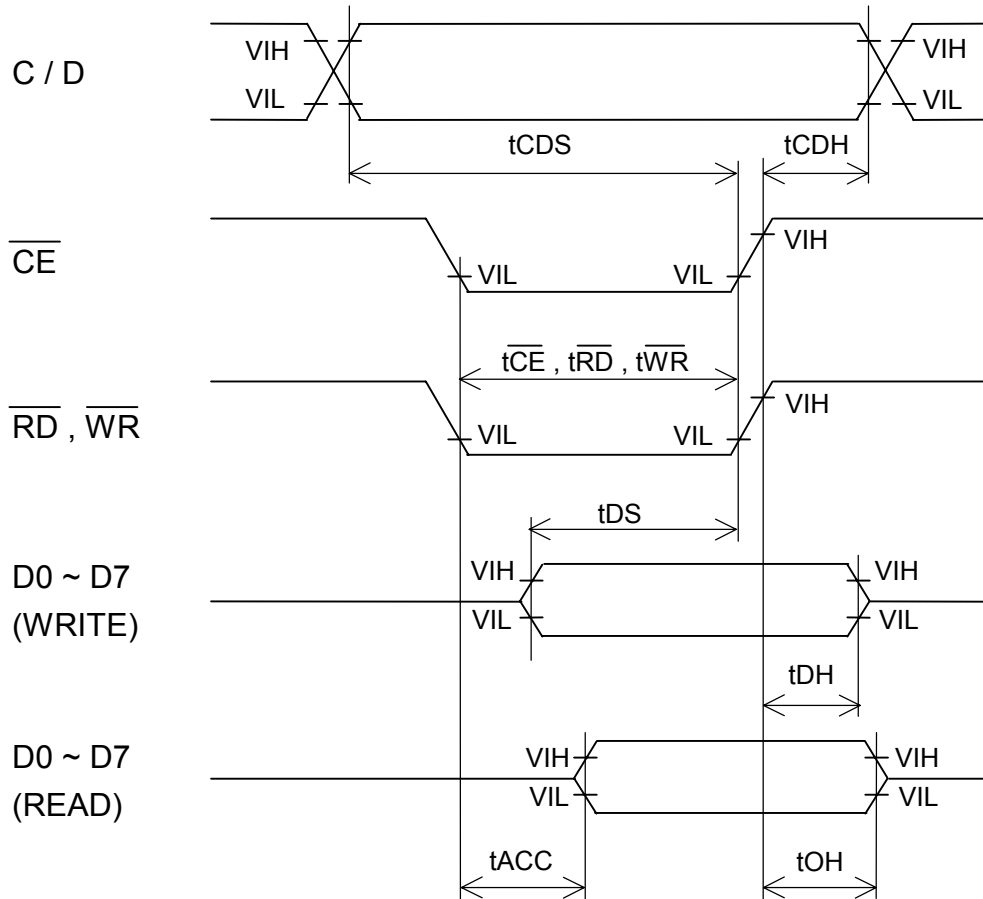


# 7. BLOCK DIAGRAM

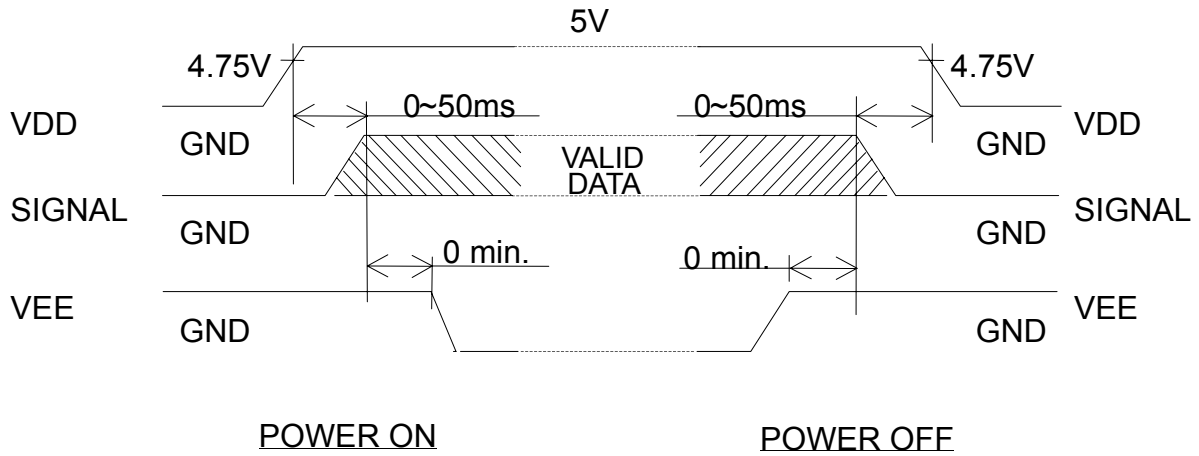


## 8. INTERFACE TIMING CHART

ITEM	SYMBOL	MIN.	TYP.	MAX.	UNIT
C / D SETUP TIME	tCDS	100	-	-	ns
C / D HOLD TIME	tCHD	10	-	-	ns
CE, RD, WR PULSE WIDTH	tCE, tRD, tWR	80	-	-	ns
DATA SETUP TIME	tDS	80	-	-	ns
DATA HOLD TIME	tDH	40	-	-	ns
ACCESS TIME	tACC	-	-	150	ns
OUTPUT HOLD TIME	tOH	10	-	50	ns



## 8.2 TIMING OF POWER SUPPLY AND INTERFACE SIGNAL

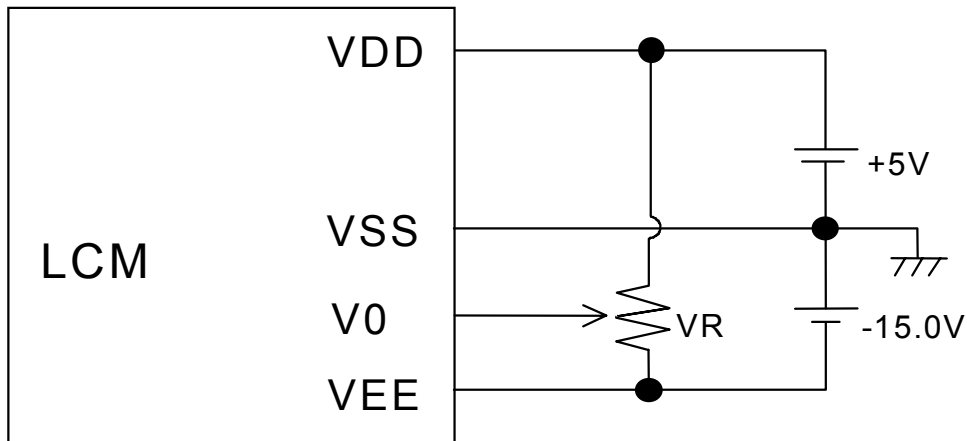


RECOMMEND:

VR:10~20Ω

VDD-V<sub>0</sub>:LCD DRIVING VOLTAGE

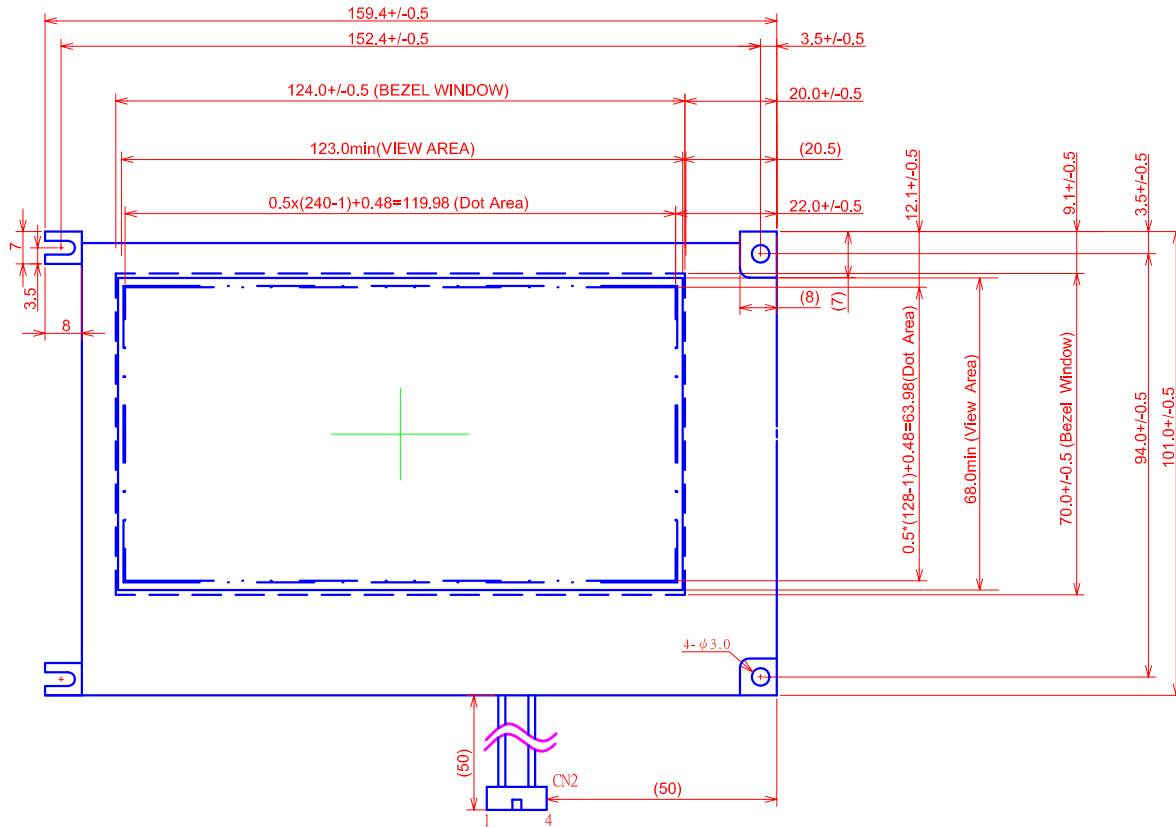
## 8.3 POWER SUPPLY FOR LCM (EXAMPLE)



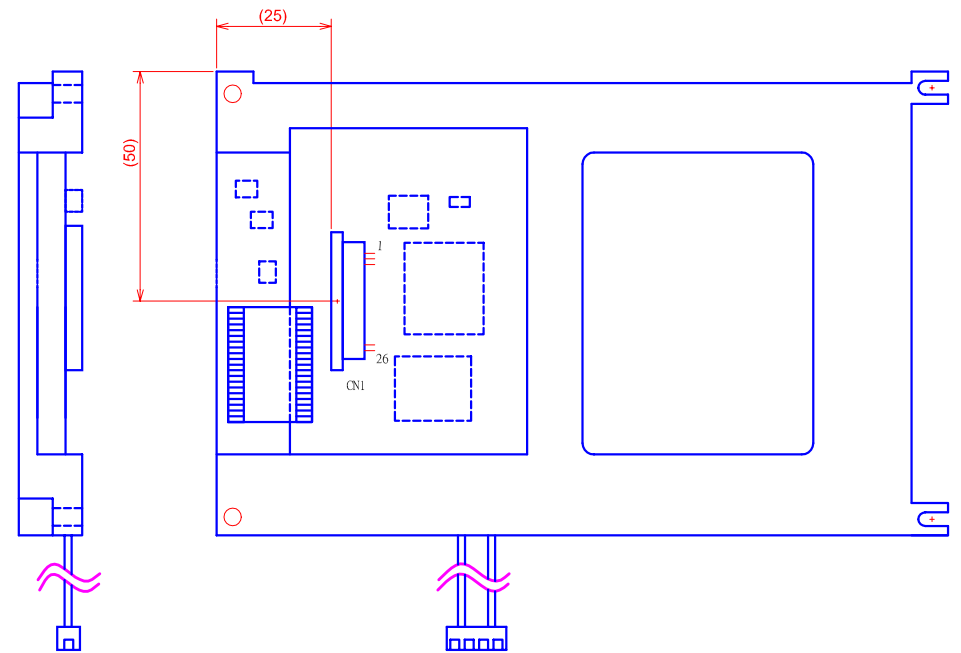
VR:10~20Ω

VDD-V<sub>0</sub>:LCD DRIVING VOLTAGE

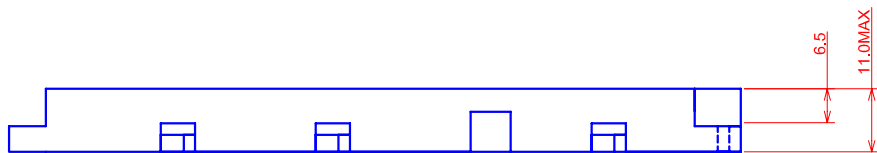
9. DIMENSIONAL OUTLINE  
 9.1 DIMENSIONAL OUTLINE



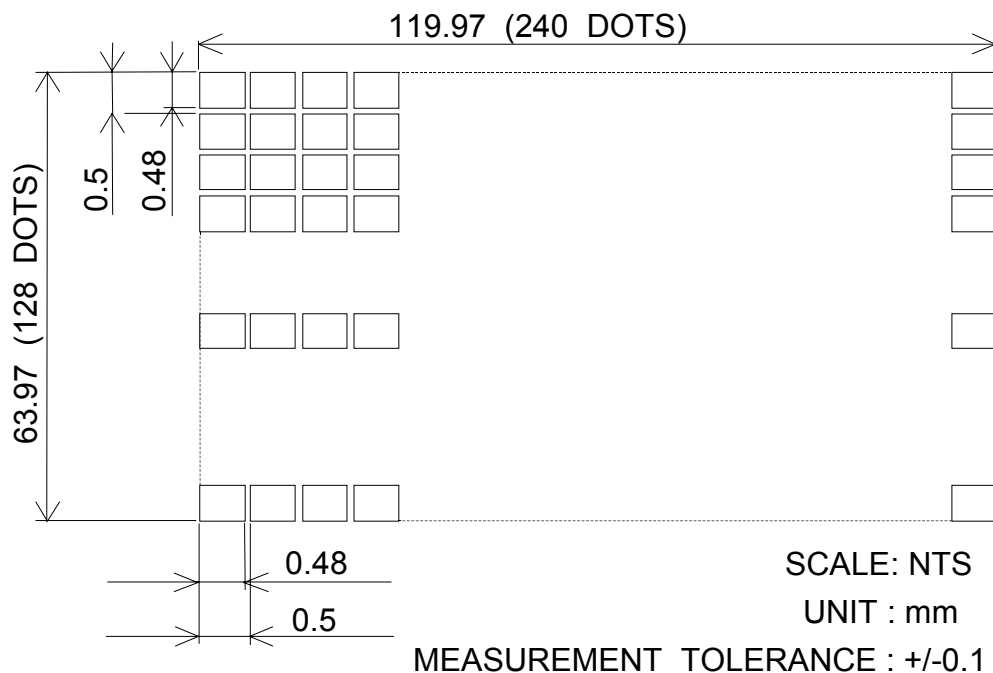
FRONT VIEW



REAR VIEW



9.2 DISPLAY PATTERN



### 9.3 INTERNAL PIN CONNECTION

CN1 : PITCH 1.0mm 26PINS CONNECTOR (Molex : 52207-2690)

PIN No.	SYMBOL	FUNCTION
1	VSS(0V)	GROUND
2	VDD(+5V)	POWER SUPPLY FOR LOGIC
3	V0(Input)	POWER SUPPLY FOR LCD DRIVE
4	C/D	$\overline{\text{WR}}=\text{"L"}$ : C/D="H" COMMAND WRITE $\overline{\text{C/D}}=\text{"L"}$ DATA WRITE $\overline{\text{RD}}=\text{"L"}$ : C/D="H" STATUS READ $\overline{\text{C/D}}=\text{"L"}$ DATA RWAD
5	$\overline{\text{WR}}$	DATA WRITE (DATA WRITE AT "L")
6	$\overline{\text{RD}}$	DATA READ (READ DATA AT "L")
7	DB0	DATA BUS
8	DB1	
9	DB2	
10	DB3	
11	DB4	
12	DB5	
13	DB6	
14	DB7	
15	$\overline{\text{CE}}$	CHIP ENABLE ( $\overline{\text{CE}}$ -MUST BE "L")
16	$\overline{\text{RET}}$	RESET
17	VEE	POWER SUPPLY FOR LCD DRIVE
18	$\overline{\text{D.OFF}}$	NC/DISPLAY , GND/DISPLAY OFF
19	F/S	CHARACTER FONT SELECT : F/S="H" 6*8FONT F/S="L" 8*8FONT
20	P/N	DISPLAY MODE REVERSE.
21	NC	NO CONNECTION
22	NC	NO CONNECTION
23	NC	NO CONNECTION
24	NC	NO CONNECTION
25	NC	NO CONNECTION
26	NC	NO CONNECTION

CN2 : MITSUMI M63M83 – 04

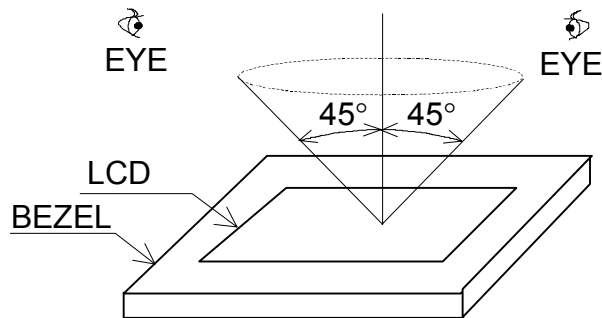
SUITABLE CONNECTOR : MITSUMI M61M73 - 04

INTERFACE	PIN No.	SYMBOL	FUNCTION
LCM CN2	1	GND	CFL GROUND
	2	NC	NO CONNECTION
	3	NC	NO CONNECTION
	4	H.V.	POWER SUPPLY FOR CFL

## 10. APPEARANCE STANDARD

10.1 APPEARANCE INSPECTION CONDITIONS (IN THE EFFECTIVE VIEWING AREA) VISUAL INSPECTION SHOULD BE UNDER THE FOLLOWING CONDITION.

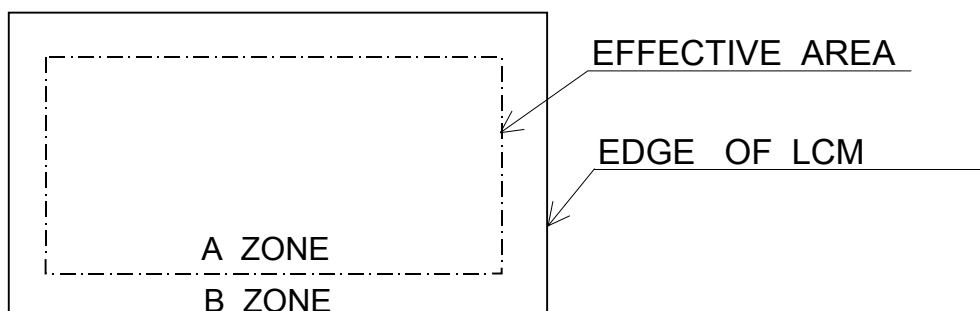
- (1) IN THE DARK ROOM.
- (2) WITH CFL PANEL LIGHTED WITH PRESCRIBED INVERTER CIRCUIT.
- (3) WITH EYE TO LCD DISTANCE IS 25CM.
- (4) VIEWING ANGLE WITHIN 45 DEGREES FROM THE PERPENDICULAR TO THE CENTER LCD.



### 10.2 DEFINITION OF EACH ZONE

A ZONE : WITHIN THE VIEWING AREA SPECIFIED AT PAGE 9-1/2 OF THIS DOCUMENT.

B ZONE : AREA BETWEEN THE EDGE LINE OF LCD GLASS AND THE VIEWING AREALINE SPECIFIED AT PAGE 9-1/2 OF THIS DOCUMENT.



10.3 APPEARENCE SPECIFICATION

\*) IF A PROBLEM OCCURS IN RESPECT TO ANY OF THESE ITEMS , RESPONSIBLES OF BOTH PARTIES (CUSTOMER AND HITACHI) WILL DISCUSS IN MORE DETAIL.

No.	ITEM	CRITERIA			A	B	
L  C  D	SCRATCHES	DISTINGUISHED ONE IS NOT ACCEPTABLE (TO BE JUDGED BY HITACHI LIMIT SAMPLE)			*	-	
	DENT	SAME AS ABOVE			*	-	
	WRINKLES IN POLARIZER	SAME AS ABOVE			*	-	
	BUBBLES	AVERAGE DIAMETER D(mm)		MAXIMUM NUMBER ACCEPTABLE		O	-
		D<=0.2		IGNORE			
		0.2<D<=0.3		12			
		0.3<D<=0.5		3			
		0.5<D		NONE			
	STAINS, FOREIGN MATERIALS, DARK SPOT	FILAMENTOUS			O	-	
		LENGTH L(mm)	WIDTH W(mm)	MAXIMUM NUMBER ACCEPTABLE			
		L<=2.0	W<=0.03	IGNORE			
		L<=3.0	0.03<W<=0.05	6			
		-	0.05<W	JUDGED BY "ROUND" SHAPE			
		ROUND			O	-	
		AVERAGE DIA- METER D(mm)	MAXIMUM NUMBER ACCEPTABLE	MINIMUM SIZE			
		D<0.2	IGNORE	-			
		0.2 <=D<0.33	8	10mm			
		0.33<=D	NONE	-			
	TOTAL	FILAMENTOUS + ROUND = 10					
	THOSE WIPED OUT EASILY ARE ACCEPTABLE				O	O	
	COLOR TONE	TO BE JUDGED BY HITACHI LIMIT SAMPLE			O	-	
	COLOR UNIFORMITY	SAME AS ABOVE			O	-	
	PINHOLE	AVERAGE DIAMETER D(mm)		MAXIMUM NUMBER ACCEPTABLE		O	-
		D<=0.15		IGNORE			
		0.15<D<=0.3		10			
		C<=0.015		IGNORE			
CONTRAST IRREGULARITY (SPOT)	AVERAGE DIAMETER D(mm)	CONTRAST	MAXIMUM NUMBER ACCEPTABLE	MINIMUM SIZE	O	-	
	D<=0.25	TO BE JUDGED BY HITACHI	IGNORE	-			
	0.25<D<=0.35		10	20mm			
	0.35<D<=0.5		4	20mm			
	0.5 <D		NONE	-			

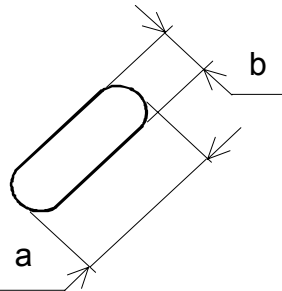


No.	ITEM	CRITERIA				A	B
L C D	CONTRAST IRREGULARITY (LINE) (FILAMENTOUS)	WIDTH D(mm)	LENGTH L(mm)	MAXIMUM NUMBER ACCEPTABLE	MINIMUM SIZE	O	-
		$W \leq 0.25$	$L \leq 1.2$	2	20mm		
		$W \leq 0.2$	$L \leq 1.5$	3	20mm		
		$W \leq 0.15$	$L \leq 2.0$	3	20mm		
		$W \leq 0.1$	$L \leq 3.0$	4	20mm		
	TOTAL	6					
	RUBBING SCRATCH	TO BE JUDGED BY HITACHI STANDARD				O	-

No.	ITEM	CRITERIA		
C F L B / L	DARK SPOTS, WHITE SPOTS FOREIGN MATERIALS (SPOT)	$D \leq 0.4$		IGNORE
		$D > 0.4$		NONE
	FOREIGN MATERIALS (LINE)	$W \leq 0.2$	$L < 2.5$	$\leq 1$
		$W \leq 0.2$	$L > 2.5$	NONE
		$W > 0.2$		NONE
	SCRATCHES	$W \leq 0.1$		IGNORE
		$0.1 < W \leq 0.2$	$L \leq 11.0$	$\leq 1$
		$0.1 < W \leq 0.2$	$L > 11.0$	NONE
		$W < 0.2$		NONE

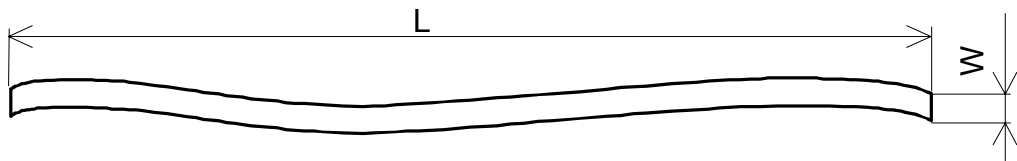
NOTE

(1) DEFINITION OF AVERAGE DIAMETER D

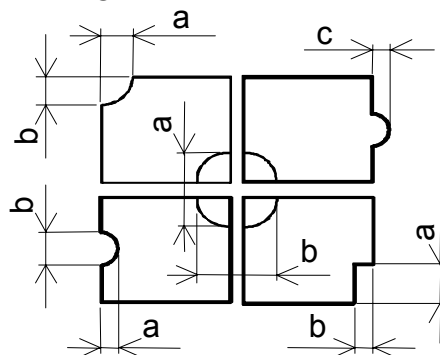


$$D = \frac{a+b}{2}$$

(2) DEFINITION OF LENGTH L AND WIDTH W



(3) DEFINITION OF PINHOLE



C : SALIENCE

## 11. PRECAUTION IN DESIGN

### 11.1 LC DRIVING VOLTAGE (VEE) AND VIEWING ANGLE RANGE.

SETTING VEE OUT OF THE RECOMMENDED CONDITION WILL BE A CAUSE FOR A CHANGE OF VIEWING ANGLE RANGE.

### 11.2 CAUTION AGAINST STATIC CHARGE

AS THIS MODULE IS PROVIDED WITH C-MOS LSI, THE CARE TO TAKE SUCH A PRECAUTION AS GROUNDING THE OPERATOR'S BODY IS REQUIRED WHEN HANDLING IT.

### 11.3 POWER ON SEQUENCE

INPUT SIGNALS SHOULD NOT BE APPLIED TO LCD MODULE BEFORE POWER SUPPLY VOLTAGE IS APPLIED AND REACHES TO SPECIFIED VOLTAGE (5V+/-0.5%).

IF ABOVE SEQUENCE IS NOT KEPT, C-MOS LSIS OF LCD MODULES MAY BE DAMAGED DUE TO LATCH UP PROBLEM.

### 11.4 PACKAGING

- (1) NO. LEAVING PRODUCT IS PREFERABLE IN THE PLACE OF HIGH HUMIDITY FOR A LONG PERIOD OF TIME. FOR THEIR STORAGE IN THE PLACE WHERE TEMPERATURE IS 35 DEGREE C OR HIGHER, SPECIAL CARE TO PREVENT THEM FROM HIGH HUMIDITY IS REQUIRED. A COMBINATION OF HIGH TEMPERATURE AND HIGH HUMIDITY MAY CAUSE THEM POLARIZATION DEGRADATION AS WELL AS BUBBLE GENERATION AND POLARIZER PEEL-OFF. PLEASE KEEP THE TEMPERATURE AND HUMIDITY WITHIN THE SPECIFIED RANGE FOR USE AND STORAGE.
- (2) SINCE UPPER/BOTTOM POLARIZERS TEND TO BE EASILY DAMAGED, THEY SHOULD BE HANDLED FULL WITH CARE SO AS NOT TO GET THEM TOUCHED, PUSHED OR RUBBED.
- (3) AS THE ADHESIVES USED FOR ADHERING UPPER/BOTTOM POLERIZERS ARE MADE OF ORGANIC SUBSTANCES WHICH WILL BE DETERIORATED BY A CHEMICAL REACTION WITH SUCH CHEMICALS AS ACETONE, TULUENE, ETHANOLE AND ISOPROPYLALCOHOL. THE FOLLOWING SOLVENTS ARE RECOMMENDED FOR USE:  
NORMAL HEXANE  
PLEASE CONTACT US WHEN IT IS NECESSARY FOR YOU TO USE CHEMICALS.
- (4) LIGHTLY WIPE TO CLEAN THE DIRTY SURFACE WITH ABSORBENT COTTON WASTE OR OTHER SOFT MATERIAL LIKE CHAMOIS , SOAKED IN THE CHAMICALS RECOMMENDED WITHOUT SCRUBBING IT HARDLY. TO PREVENT THE DISPLAY SURFACE FROM DAMAGE AND KEEP THE APPEARANCE IN GOOD STATE, IT IS SUFFICIENT, IN GENERAL, TO WIPE IT WITH ABSORBENT COTTON.

- (5) IMMEDIATELY WIPE OFF SALIVA OR WATER DROP ATTACHED ON THE DISPLAY AREA BECAUSE ITS LONG PERIOD ADHERANCE MAY CAUSE DEFORMATION OR FADED COLOR ON THE SPOT.
- (6) FOGY DEW DEPOSITED ON THE SURFACE AND CONTACT TERMINALS DUE TO COLDNESS WILL BE CAUSED FOR POLARIZER DAMAGE, STAIN AND DIRT ON PRODUCT. WHEN NECESSARY TO TAKE OUT THE PRODUCTS FORM SOME PLACE AT LOW TEMPERATURE FOR TEST, ETC. IT IS REQUIRED FOR THEM TO BE WARMED UP IN A CONTAINER ONCE AT THE TEMPERATURE HIGHER THAN THAT OF ROOM.
- (7) TOUCHING THE DISPLAY AREA AND CONTACT TERMINALS WITH BARE HANDS AND CONTAMINATING THEM ARE PROHIBITED, BECAUSE THE STAIN ON THE DISPLAY AREA AND POOR INSULATION BETWEEN TERMINALS ARE OFTEN CAUSED BY BEING TOUCHED BY BARE HANDS. (THERE ARE SOME COSMETICS DETRIMENTAL TO POLARIZERS.)
- (8) IN GENERAL THE QUALITY OF GLASS IS FRAGILE SO THAT IT TENDS TO BE CRACKED OR CHIPPED IN HANDLING, SPECIALLY ON ITS PERIPHERY. BE CAREFUL NOT TO GIVE IT SHARP SHOCK CAUSED BY DROPPING DOWN, ETC.

11.5 CAUTION FOR OPERATION

- (1) IT IS AN INDISPENSABLE CONDITION TO DRIVE LCDS WITHIN THE SPECIFIED VOLTAGE LIMIT SINCE THE HIGHER VOLTAGE THAN THE LIMIT CAUSES THE SHORTER LCD LIFE. AN ELECTROCHEMICAL REACTION DUE TO DIRECT CURRENT CAUSES LCDS UNDESIRABLE DETERIORATION, SO THAT THE USE OF DIRECT CURRENT DRIVER SHOULD BE AVOIDED.
- (2) RESPONSE TIME WILL BE EXTREMELY DELAYED AT LOWER TEMPERATURE THAN THE OPERATING TEMPERATURE RANGE AND ON THE OTHER HAND AT HIGHER TEMPERATURE LCDS SHOW DARK BULL COLOR IN THEM. HOWEVER THOSE PHENOMENA DO NOT MEAN MALFUNCTION OR OUT OF ORDER WITH LCDS WHICH WILL COME BACK IN THE SPECIFIED OPERATING TEMPERATURE RANGE.
- (3) IF THE DISPLAY AREA IS PUSHED HARD DURING OPERATION, SOME FONT WILL BE ABNORMALLY DISPLAYED BUT IT RESUMES NORMAL CONDITION AFTER TURNING OFF ONCE.
- (4) A SLIGHT DEW DEPOSITING ON TERMINALS IS A CAUSE FOR ELECTROCHEMICAL REACTION RESULTING IN TERMINAL OPEN CIRCUIT. USAGE UNDER THE RELATIVE CONDITION OF 40 DEGREE C 50%RH OR LESS IS REQUIRED.

## 11.6 STORAGE

IN CASE OF STORING FOR A LONG PERIOD OF TIME (FOR INSTANCE, FOR YEARS) FOR THE PURPOSE OF REPLACEMENT USE , THE FOLLOWING WAYS ARE RECOMMENDED.

- (1) STORAGE IN A POLYETHYLENE BAG WITH THE OPENING SEALED SO AS NOT TO ENTER FRESH AIR OUTSIDE IN IT , AND WITH NO DESICCANT.
- (2) PLACING IN A DARK PLACE WHERE NEITHER EXPOSURE TO DIRECT SUNLIGHT NOR LIGHT IS , KEEPING TEMPERATURE IN THE RANGE FROM 0 DEGREE C TO 35 DEGREE C.
- (3) STORAGE WITH NO TOUCH ON POLARIZER SURFACE BY ANYTHING ELSE. (IT IS RECOMMENDED TO STORE THEM AS THEY HAVE BEEN CONTAINED IN THE INNER CONTAINER AT THE TIME OF DELIVERY FROM US.)

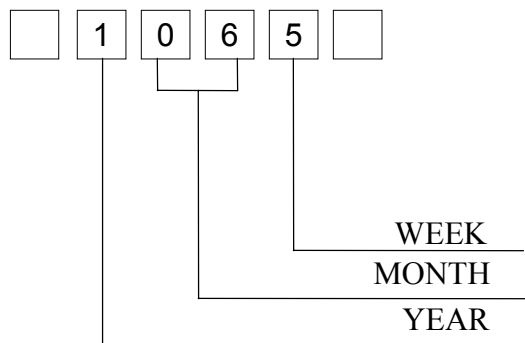
## 11.7 SAFETY

- (1) IT IS RECOMMENDABLE TO CRASH DAMAGED OR UNNECESSARY LCDS INTO PIECES AND WASH OFF LIQUID CRYSTAL BY EITHER OF SOLVENTS SUCH AS ACETONE AND ETHANOL , WHICH SHOULD BE BURNED UP LATER.
- (2) WHEN ANY LIQUID LEAKED OUT OF A DAMAGED GLASS CELL COMES IN CONTACT WITH YOUR HANDS , PLEASE WASH IT OFF WELL WITH SOAP AND WATER.

## 12. DESIGNATION OF LOT MARK

LOT MARK

LOT MARK IS CONSISTED OF 4 DIGIT NUMBER.



YEAR	FIGURE IN LOT MARK
2001	1
2002	2
2003	3
2004	4
2005	5

NOTE 1. SOME PRODUCTS HAVE ALPHABET AT THE END OR THE FIRST.

MONTH	FIGURE IN LOT MARK	MONTH	FIGURE IN LOT MARK
JAN.	01	JULY.	07
FEB.	02	AUG.	08
MAR.	03	SEPT.	09
APR.	04	OCT.	10
MAY.	05	NOV.	11
JUNE.	06	DEC.	12

WEEK (DAY IN CALENDAR)	FIGURE IN LOT MARK
01~07	1
08~14	2
15~21	3
22~28	4
29~31	5

LOCATION OF LOT MARK : ON THE BACK SIDE OF LCM

1 0 6 5 T

T : MADE IN TAIWAN.

### 13. PRECAUTION FOR USE

13.1 A LIMIT SAMPLE SHOULD BE PROVIDED BY THE BOTH PARTIES ON AN OCCASION WHEN THE BOTH PARTIES AGREED ITS NECESSITY. JUDGEMENT BY A LIMIT SAMPLE SHALL TAKE EFFECT AFTER THE LIMIT SAMPLE HAS BEEN ESTABLISHED AND CONFIRMED BY THE BOTH PARTIES.

13.2 ON THE FOLLOWING OCCASIONS, THE HANDLING OF THE PROBLEM SHOULD BE DECIDED THROUGH DISCUSSION AND AGREEMENT BETWEEN RESPONSIBLE PERSONS OF THE BOTH PARTIES.

- (1) WHEN A QUESTION IS ARISEN IN THE SPECIFICATIONS.
- (2) WHEN A NEW PROBLEM IS ARISEN WHICH IS NOT SPECIFIED IN THIS SPECIFICATIONS.
- (3) WHEN AN INSPECTION SPECIFICATIONS CHANGE OR OPERATING CONDITION CHANGE IN CUSTOMER IS REPORTED TO HITACHI, AND SOME PROBLEM IS ARISEN IN THIS SPECIFICATION DUE TO THE CHANGE.
- (4) WHEN A NEW PROBLEM IS ARISEN AT THE CUSTOMER'S OPERATING SET FOR SAMPLE EVALUATION IN THE CUSTOMER SITE.

THE PRECAUTION THAT SHOULD BE OBSERVED WHEN HANDLING LCM HAVE BEEN EXPLAINED ABOVE. IF ANY POINTS ARE UNCLEAR OR IF YOU HAVE ANY REQUEST , PLEASE CONTACT HITACHI.