

# MA4SW410B-1

## HMIC™ Silicon PIN Diode Switch with Integrated Bias Network

Rev. V4

### Features

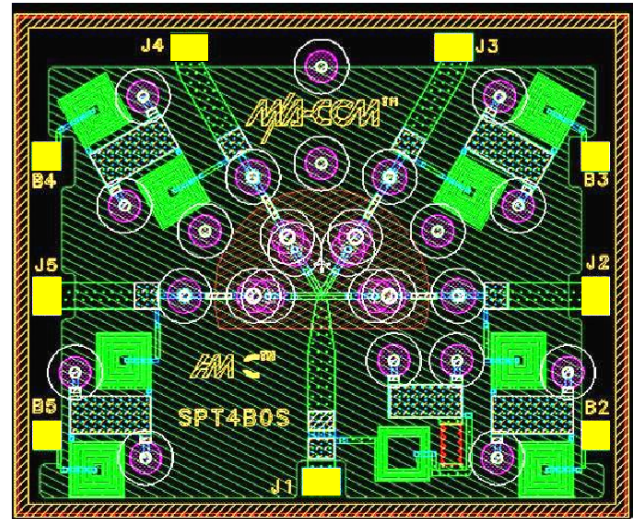
- Broad Bandwidth Specified up to 18 GHz
- Usable up to 26 GHz
- Integrated Bias Network
- Low Insertion Loss / High Isolation
- Rugged, Glass Encapsulated Construction
- Fully Monolithic
- RoHS Compliant\* and 260°C Reflow Compatible

### Description

The MA4SW410B-1 device is a SP4T broadband switch with integrated bias network utilizing M/A-COM Technology Solutions HMIC™ (Heterolithic Microwave Integrated Circuit) process, US Patent 5,268,310. This process allows the incorporation of silicon pedestals that form series and shunt diodes or vias by imbedding them in low loss, low dispersion glass. By using small spacing between elements, this combination of silicon and glass gives HMIC devices low loss and high isolation performance with exceptional repeatability through low millimeter frequencies. Large bond pads facilitate the use of low inductance ribbon bonds, while gold backside metallization allows for manual or automatic chip bonding via 80/20 - Au/Sn, 62/36/2 - Sn/Pb/Ag solders or electrically conductive silver epoxy.

### Applications

These high performance switches are suitable for use in multi-band ECM, Radar, and instrumentation control circuits where high isolation to insertion loss ratios are required. With a standard +5V/-5V, TTL controlled PIN diode driver, 80nS switching speeds can be achieved.



**Yellow areas denote wire bond pads**

Parameter	Absolute Maximum
Operating Temperature	-65°C to +125°C
Storage Temperature	-65°C to +150°C
Junction Temperature	+175°C
Applied Reverse Voltage	50V
RF Incident Power	+30dBm C.W. <sup>1</sup>
Bias Current +25°C	± 40mA

#### Note:

1. Maximum operating conditions for a combination of RF power, D.C. bias and temperature:

\* Restrictions on Hazardous Substances, European Union Directive 2002/95/EC.

**ADVANCED:** Data Sheets contain information regarding a product M/A-COM Technology Solutions is considering for development. Performance is based on target specifications, simulated results, and/or prototype measurements. Commitment to develop is not guaranteed.

**PRELIMINARY:** Data Sheets contain information regarding a product M/A-COM Technology Solutions has under development. Performance is based on engineering tests. Specifications are typical. Mechanical outline has been fixed. Engineering samples and/or test data may be available. Commitment to produce in volume is not guaranteed.

• North America Tel: 800.366.2266 • Europe Tel: +353.21.244.6400  
• India Tel: +91.80.43537383 • China Tel: +86.21.2407.1588  
Visit [www.macomtech.com](http://www.macomtech.com) for additional data sheets and product information.

M/A-COM Technology Solutions Inc. and its affiliates reserve the right to make changes to the product(s) or information contained herein without notice.

**MA4SW410B-1 (SP4T)  
Electrical Specifications @ T<sub>AMB</sub> = +25°C, 10mA Bias current**

Parameter	Frequency	Minimum	Nominal	Maximum	Units
Insertion Loss	6 GHz	-	0.80	1.0	dB
	12 GHz	-	1.00	1.2	dB
	18 GHz	-	1.40	1.6	dB
Isolation	6 GHz	40	50	-	dB
	12 GHz	35	40	-	dB
	18 GHz	30	35	-	dB
Input Return Loss	6 GHz	-	10	-	dB
	12 GHz	-	15	-	dB
	18 GHz	-	10	-	dB
Switching Speed <sup>1</sup>	-	-	80	-	ns

**Note:**

1. Typical switching speed measured from 10% to 90% of detected RF signal driven by TTL compatible drivers using RC output spiking network, R = 50 – 200Ω , C = 390 – 560pF.

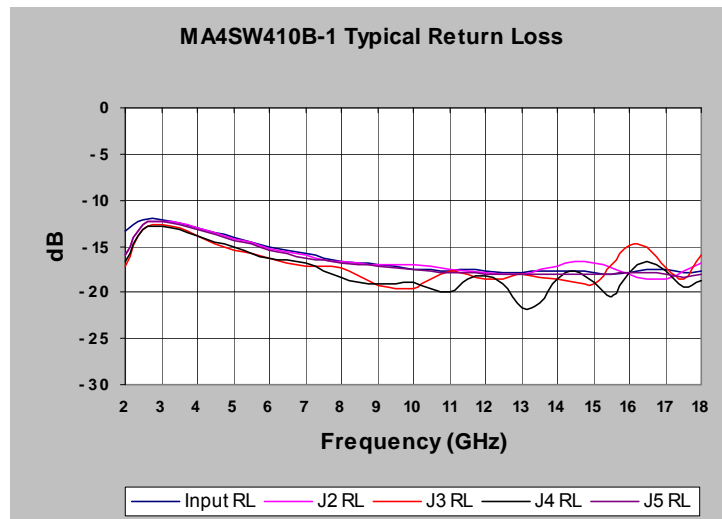
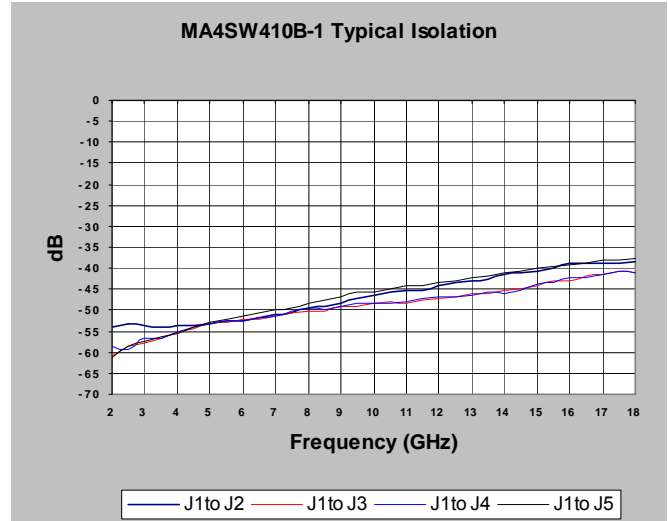
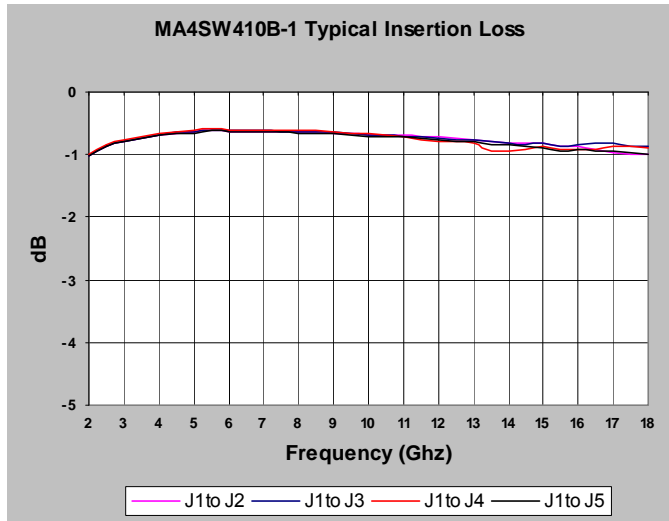
## Operation of the MA4SW410B-1

Operation of the HMIC Series of PIN switches is achieved by the simultaneous application of negative DC current to the low loss port and positive DC current to the remaining isolated switching ports per the Driver Connections table below. The control currents should be supplied by constant current sources. For insertion loss, -10mA bias results in approximately -2V, and for Isolation ,+10mA yields approximately +0.9V at the respective bias nodes. The backside area of the die is the RF and DC return ground plane.

## Driver Connections

CONTROL LEVEL (DC CURRENT)				CONDITION OF RF OUTPUT			
B2	B3	B4	B5	J1-J2	J1-J3	J1-J4	J1-J5
-10mA	+10mA	+10mA	+10mA	<b>Low Loss</b>	Isolation	Isolation	Isolation
+10mA	-10mA	+10mA	+10mA	Isolation	<b>Low Loss</b>	Isolation	Isolation
+10mA	+10mA	-10mA	+10mA	Isolation	Isolation	<b>Low Loss</b>	Isolation
+10mA	+10mA	+10mA	-10mA	Isolation	Isolation	Isolation	<b>Low Loss</b>

## Typical RF Performance @ T<sub>AMB</sub> = +25°C (Probed on Wafer)

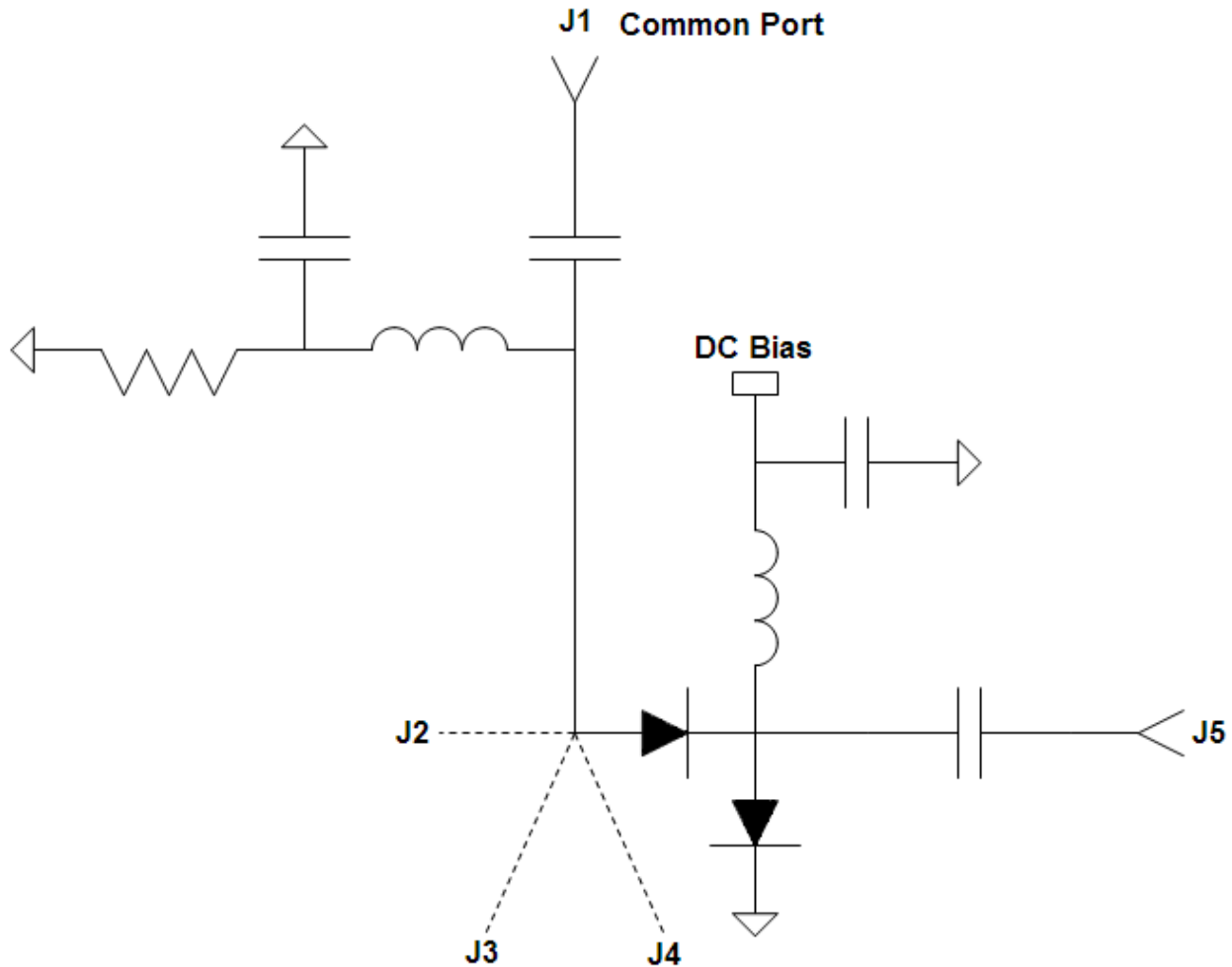


# MA4SW410B-1

HMIC™ Silicon PIN Diode Switch  
with Integrated Bias Network

Rev. V4

## MA4SW410B-1 Schematic

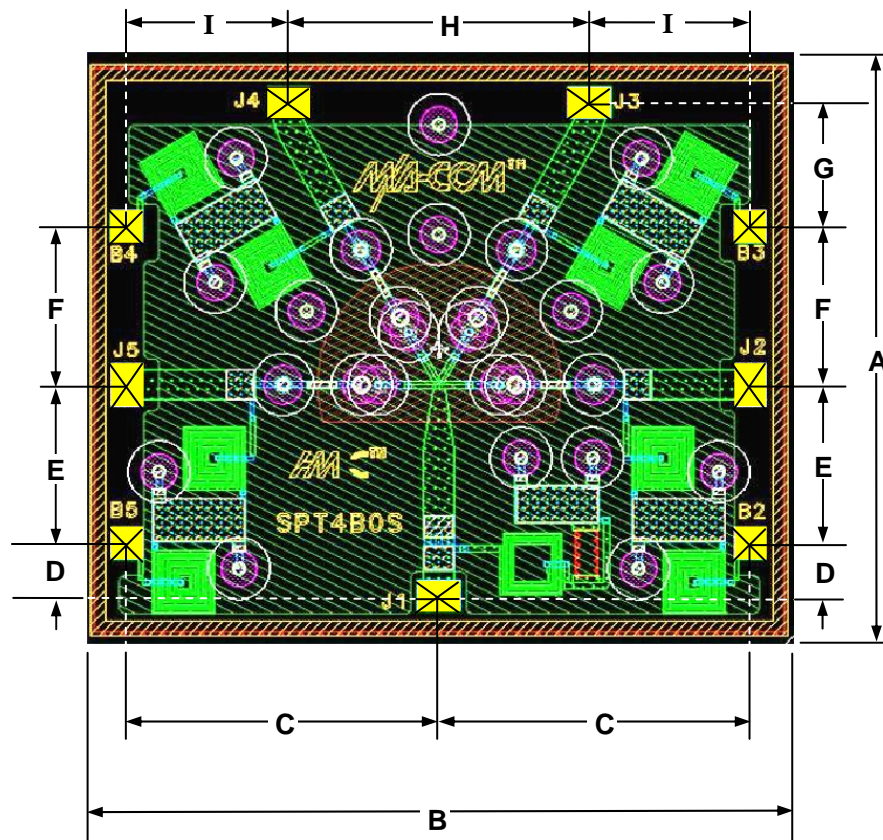


# MA4SW410B-1

HMIC™ Silicon PIN Diode Switch  
with Integrated Bias Network

Rev. V4

## MA4SW410B-1 Chip Outline Drawing<sup>1,2</sup>



DIM	Mils		Millimeters	
	MIN	MAX	MIN	MAX
A	85	89	2.17	2.27
B	106	110	2.69	2.79
C	48	52	1.22	1.32
D	7	11	0.17	0.27
E	33	34	0.85	0.86
F	57	61	1.46	1.56
G	77	81	1.96	2.06
H	46	50	1.18	1.28
I	24	28	0.61	0.71
RF Bond Pads (J1-J6)	7 X 5 REF.		.178 X .127 REF.	
DC Bond Pads (B2-B5)	5 X 5 REF.		.127 X .127 REF.	
Chip Thickness	5 REF.		0.127 REF.	

### Notes:

1. Topside and backside metallization is gold , 2.5µM thick typical.

## Wire/Ribbon and Die Attachment Recommendations

### Cleanliness

These chips should be handled in a clean environment.

### Wire Bonding

Thermosonic wedge wire bonding using 0.00025" x 0.003" ribbon or 0.001" diameter gold wire is recommended. A heat stage temperature of 150°C and a force of 18 to 22 grams should be used. Ultrasonic energy should be adjusted to the minimum required to achieve a good bond. RF bond wires should be kept as short and straight as possible.

### Mounting

The HMIC switches have Ti-Pt-Au back metal. They can be die mounted with a gold-tin eutectic solder preform or conductive epoxy. Mounting surface must be clean and flat.

\*Note: This device utilizes a process step designed to have minimal to non-existent burring around the perimeter of the die.

### Eutectic Die Attachment

An 80/20, gold-tin, eutectic solder preform is recommended with a work surface temperature of 255°C and a tool tip temperature of 265°C. When hot gas is applied, the tool tip temperature should be 290°C. The chip should not be exposed to temperatures greater than 320°C for more than 20 seconds. No more than three seconds should be required for attachment. Solders containing tin should not be used.

### Epoxy Die Attachment

A minimum amount of epoxy should be used. A thin epoxy fillet should be visible around the perimeter of the chip after placement. Cure epoxy per manufacturer's schedule. (typically 125-150°C).

## Ordering Information

Part Number	Package
MA4SW410B-1	Gel Pack (25 Per)
MASW-004102-12760W	Waffle Pack (25 Per)