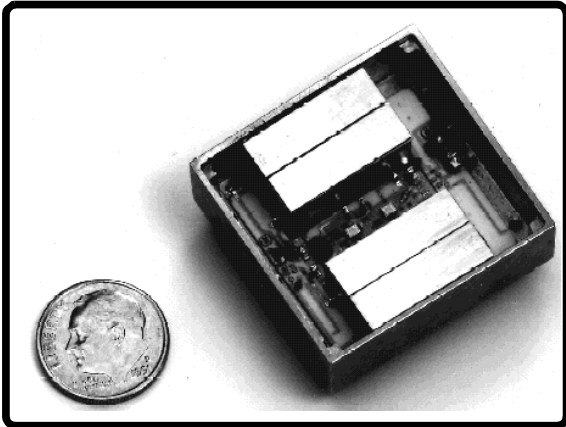


FA4230

**ULTRA MINIATURE 400-750 MHZ
SWITCHED FILTER BANK**



FEATURES

- SHARP ATTENUATION
- FAST SWITCHING - 100 NS
- FOUR CONTIGUOUS BANDS
- HIGH RELIABILITY
- MIL-STD-883 SCREENED
- 0.65 CU IN TOTAL VOLUME
- 1.40" X 1.35 "X 0.34 " IN SIZE

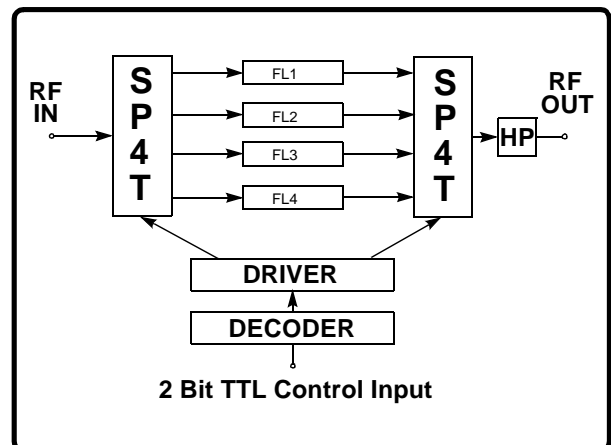
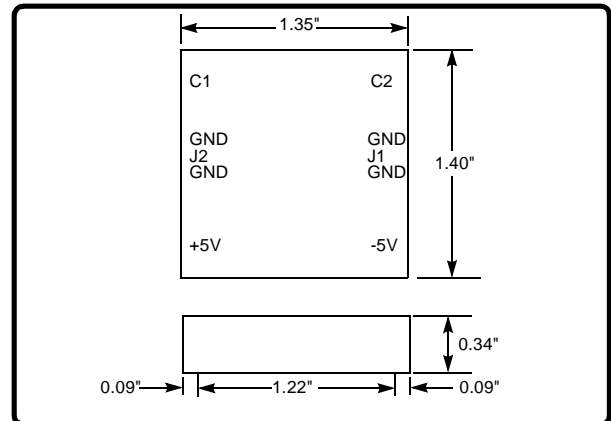
DESCRIPTION

The Comstron Model FA4230 is a switchable filter module containing four filters, with the capability of selecting any one of the four filters with a 2 bit TTL control signal. The FA4230 offers a design having extremely high frequency selectivity, minimum switching time, and ultra miniaturized size. The FA4230 is screened to MIL-STD-883 procedures and operates over the temperature range of -55° C to +105° C

ABSOLUTE MAXIMUM RATINGS

Storage Temperature.....-65° C to +150° C
 Operating Temperature.....-55° C to +105° C
 Input R.F. Power.....+25 dBm Max.
 Hermeticity.....MIL-STD-883, Method 1014
 Shock.....MIL-STD-810, Method 516, Proc. I

OUTLINE DRAWING



FA4230

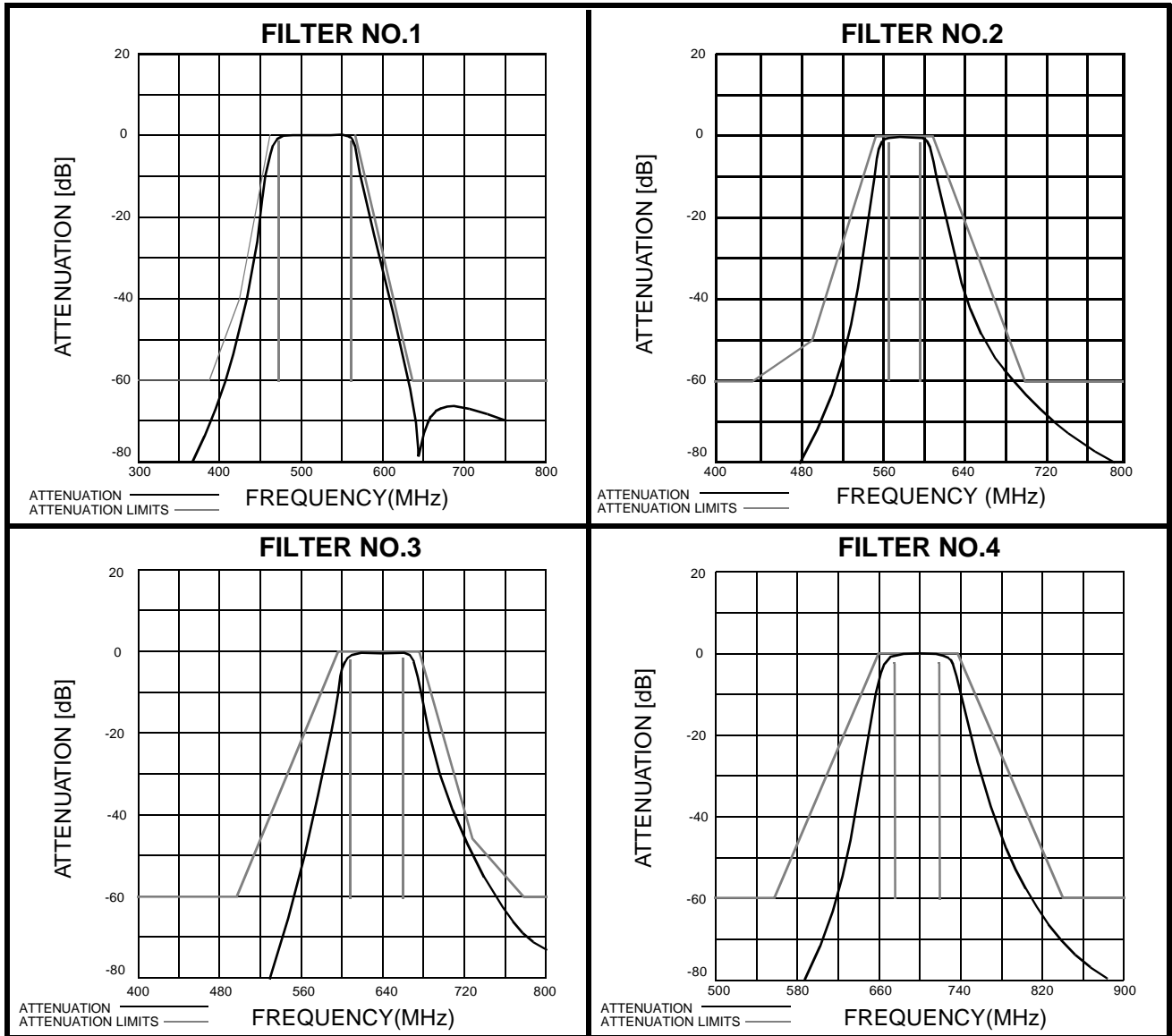


Table 1: SPECIFICATIONS

CHARACTERISTICS	TYPICAL	LIMITS
Attenuation -See Graphs Above	-	-
Switching Speed	80 nS	< 100 nS
Insertion Loss (Includes Switches)	4 dB	< 7dB
D.C. Currents	+5 V, 80 mA -5 V, 20 mA	+5V, < 100mA -5V, < 20 mA
V.S.W.R. (Input/ Output)	1.35:1	< 1.5:1,(1dB BW)
Isolation	60 dB	> 50dB



35 South Service Road • Plainview, NY 11803
 TEL: 516-694-6700 • FAX: 516-694-2562

Precision Supercomponents For Critical Applications

COMSTRON