

EPE6284G & EPE6284G-RC

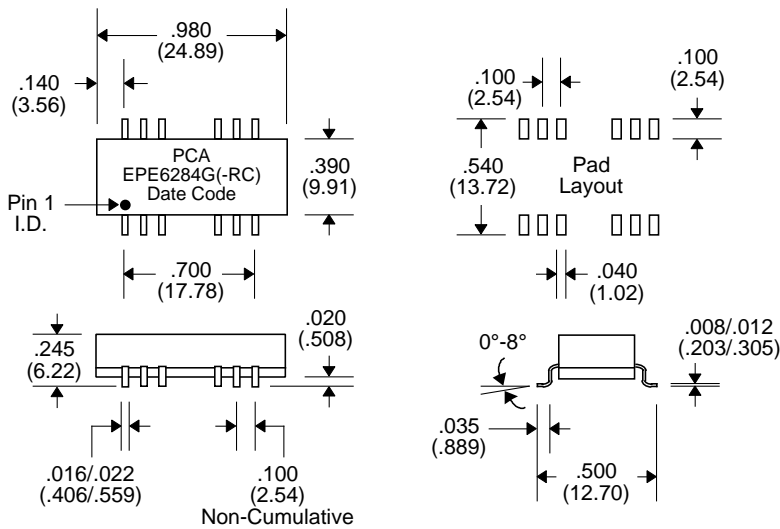
- Optimized for Micro Linear ML4664
- Robust construction allows for the toughest reflow processing
- Add “-RC” after part number for RoHS Compliant

Electrical Parameters @ 25° C

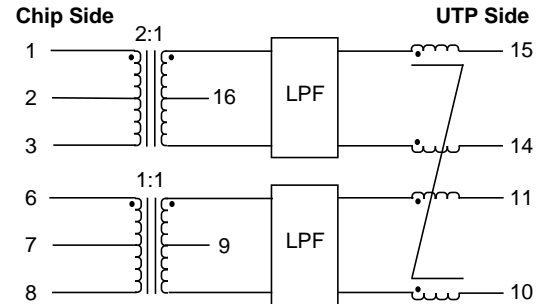
Cut-Off Frequency (MHz)	Insertion Loss (dB Max.)	Return Loss (dB Min.)	Attenuation (dB Min.)			Common Mode Rejection (dB Min.)			Crosstalk (dB Min.)
			@ 25 MHz	@ 30 MHz	@ 40 MHz	@ 50 MHz	@ 100 MHz	@ 200 MHz	
(Typ.)	1-10 MHz	5-10 MHz	@ 25 MHz	@ 30 MHz	@ 40 MHz	@ 50 MHz	@ 100 MHz	@ 200 MHz	1-10 MHz
Xmit/Rcv	Xmit/Rcv	Xmit/Rcv	Xmit/Rcv	Xmit/Rcv	Xmit/Rcv	Xmit/Rcv	Xmit/Rcv	Xmit/Rcv	Xmit/Rcv
17/17	-1/-1	-15/-15	-5/-5	-10/-10	-16/-16	-40/-40	-30/-30	---/---	-30/-30

• **Isolation** : Meets or exceeds 802.3 IEEE Requirements • **Characteristic Filter Impedance** : 100 •

Package



Schematic



Notes :	EPE6284G	EPE6284G-RC
1. Lead Finish	SnPb	Hot Tin Dip (Sn) †
2. Peak Temperature Rating	225°C	245°C
3. Moisture Sensitive Levels	MSL = 3 (168 Hours, 30°C/60%RH)	MSL = 4 (72 Hours, 30°C/60%RH)
4. Weight	1.8 grams	1.8 grams
5. Packaging Information (Tube)	19 pieces/tube	19 pieces/tube
(*Add "TR" to end of part number, but in front of "-RC" when placing order) (Tape & Reel)	550 pieces/13" reel (*EPE6284GTR)	550 pieces/13" reel (*EPE6284GTR-RC)

† Hot tin dipped over Matte Tin with Ni Barrier

Unless Otherwise Specified Dimensions are in Inches /mm ± .010 /.25