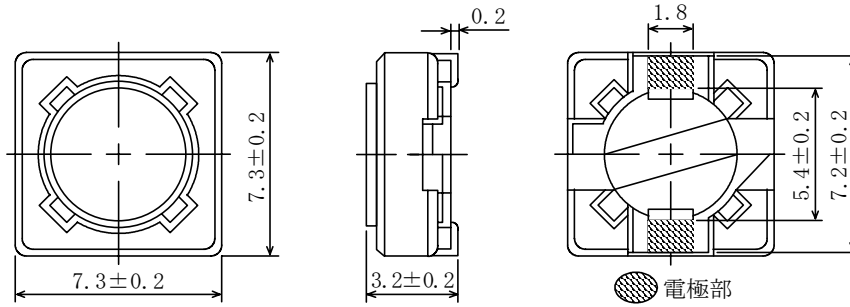


仕様書

形名
CDRH73

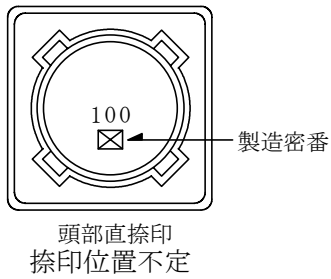
1. 外形

1-1. 寸法図(mm)

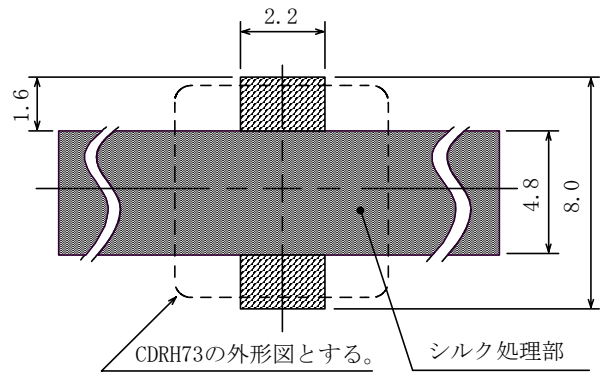


* 公差のない寸法は参考値とする。

1-2. 捺印表示例



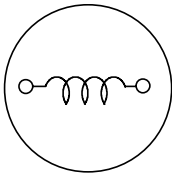
1-3. 推奨ランド寸法(mm)



電極(端子)間の隙間はシルク処理をして御使用下さい。

2. コイル仕様

2-1. 端子接続図(裏面図)



RoHS

compliance

Cd:Max. 0.01wt%

others:Max. 0.1wt%



仕様書

| |
|--------------|
| 形名 CDRH73 |
|--------------|

2-2. 電気的特性 I (リール梱包の場合)

| NO. | 品名 | 表示 | インダクタンス [以内] ※1 | D. C. R. (Ω) [以下] (at 20°C) ※2 | 定格電流 (A) ※3 | スミダ コード |
|-----|----------------|-----|-----------------------|--|-------------------|------------|
| 01 | CDRH73NP-100MC | 100 | 10 μ H \pm 20% | 72m (55m) | 1.68 | 4733-0154 |
| 02 | CDRH73NP-120MC | 120 | 12 μ H \pm 20% | 98m (75m) | 1.52 | 4733-0155 |
| 03 | CDRH73NP-150MC | 150 | 15 μ H \pm 20% | 0.13 (96m) | 1.33 | 4733-0156 |
| 04 | CDRH73NP-180MC | 180 | 18 μ H \pm 20% | 0.14 (0.11) | 1.20 | 4733-0157 |
| 05 | CDRH73NP-220MC | 220 | 22 μ H \pm 20% | 0.19 (0.15) | 1.07 | 4733-0158 |
| 06 | CDRH73NP-270MC | 270 | 27 μ H \pm 20% | 0.21 (0.16) | 0.96 | 4733-0159 |
| 07 | CDRH73NP-330MC | 330 | 33 μ H \pm 20% | 0.24 (0.18) | 0.91 | 4733-0160 |
| 08 | CDRH73NP-390MC | 390 | 39 μ H \pm 20% | 0.32 (0.25) | 0.77 | 4733-0161 |
| 09 | CDRH73NP-470MC | 470 | 47 μ H \pm 20% | 0.36 (0.28) | 0.76 | 4733-0163 |
| 10 | CDRH73NP-560MC | 560 | 56 μ H \pm 20% | 0.47 (0.36) | 0.68 | 4733-0164 |
| 11 | CDRH73NP-680MC | 680 | 68 μ H \pm 20% | 0.52 (0.40) | 0.61 | 4733-0165 |
| 12 | CDRH73NP-820MC | 820 | 82 μ H \pm 20% | 0.69 (0.53) | 0.57 | 4733-0166 |
| 13 | CDRH73NP-101MC | 101 | 100 μ H \pm 20% | 0.79 (0.61) | 0.50 | 4733-0167 |
| 14 | CDRH73NP-121MC | 121 | 120 μ H \pm 20% | 0.89 (0.69) | 0.49 | 4733-0168 |
| 15 | CDRH73NP-151MC | 151 | 150 μ H \pm 20% | 1.27 (1.02) | 0.43 | 4733-0169 |
| 16 | CDRH73NP-181MC | 181 | 180 μ H \pm 20% | 1.45 (1.16) | 0.39 | 4733-0170 |
| 17 | CDRH73NP-221MC | 221 | 220 μ H \pm 20% | 1.65 (1.32) | 0.35 | 4733-0171 |
| 18 | CDRH73NP-271MC | 271 | 270 μ H \pm 20% | 2.31 (1.85) | 0.32 | 4733-0172 |
| 19 | CDRH73NP-331MC | 331 | 330 μ H \pm 20% | 2.62 (2.10) | 0.28 | 4733-0174 |
| 20 | CDRH73NP-391MC | 391 | 390 μ H \pm 20% | 2.94 (2.35) | 0.26 | 4733-0175 |
| 21 | CDRH73NP-471MC | 471 | 470 μ H \pm 20% | 4.18 (3.35) | 0.24 | 4733-0176 |
| 22 | CDRH73NP-561MC | 561 | 560 μ H \pm 20% | 4.67 (3.73) | 0.22 | 4733-0177 |
| 23 | CDRH73NP-681MC | 681 | 680 μ H \pm 20% | 5.73 (4.58) | 0.19 | 4733-0178 |
| 24 | CDRH73NP-821MC | 821 | 820 μ H \pm 20% | 6.54 (5.23) | 0.18 | 4733-0179 |
| 25 | CDRH73NP-102MC | 102 | 1.0 mH \pm 20% | 9.44 (7.55) | 0.16 | 4733-0180 |

仕様書

| |
|--------------|
| 形名 CDRH73 |
|--------------|

2-3. 電気的特性Ⅱ (箱梱包の場合)

| NO. | 品名 | 表示 | インダクタンス [以内] ※1 | D. C. R. (Ω) [以下] (at 20°C) ※2 | 定格電流 (A) ※3 | スミダ コード |
|-----|----------------|-----|-----------------------|--|-------------------|------------|
| 26 | CDRH73NP-100MB | 100 | 10 μ H \pm 20% | 72m (55m) | 1.68 | 4733-0181 |
| 27 | CDRH73NP-120MB | 120 | 12 μ H \pm 20% | 98m (75m) | 1.52 | 4733-0182 |
| 28 | CDRH73NP-150MB | 150 | 15 μ H \pm 20% | 0.13 (96m) | 1.33 | 4733-0183 |
| 29 | CDRH73NP-180MB | 180 | 18 μ H \pm 20% | 0.14 (0.11) | 1.20 | 4733-0185 |
| 30 | CDRH73NP-220MB | 220 | 22 μ H \pm 20% | 0.19 (0.15) | 1.07 | 4733-0186 |
| 31 | CDRH73NP-270MB | 270 | 27 μ H \pm 20% | 0.21 (0.16) | 0.96 | 4733-0187 |
| 32 | CDRH73NP-330MB | 330 | 33 μ H \pm 20% | 0.24 (0.18) | 0.91 | 4733-0188 |
| 33 | CDRH73NP-390MB | 390 | 39 μ H \pm 20% | 0.32 (0.25) | 0.77 | 4733-0189 |
| 34 | CDRH73NP-470MB | 470 | 47 μ H \pm 20% | 0.36 (0.28) | 0.76 | 4733-0190 |
| 35 | CDRH73NP-560MB | 560 | 56 μ H \pm 20% | 0.47 (0.36) | 0.68 | 4733-0191 |
| 36 | CDRH73NP-680MB | 680 | 68 μ H \pm 20% | 0.52 (0.40) | 0.61 | 4733-0192 |
| 37 | CDRH73NP-820MB | 820 | 82 μ H \pm 20% | 0.69 (0.53) | 0.57 | 4733-0193 |
| 38 | CDRH73NP-101MB | 101 | 100 μ H \pm 20% | 0.79 (0.61) | 0.50 | 4733-0194 |
| 39 | CDRH73NP-121MB | 121 | 120 μ H \pm 20% | 0.89 (0.69) | 0.49 | 4733-0196 |
| 40 | CDRH73NP-151MB | 151 | 150 μ H \pm 20% | 1.27 (1.02) | 0.43 | 4733-0197 |
| 41 | CDRH73NP-181MB | 181 | 180 μ H \pm 20% | 1.45 (1.16) | 0.39 | 4733-0198 |
| 42 | CDRH73NP-221MB | 221 | 220 μ H \pm 20% | 1.65 (1.32) | 0.35 | 4733-0199 |
| 43 | CDRH73NP-271MB | 271 | 270 μ H \pm 20% | 2.31 (1.85) | 0.32 | 4733-0200 |
| 44 | CDRH73NP-331MB | 331 | 330 μ H \pm 20% | 2.62 (2.10) | 0.28 | 4733-0201 |
| 45 | CDRH73NP-391MB | 391 | 390 μ H \pm 20% | 2.94 (2.35) | 0.26 | 4733-0202 |
| 46 | CDRH73NP-471MB | 471 | 470 μ H \pm 20% | 4.18 (3.35) | 0.24 | 4733-0203 |
| 47 | CDRH73NP-561MB | 561 | 560 μ H \pm 20% | 4.67 (3.73) | 0.22 | 4733-0204 |
| 48 | CDRH73NP-681MB | 681 | 680 μ H \pm 20% | 5.73 (4.58) | 0.19 | 4733-0205 |
| 49 | CDRH73NP-821MB | 821 | 820 μ H \pm 20% | 6.54 (5.23) | 0.18 | 4733-0207 |
| 50 | CDRH73NP-102MB | 102 | 1.0 mH \pm 20% | 9.44 (7.55) | 0.16 | 4733-0208 |

※1: 測定周波数 L at 1 kHz

※2: ()内は標準値とする。

※3: 定格電流は直流重畳特性に於て、インダクタンスが公称値より-25%となる電流もしくは直流電流を流した時のコイルの発熱が $\Delta t=40^{\circ}\text{C}$ となる電流値の少ない方の値。(Ta=20°Cを基準とする。)

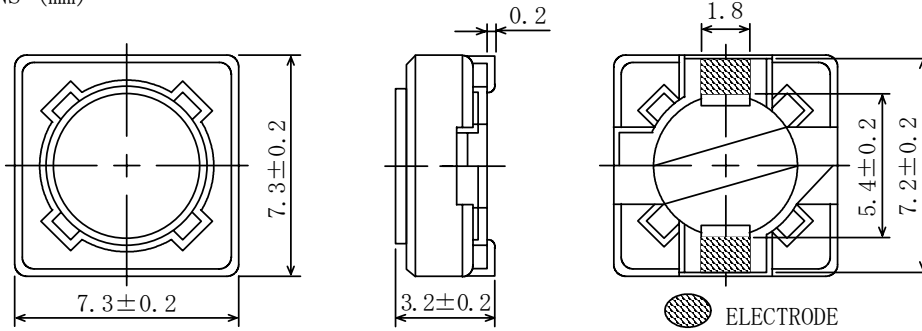
3. 保存温度範囲 -40°C~+100°C
 使用温度範囲 -40°C~+100°C (コイルの発熱を含む。)

SPECIFICATION

| |
|----------------|
| TYPE CDRH73 |
|----------------|

1. APPEARANCE

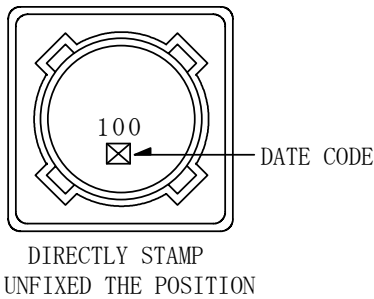
1-1. DIMENSIONS (mm)



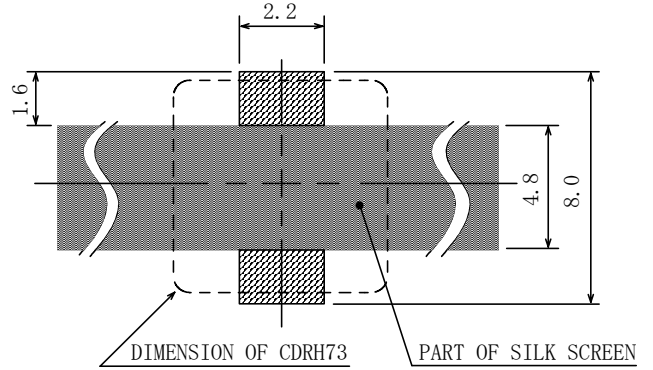
ELECTRODE

* DIMENSIONS WITHOUT TOLERANCE ARE APPROX.

1-2. STAMP (E. G.)



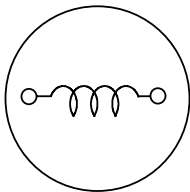
1-3. DIMENSION RECOMMENDED (mm)



PLEASE COAT WITH SILK SCREEN BETWEEN THE TWO TERMINALS.

2. COIL SPECIFICATION

2-1. CONNECTION (BOTTOM VIEW)



| |
|---|
| RoHS compliance Cd:Max. 0.01wt% others:Max. 0.1wt% |
|---|



SPECIFICATION

| |
|----------------|
| TYPE CDRH73 |
|----------------|

2-2. ELECTRICAL CHARACTERISTICS I (IN THE CASE OF REEL)

| NO. | PART NO. | STAMP | INDUCTANCE [WITHIN] ※1 | D. C. R. (Ω) [MAX.] (at 20°C) ※2 | RATED CURRENT (A) ※3 | SUMIDA CODE |
|-----|----------------|-------|------------------------------|--|-------------------------------|----------------|
| 01 | CDRH73NP-100MC | 100 | 10 μ H \pm 20% | 72m (55m) | 1.68 | 4733-0154 |
| 02 | CDRH73NP-120MC | 120 | 12 μ H \pm 20% | 98m (75m) | 1.52 | 4733-0155 |
| 03 | CDRH73NP-150MC | 150 | 15 μ H \pm 20% | 0.13 (96m) | 1.33 | 4733-0156 |
| 04 | CDRH73NP-180MC | 180 | 18 μ H \pm 20% | 0.14 (0.11) | 1.20 | 4733-0157 |
| 05 | CDRH73NP-220MC | 220 | 22 μ H \pm 20% | 0.19 (0.15) | 1.07 | 4733-0158 |
| 06 | CDRH73NP-270MC | 270 | 27 μ H \pm 20% | 0.21 (0.16) | 0.96 | 4733-0159 |
| 07 | CDRH73NP-330MC | 330 | 33 μ H \pm 20% | 0.24 (0.18) | 0.91 | 4733-0160 |
| 08 | CDRH73NP-390MC | 390 | 39 μ H \pm 20% | 0.32 (0.25) | 0.77 | 4733-0161 |
| 09 | CDRH73NP-470MC | 470 | 47 μ H \pm 20% | 0.36 (0.28) | 0.76 | 4733-0163 |
| 10 | CDRH73NP-560MC | 560 | 56 μ H \pm 20% | 0.47 (0.36) | 0.68 | 4733-0164 |
| 11 | CDRH73NP-680MC | 680 | 68 μ H \pm 20% | 0.52 (0.40) | 0.61 | 4733-0165 |
| 12 | CDRH73NP-820MC | 820 | 82 μ H \pm 20% | 0.69 (0.53) | 0.57 | 4733-0166 |
| 13 | CDRH73NP-101MC | 101 | 100 μ H \pm 20% | 0.79 (0.61) | 0.50 | 4733-0167 |
| 14 | CDRH73NP-121MC | 121 | 120 μ H \pm 20% | 0.89 (0.69) | 0.49 | 4733-0168 |
| 15 | CDRH73NP-151MC | 151 | 150 μ H \pm 20% | 1.27 (1.02) | 0.43 | 4733-0169 |
| 16 | CDRH73NP-181MC | 181 | 180 μ H \pm 20% | 1.45 (1.16) | 0.39 | 4733-0170 |
| 17 | CDRH73NP-221MC | 221 | 220 μ H \pm 20% | 1.65 (1.32) | 0.35 | 4733-0171 |
| 18 | CDRH73NP-271MC | 271 | 270 μ H \pm 20% | 2.31 (1.85) | 0.32 | 4733-0172 |
| 19 | CDRH73NP-331MC | 331 | 330 μ H \pm 20% | 2.62 (2.10) | 0.28 | 4733-0174 |
| 20 | CDRH73NP-391MC | 391 | 390 μ H \pm 20% | 2.94 (2.35) | 0.26 | 4733-0175 |
| 21 | CDRH73NP-471MC | 471 | 470 μ H \pm 20% | 4.18 (3.35) | 0.24 | 4733-0176 |
| 22 | CDRH73NP-561MC | 561 | 560 μ H \pm 20% | 4.67 (3.73) | 0.22 | 4733-0177 |
| 23 | CDRH73NP-681MC | 681 | 680 μ H \pm 20% | 5.73 (4.58) | 0.19 | 4733-0178 |
| 24 | CDRH73NP-821MC | 821 | 820 μ H \pm 20% | 6.54 (5.23) | 0.18 | 4733-0179 |
| 25 | CDRH73NP-102MC | 102 | 1.0 mH \pm 20% | 9.44 (7.55) | 0.16 | 4733-0180 |

SPECIFICATION

| |
|----------------|
| TYPE CDRH73 |
|----------------|

2-3. ELECTRICAL CHARACTERISTICS II (IN THE CASE OF BOX)

| NO. | PART NO. | STAMP | INDUCTANCE [WITHIN] ※1 | D. C. R. (Ω) [MAX.] (at 20°C) ※2 | RATED CURRENT (A) ※3 | SUMIDA CODE |
|-----|----------------|-------|------------------------------|--|-------------------------------|----------------|
| 26 | CDRH73NP-100MB | 100 | 10 μ H \pm 20% | 72m (55m) | 1.68 | 4733-0181 |
| 27 | CDRH73NP-120MB | 120 | 12 μ H \pm 20% | 98m (75m) | 1.52 | 4733-0182 |
| 28 | CDRH73NP-150MB | 150 | 15 μ H \pm 20% | 0.13 (96m) | 1.33 | 4733-0183 |
| 29 | CDRH73NP-180MB | 180 | 18 μ H \pm 20% | 0.14 (0.11) | 1.20 | 4733-0185 |
| 30 | CDRH73NP-220MB | 220 | 22 μ H \pm 20% | 0.19 (0.15) | 1.07 | 4733-0186 |
| 31 | CDRH73NP-270MB | 270 | 27 μ H \pm 20% | 0.21 (0.16) | 0.96 | 4733-0187 |
| 32 | CDRH73NP-330MB | 330 | 33 μ H \pm 20% | 0.24 (0.18) | 0.91 | 4733-0188 |
| 33 | CDRH73NP-390MB | 390 | 39 μ H \pm 20% | 0.32 (0.25) | 0.77 | 4733-0189 |
| 34 | CDRH73NP-470MB | 470 | 47 μ H \pm 20% | 0.36 (0.28) | 0.76 | 4733-0190 |
| 35 | CDRH73NP-560MB | 560 | 56 μ H \pm 20% | 0.47 (0.36) | 0.68 | 4733-0191 |
| 36 | CDRH73NP-680MB | 680 | 68 μ H \pm 20% | 0.52 (0.40) | 0.61 | 4733-0192 |
| 37 | CDRH73NP-820MB | 820 | 82 μ H \pm 20% | 0.69 (0.53) | 0.57 | 4733-0193 |
| 38 | CDRH73NP-101MB | 101 | 100 μ H \pm 20% | 0.79 (0.61) | 0.50 | 4733-0194 |
| 39 | CDRH73NP-121MB | 121 | 120 μ H \pm 20% | 0.89 (0.69) | 0.49 | 4733-0196 |
| 40 | CDRH73NP-151MB | 151 | 150 μ H \pm 20% | 1.27 (1.02) | 0.43 | 4733-0197 |
| 41 | CDRH73NP-181MB | 181 | 180 μ H \pm 20% | 1.45 (1.16) | 0.39 | 4733-0198 |
| 42 | CDRH73NP-221MB | 221 | 220 μ H \pm 20% | 1.65 (1.32) | 0.35 | 4733-0199 |
| 43 | CDRH73NP-271MB | 271 | 270 μ H \pm 20% | 2.31 (1.85) | 0.32 | 4733-0200 |
| 44 | CDRH73NP-331MB | 331 | 330 μ H \pm 20% | 2.62 (2.10) | 0.28 | 4733-0201 |
| 45 | CDRH73NP-391MB | 391 | 390 μ H \pm 20% | 2.94 (2.35) | 0.26 | 4733-0202 |
| 46 | CDRH73NP-471MB | 471 | 470 μ H \pm 20% | 4.18 (3.35) | 0.24 | 4733-0203 |
| 47 | CDRH73NP-561MB | 561 | 560 μ H \pm 20% | 4.67 (3.73) | 0.22 | 4733-0204 |
| 48 | CDRH73NP-681MB | 681 | 680 μ H \pm 20% | 5.73 (4.58) | 0.19 | 4733-0205 |
| 49 | CDRH73NP-821MB | 821 | 820 μ H \pm 20% | 6.54 (5.23) | 0.18 | 4733-0207 |
| 50 | CDRH73NP-102MB | 102 | 1.0 mH \pm 20% | 9.44 (7.55) | 0.16 | 4733-0208 |

※1: MEASURED FREQUENCY L at 1 kHz

※2: () TYPICAL VALUE.

※3: THIS INDICATES THE VALUE OF CURRENT WHEN THE INDUCTANCE IS 25% LOWER THAN ITS NOMINAL VALUE AT D.C. SUPERPOSITION OR D.C. CURRENT WHEN $\Delta T=40^{\circ}\text{C}$ WHICHEVER IS LOWER. ($T_a=20^{\circ}\text{C}$)

3. STORAGE TEMPERATURE RANGE : $-40^{\circ}\text{C} \sim +100^{\circ}\text{C}$

OPERATING TEMPERATURE RANGE: $-40^{\circ}\text{C} \sim +100^{\circ}\text{C}$ (INCLUDING SELF TEMPERATURE RISE)