

PLEASE CHECK WWW.MOLEX.COM FOR LATEST PART INFORMATION

Part Number: [0879209047](#)
Status: **Active**
Overview: milligrd
Description: 2.54mm (.100") Pitch C-Grid® Header, Surface Mount, Dual Row, Vertical, 4 Circuits, 2.50µm (98µ") Tin (Sn) Plating, without Cap, with Peg, Tube Packaging, Lead-free

Documents:

[Drawing \(PDF\)](#) [RoHS Certificate of Compliance \(PDF\)](#)
[Product Specification PS-87920-019 \(PDF\)](#)

General

Product Family	PCB Headers
Series	87920
Application	Board-to-Board, Wire-to-Board
Overview	milligrd
Product Name	C-Grid®

Physical

Breakaway	Yes
Circuits (Loaded)	4
Circuits (maximum)	4
Color - Resin	Black
First Mate / Last Break	No
Glow-Wire Compliant	No
Guide to Mating Part	No
Keying to Mating Part	None
Lock to Mating Part	None
Mated Height (in)	0.240 In
Mated Height (mm)	6.10 mm
Material - Metal	Copper Alloy
Material - Plating Mating	Tin
Material - Plating Termination	Nickel
Material - Resin	High Temperature Thermoplastic
Number of Rows	2
Orientation	Vertical
PCB Locator	Yes
PCB Retention	None
PCB Thickness Recommended (in)	0.063 In
PCB Thickness Recommended (mm)	1.60 mm
Packaging Type	Tube
Pitch - Mating Interface (in)	0.100 In
Pitch - Mating Interface (mm)	2.54 mm
Pitch - Term. Interface (in)	0.100 In
Pitch - Term. Interface (mm)	2.54 mm
Plating min: Mating (µin)	98
Plating min: Mating (µm)	2.50
Plating min: Termination (µin)	49
Plating min: Termination (µm)	1.25
Polarized to Mating Part	No
Polarized to PCB	No
Robotic Placement	None
Shrouded	No
Stackable	No
Temperature Range - Operating	-55°C to +105°C
Termination Interface: Style	Surface Mount

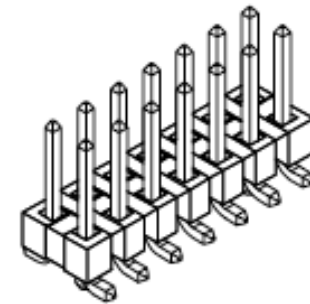


image - Reference only

Series

EU RoHS

**ELV and RoHS
Compliant**
**REACH SVHC
Not Reviewed**
**Halogen-Free
Status**

China RoHS



**Need more information on product
environmental compliance?**

Email productcompliance@molex.com
 For a multiple part number RoHS Certificate of Compliance, [click here](#)

Please visit the [Contact Us](#) section for any non-product compliance questions.

Search Parts in this Series

[87920Series](#)

Mates With

[7859](#) shunts, C-Grid Receptacles, SL Crimp, FFC and IDT Housings

Electrical

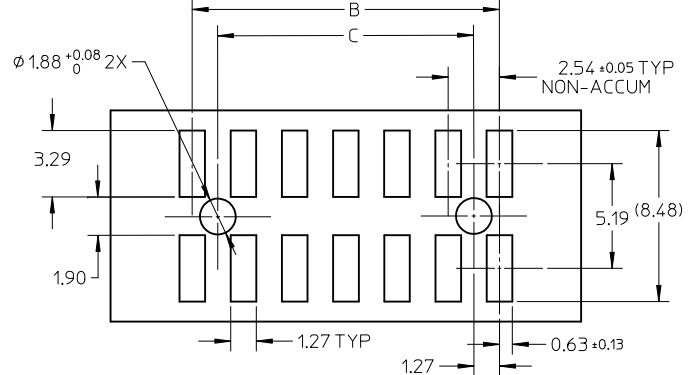
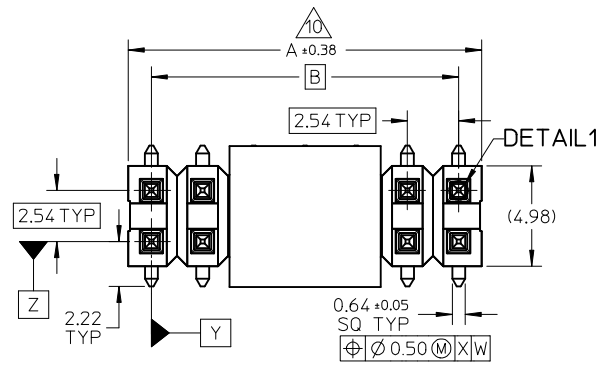
Current - Maximum per Contact	3A
Voltage - Maximum	250V

Material Info**Reference - Drawing Numbers**

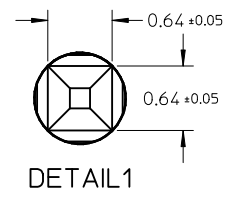
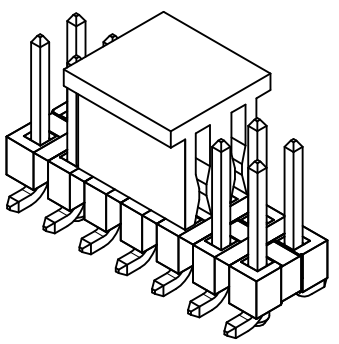
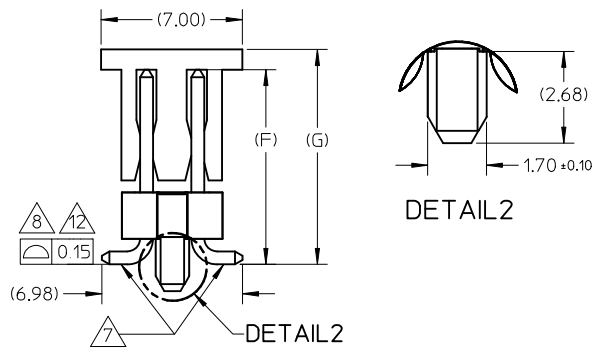
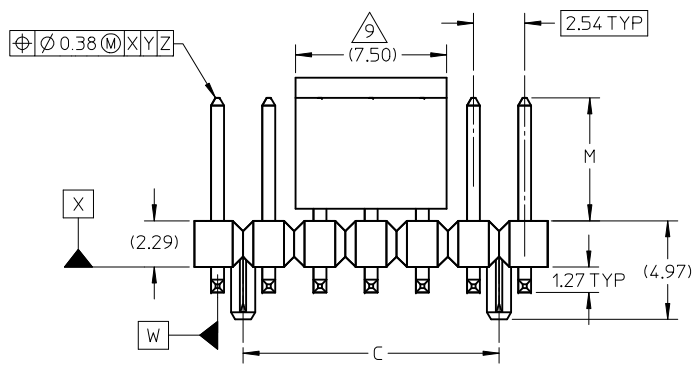
Packaging Specification	PK-89990-478
Product Specification	PS-87920-019
Sales Drawing	SD-87920-020

This document was generated on 05/26/2010

PLEASE CHECK WWW.MOLEX.COM FOR LATEST PART INFORMATION



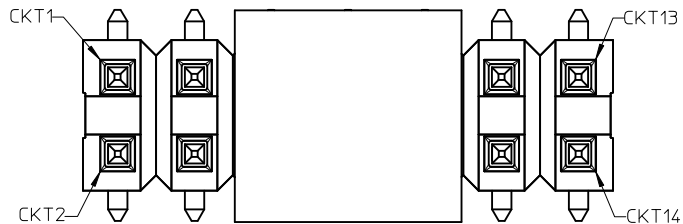
RECOMMENDED PCB LAYOUT



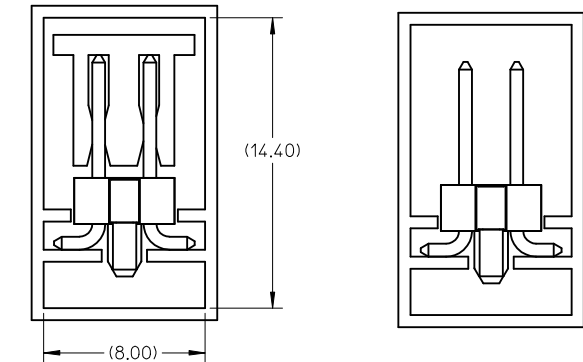
- NOTES:
- MATERIAL:
HSG: LCP, GLASS-FILLED, UL94V-0, COLOR: BLACK
CAP: NYLON, GLASS-FILLED, UL94V-0, COLOR: BLACK
PIN: 0.64MM SQ, COPPER ALLOY
 - PLATING TYPE:
(1) 0.38µm MIN. GOLD PLATE ON CONTACT AND 2.00µm MIN. TIN ON SOLDER TAIL OVER 1.25µm MIN. NICKEL OVERALL.
(2) 0.75µm MIN. GOLD PLATE ON CONTACT AND 2.00µm MIN. TIN ON SOLDER TAIL OVER 1.25µm MIN. NICKEL OVERALL.
(3) 2.50µm MIN. TIN OVERALL 1.25µm MIN. NICKEL OVERALL
 - PACKAGING TYPE: SEE TABLE
 - PCB THICKNESS 1.60+/-0.10mm
 - PRODUCT SPECIFICATION: PS-87920-019
 - WAFER TO BE FLAT WITHIN 0.003 mm/mm
 - BEND DEPRESSION IS ACCEPTED SO LONG AS IT DOES NOT AFFECT THE OVERALL COPLANARITY OF TAIL
 - COPLANARITY IS TO BE MEASURED BY RESTING THE SOLDER TAIL ON A FLAT SURFACE
 - CAP LOCATION IS CENTERED ALONG THE MATING ENDS AS SHOWN. TOP SURFACE OF CAP TO BE FLAT FOR THE PURPOSE OF PICK & PLACE BY VACUUM SUCTION NOZZLE
 - IRREGULAR CIRCUIT CUTOFF WITHIN BREAKAWAY SECTION IS PERMISSIBLE. CUTTING OR CHIPPING OF THE MAIN BODY IS NOT ACCEPTABLE
 - PARTS ARE NOT STACKABLE ON 2.54 CENTER
 - COPLANARITY FOR SIZES UP TO 40 IS 0.15MM.
 - THE ABOVE CKT 14 IS FOR ILLUSTRATION PURPOSE ONLY
 - TUBE LENGTH IS 560MM PER STANDARD
 - CKT 4 & 6 TO BE PACKED IN BULK/TRAY PACKING
 - PACKAGING SPECIFICATION: TUBE: PK-89990-478
TAPE & REEL : PK-89990-479

PGS: * CONNECTOR W/VOID ORIENTATION IN T&R EC NO: S2010-0642 DRW: NAI SEE 2010/02/05 CHK: DSKANG 2010/02/05 APPR: MLONG 2010/02/09	QUALITY SYMBOLS $F_A=0$ $F_C=0$ $F_P=0$	GENERAL TOLERANCES (UNLESS SPECIFIED) mm INCH 4 PLACES ± --- ± --- 3 PLACES ± --- ± --- 2 PLACES ± 0.2 ± --- 1 PLACE ± --- ± --- ANGULAR ± 3 °	DIMENSION STYLE MM ONLY DRAWN BY SKL IM 01 DATE 2006/02/09 CHECKED BY PATEY DATE 2006/02/16 APPROVED BY MLONG DATE 2010/02/08	SCALE NTS DESIGN UNITS METRIC THIRD ANGLE PROJECTION	TITLE CUSTOM HEADER 2.54MM PITCH DUAL ROW HEADER SINGLE WAFER SMT	
	D5	DRAFT WHERE APPLICABLE MUST REMAIN WITHIN DIMENSIONS	MATERIAL NO. SEE TABLE	MOLEX INCORPORATED	DOCUMENT NO. SD-87920-020	SHEET NO. 1 OF 11
	REV	DESCRIPTION	SIZE A3	THIS DRAWING CONTAINS INFORMATION THAT IS PROPRIETARY TO MOLEX INCORPORATED AND SHOULD NOT BE USED WITHOUT WRITTEN PERMISSION		
	D5	DESCRIPTION	SIZE A3	THIS DRAWING CONTAINS INFORMATION THAT IS PROPRIETARY TO MOLEX INCORPORATED AND SHOULD NOT BE USED WITHOUT WRITTEN PERMISSION		

CIRCUITS POSITION CONFIGURATION

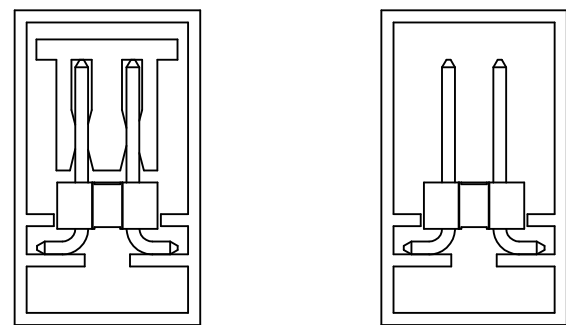


PART PACKED IN TUBE ORIENTATION



PART WITH PEGS WITH CAP IN TUBE

PART WITH PEGS WITHOUT CAP IN TUBE



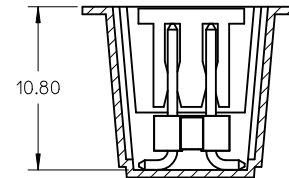
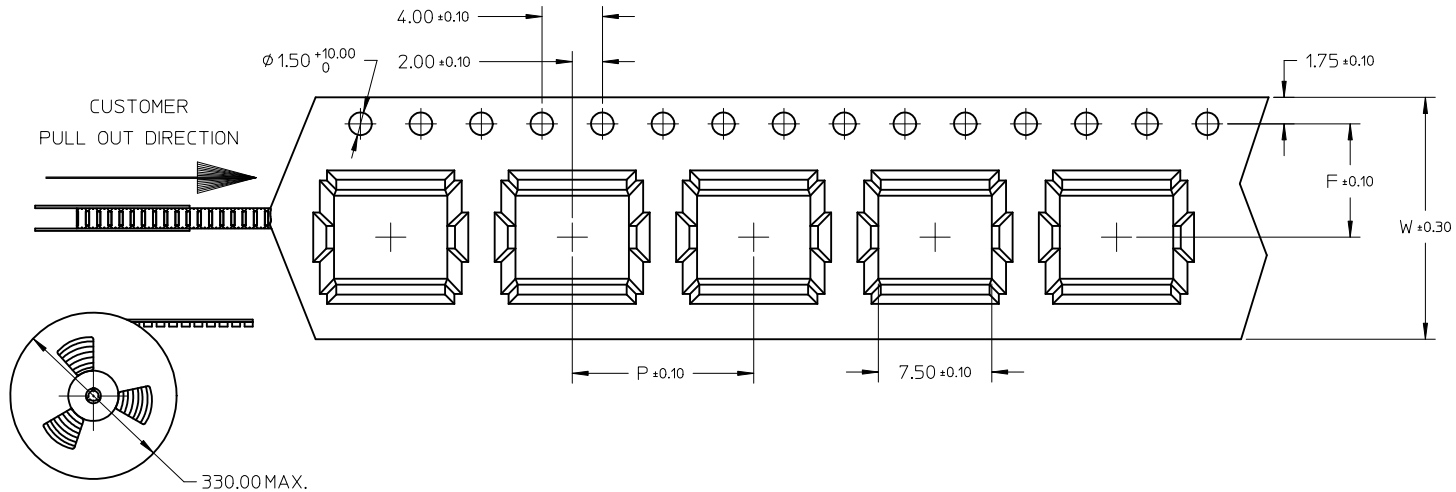
PART WITHOUT PEGS WITH CAP IN TUBE

PART WITHOUT PEGS WITHOUT CAP IN TUBE

PG5.5 CONNECTOR W/VOID ORIENTATION IN T&R EC NO: S2010-0642 DR:WATSEE 2010/02/01 CH:KD:SKANG 2010/02/05 APPR:MLONG 2010/02/09	QUALITY SYMBOLS	GENERAL TOLERANCES (UNLESS SPECIFIED)		DIMENSION STYLE MM ONLY		SCALE NTS	DESIGN UNITS METRIC	THIRD ANGLE PROJECTION		
	$\nabla_A = 0$ $\nabla_C = 0$ $\nabla_P = 0$	4 PLACES ± --- ± --- 3 PLACES ± --- ± --- 2 PLACES ± 0.2 ± --- 1 PLACE ± --- ± ---	mm	INCH	DRAWN BY SKLIM01	DATE 2006/02/09	TITLE CUSTOM HEADER 2.54MM PITCH DUAL ROW HEADER SINGLE WAFER SMT			
		ANGULAR ± 3 °			CHECKED BY PATEY	DATE 2006/02/16	APPROVED BY MLONG 2010/02/08			
		DRAFT WHERE APPLICABLE MUST REMAIN WITHIN DIMENSIONS			MATERIAL NO. SEE TABLE	DATE	DOCUMENT NO. SD-87920-020		SHEET NO. 2 OF 11	

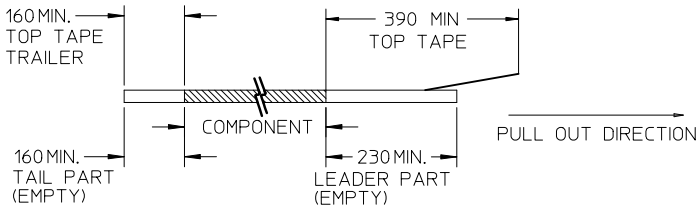
CKT	F	P1	W
04	7.50	12.00	16.00

THIS TYPE OF CARRIER TAPE IS FOR CKT SIZE 04 ONLY

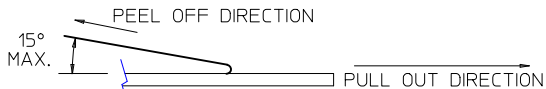


NOTES:

1. LEADER AND TRAILER TAPE



2. PEELING OFF FORCE OF THE TOP TAPE: 20-80gf. (PEELING DIRECTION AS SHOWN IN FOLLOWING FIGURE)

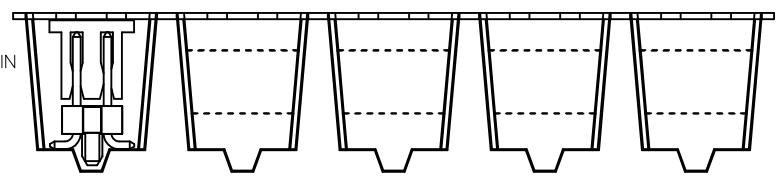
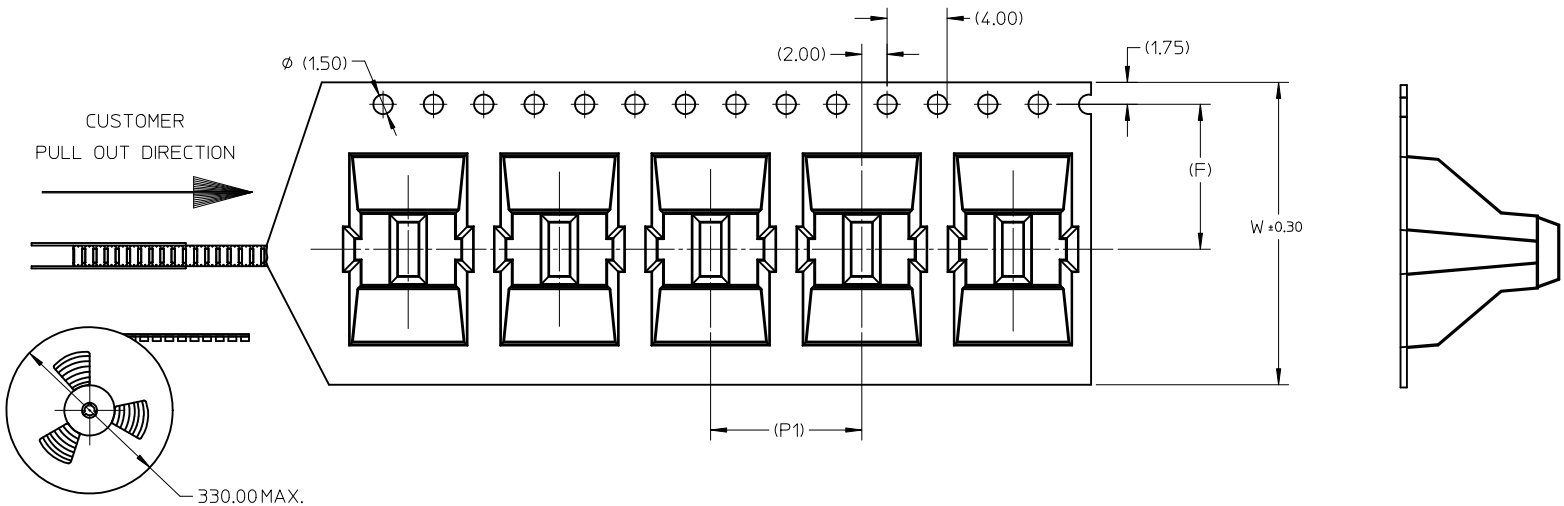


- 3. PACKAGING STANDARD IS AS PER EIA-481.
- 4. TAPE & REEL QUANTITY = 500 PCS/REEL
- 5. THE TAPE IS TREATED FOR ANTI-STATIC.

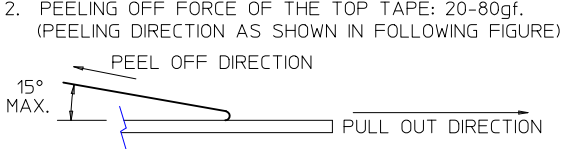
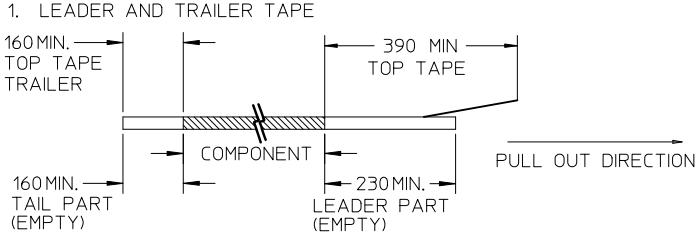
PGS.* CONNECTOR W/VOID ORIENTATION IN T&R EC NO: S2010-0642 DR:WATSEE 2010/02/05 CHK:D:SKANG 2010/02/05 APPR:MLONG 2010/02/09 D5	QUALITY SYMBOLS $\nabla_A = 0$ $\nabla_C = 0$ $\nabla_P = 0$	GENERAL TOLERANCES (UNLESS SPECIFIED) mm INCH 4 PLACES ± --- ± --- 3 PLACES ± --- ± --- 2 PLACES ± 0.2 ± --- 1 PLACE ± --- ± --- ANGULAR ± 3 °	DIMENSION STYLE MM ONLY DRAWN BY SKL1M01 DATE 2006/02/09 CHECKED BY DATE PATEY 2006/02/16 APPROVED BY DATE MLONG 2010/02/08	SCALE NTS DESIGN UNITS METRIC THIRD ANGLE PROJECTION	TITLE CUSTOM HEADER 2.54MM PITCH DUAL ROW HEADER SINGLE WAFER SMT MOLEX INCORPORATED DOCUMENT NO. SD-87920-020 SHEET NO. 3 OF 11	
	DRAFT WHERE APPLICABLE MUST REMAIN WITHIN DIMENSIONS	MATERIAL NO. SEE TABLE SIZE A3	THIS DRAWING CONTAINS INFORMATION THAT IS PROPRIETARY TO MOLEX INCORPORATED AND SHOULD NOT BE USED WITHOUT WRITTEN PERMISSION			

CKT	F	P1	W
06	11.50	12.00	24.00

THIS TYPE OF CARRIER TAPE IS FOR CKT SIZE 06 ONLY



NOTES:



- 3. PACKAGING STANDARD IS AS PER EIA-481.
- 4. TAPE & REEL QUANTITY = 440PCS/REEL
- 5. THE TAPE IS TREATED FOR ANTI-STATIC.

PG5- CONNECTOR W/VOID ORIENTATION IN T&R EC NO: S2010-0642	2010/02/01	DESCRIPTION	QUALITY SYMBOLS
	2010/02/05		$\nabla_{\text{A}} = 0$ $\nabla_{\text{C}} = 0$ $\nabla_{\text{P}} = 0$
DRW:WATSEE	2010/02/09		
CHKD:SKANG			
APPR:MLONG			
REV	D5		

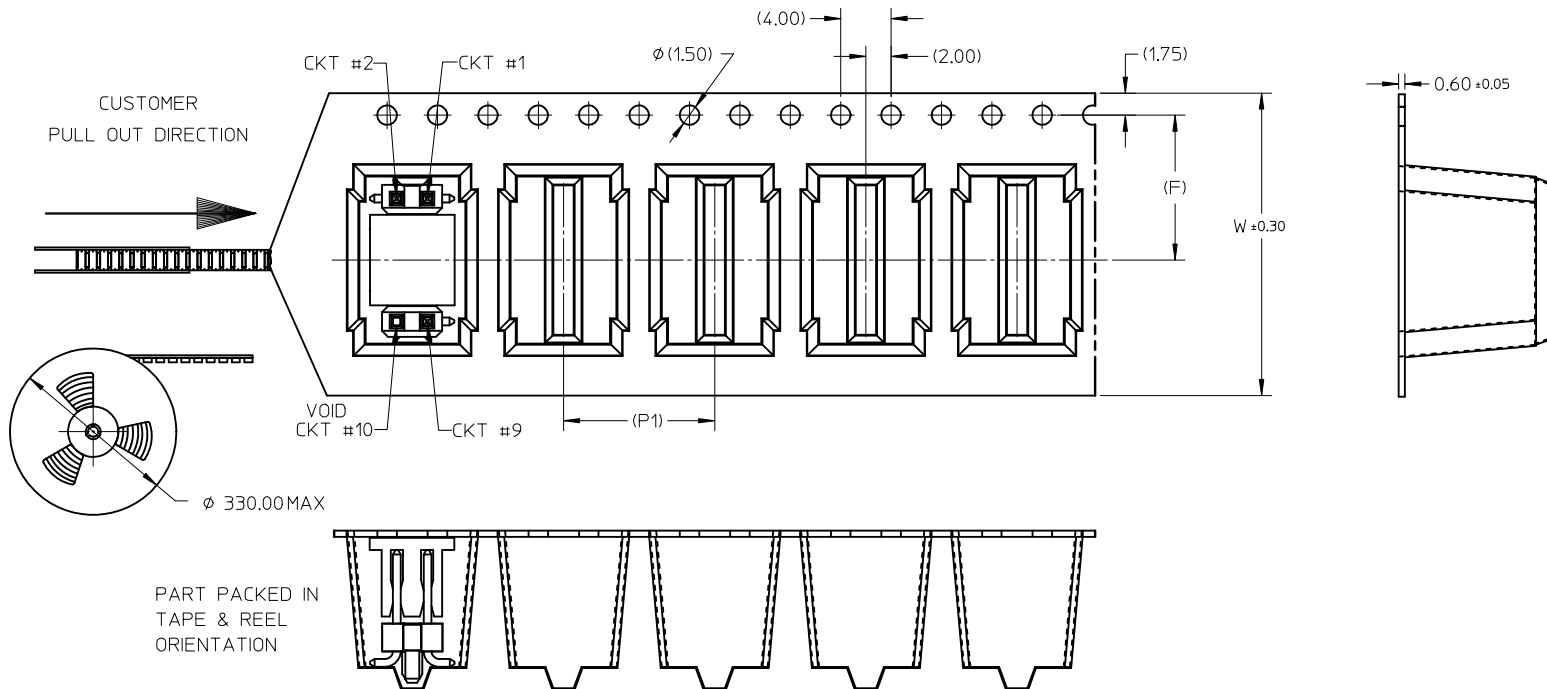
GENERAL TOLERANCES (UNLESS SPECIFIED)	mm	INCH
	4 PLACES	± ---
3 PLACES	± ---	± ---
2 PLACES	± 0.2	± ---
1 PLACE	± ---	± ---
ANGULAR ± 3 °		
DRAFT WHERE APPLICABLE MUST REMAIN WITHIN DIMENSIONS		

DIMENSION STYLE		SCALE	DESIGN UNITS	THIRD ANGLE PROJECTION
MM ONLY		NTS	METRIC	
DRAWN BY	DATE	TITLE		
SKL1M01	2006/02/09	CUSTOM HEADER		
CHECKED BY	DATE	2.54MM PITCH DUAL ROW		
PATEY	2006/02/16	HEADER SINGLE WAFER SMT		
APPROVED BY	DATE	MOLEX INCORPORATED		
MLONG	2010/02/08			
MATERIAL NO.		DOCUMENT NO.		
SEE TABLE		SD-87920-020		
SIZE	THIS DRAWING CONTAINS INFORMATION THAT IS PROPRIETARY TO MOLEX INCORPORATED AND SHOULD NOT BE USED WITHOUT WRITTEN PERMISSION			
A3				

MATERIAL NO.		DOCUMENT NO.	
SEE TABLE		SD-87920-020	
SHEET NO.		4 OF 11	

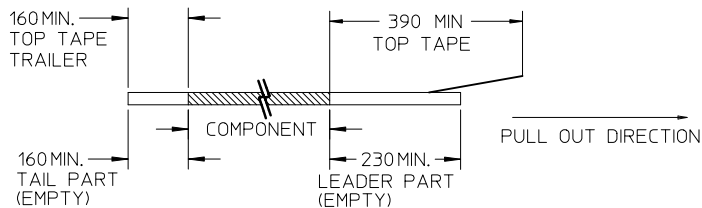
CKT	F	P1	W
08	11.50	12.00	24.00
10	11.50	12.00	24.00

THIS TYPE OF CARRIER TAPE IS FOR CKT SIZE 08 AND 10 ONLY

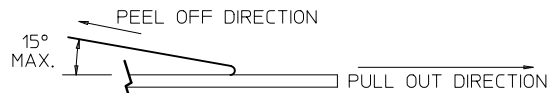


NOTES:

1. LEADER AND TRAILER TAPE



2. PEELING OFF FORCE OF THE TOP TAPE: 20-80gf.
(PEELING DIRECTION AS SHOWN IN FOLLOWING FIGURE)



- 3. PACKAGING STANDARD IS AS PER EIA-481.
- 4. TAPE & REEL QUANTITY = 440PCS/REEL
- 5. THE TAPE IS TREATED FOR ANTI-STATIC.
- 6. ATTACHED ABOVE CONNECTOR IN T&R WITH VOID CKT#10 IS FOR ILLUSTRATION ONLY.

PG5.5* CONNECTOR W/VOID ORIENTATION IN T&R EC NO: S2010-0642	2010/02/01	DRW:WATSEE	2010/02/05	CHKD:SKANG	2010/02/09	APPR:MLONG
	REV	DESCRIPTION				
	D5					

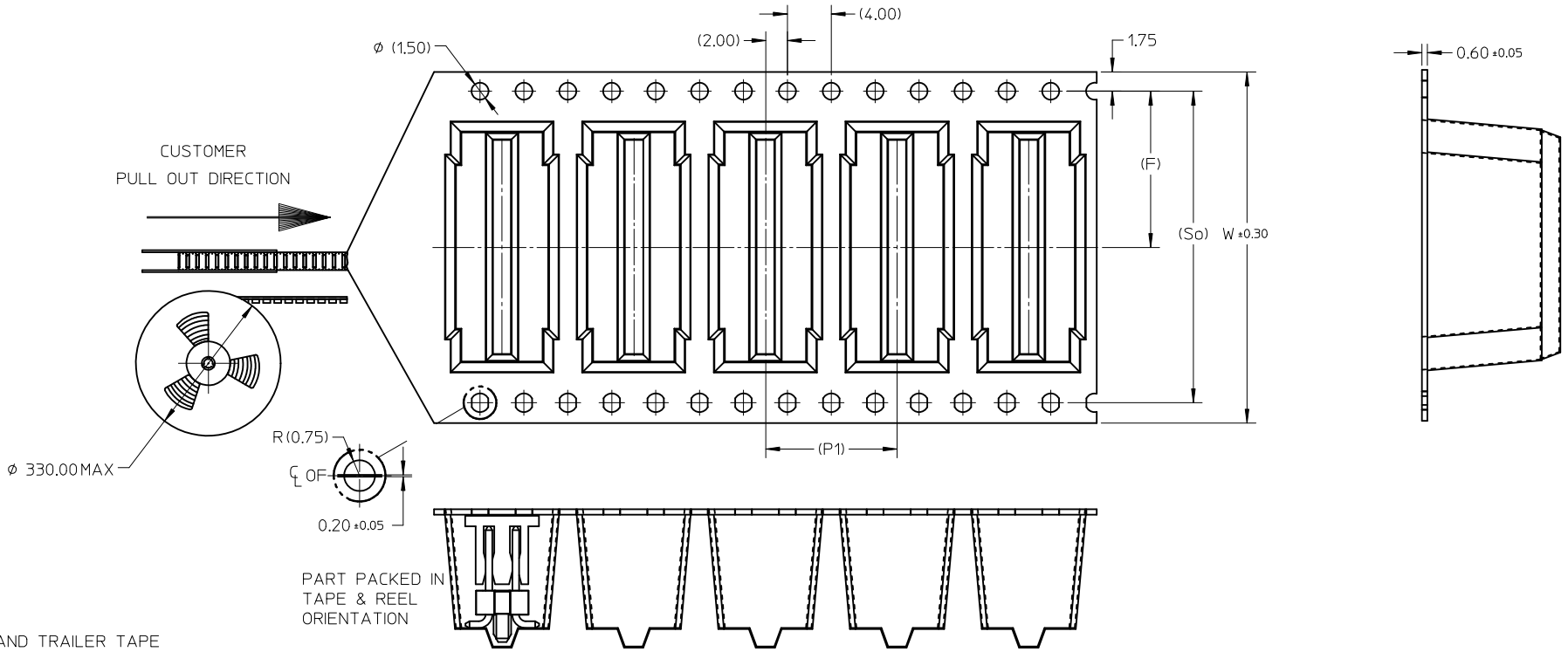
QUALITY SYMBOLS	$\nabla_A = 0$	GENERAL TOLERANCES (UNLESS SPECIFIED)	DIMENSION STYLE		SCALE	DESIGN UNITS	THIRD ANGLE PROJECTION
	$\nabla_B = 0$		mm	INCH	NTS	METRIC	
	$\nabla_C = 0$		DRAWN BY SKLIM01		DATE	TITLE	
	$\nabla_D = 0$		CHECKED BY PATEY		DATE		
			APPROVED BY MLONG		DATE		
			MATERIAL NO.		2010/02/08		
			SEE TABLE				
			SIZE A3				
			DRAFT WHERE APPLICABLE MUST REMAIN WITHIN DIMENSIONS		THIS DRAWING CONTAINS INFORMATION THAT IS PROPRIETARY TO MOLEX INCORPORATED AND SHOULD NOT BE USED WITHOUT WRITTEN PERMISSION		

DRAWN BY SKLIM01		DATE	2006/02/09
CHECKED BY PATEY		DATE	2006/02/16
APPROVED BY MLONG		DATE	2010/02/08
MATERIAL NO.		DOCUMENT NO.	
SEE TABLE		SD-87920-020	
SIZE A3		SHEET NO. 5 OF 11	

CUSTOM HEADER		2.54MM PITCH DUAL ROW		HEADER SINGLE WAFER SMT	
MOLEX		MOLEX INCORPORATED			
MATERIAL NO.		DOCUMENT NO.		SHEET NO.	
SEE TABLE		SD-87920-020		5 OF 11	
THIS DRAWING CONTAINS INFORMATION THAT IS PROPRIETARY TO MOLEX INCORPORATED AND SHOULD NOT BE USED WITHOUT WRITTEN PERMISSION					

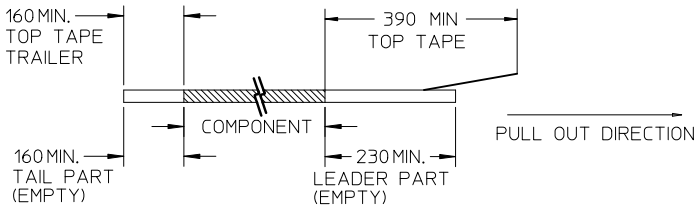
CKT	F	P1	So	W
12	14.20	12.00	28.40	32.00
14	14.20	12.00	28.40	32.00
16	14.20	12.00	28.40	32.00
20	20.20	12.00	40.40	44.00

THIS TYPE OF CARRIER TAPE IS FOR CKT SIZE 12, 14, 16 AND 20

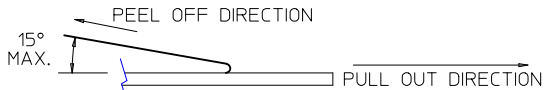


NOTES:

1. LEADER AND TRAILER TAPE



2. PEELING OFF FORCE OF THE TOP TAPE: 20-80gf.
(PEELING DIRECTION AS SHOWN IN FOLLOWING FIGURE)



3. PACKAGING STANDARD IS AS PER EIA-481.
4. TAPE & REEL QUANTITY = 440PCS/REEL
5. THE TAPE IS TREATED FOR ANTI-STATIC.

PART PACKED IN TAPE & REEL ORIENTATION

PG5+ CONNECTOR W/VOID ORIENTATION IN T&R	2010/02/01
EC NO: S2010-064Z	2010/02/05
DRW:NAT SEE	2010/02/09
CHKD:SKANG	
APPR:MLONG	
REV	

QUALITY SYMBOLS	DESCRIPTION
▽=0	
▽E=0	
▽F=0	

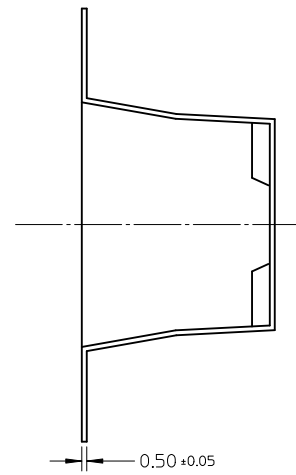
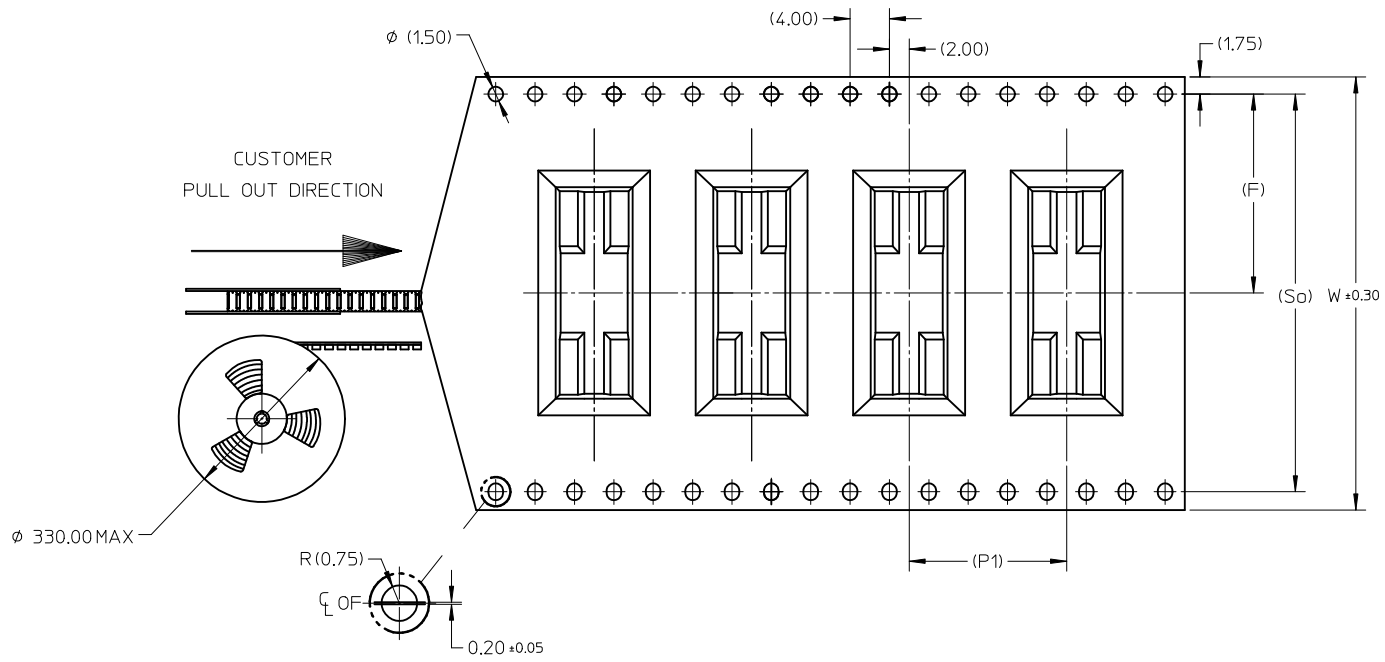
GENERAL TOLERANCES (UNLESS SPECIFIED)	
	mm INCH
4 PLACES	± --- ± ---
3 PLACES	± --- ± ---
2 PLACES	± 0.2 ± ---
1 PLACE	± --- ± ---
ANGULAR ± 3 °	
DRAFT WHERE APPLICABLE MUST REMAIN WITHIN DIMENSIONS	

DIMENSION STYLE	
MM ONLY	
DRAWN BY	DATE
SKL IM01	2006/02/09
CHECKED BY	DATE
PATEY	2006/02/16
APPROVED BY	DATE
MLONG	2010/02/08
MATERIAL NO.	
SEE TABLE	
SIZE	
A3	

SCALE	DESIGN UNITS	THIRD ANGLE PROJECTION
NTS	METRIC	☉
TITLE		
CUSTOM HEADER 2.54MM PITCH DUAL ROW HEADER SINGLE WAFER SMT		
MATERIAL NO. SD-87920-020		
DOCUMENT NO.		SHEET NO.
SD-87920-020		6 OF 11
THIS DRAWING CONTAINS INFORMATION THAT IS PROPRIETARY TO MOLEX INCORPORATED AND SHOULD NOT BE USED WITHOUT WRITTEN PERMISSION		

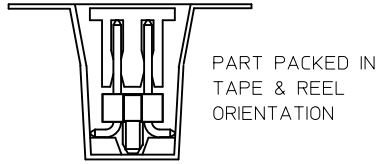
CKT	F	P1	So	W
40	34.20	16.00	68.50	72.00

THIS TYPE OF CARRIER TAPE IS FOR CKT SIZE 40

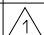
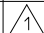
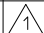
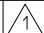




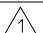
NOTES:

- LEADER AND TRAILER TAPE
- PEELING OFF FORCE OF THE TOP TAPE: 20-80gf.
 (PEELING DIRECTION AS SHOWN IN FOLLOWING FIGURE)
- PACKAGING STANDARD IS AS PER EIA-481.
- TAPE & REEL QUANTITY = 250PCS/REEL
- THE TAPE IS TREATED FOR ANTI-STATIC.

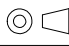


PG5.5* CONNECTOR W/VOID ORIENTATION IN T&R EC NO: S2010-0642 DRW: NAISEE 2010/02/01 CHK: DSKANG 2010/02/05 APPR: MLONG 2010/02/09 REV D5	QUALITY SYMBOLS $F_A=0$ $F_C=0$ $F_P=0$	GENERAL TOLERANCES (UNLESS SPECIFIED) <table border="1"> <tr> <th></th> <th>mm</th> <th>INCH</th> </tr> <tr> <td>4 PLACES</td> <td>± ---</td> <td>± ---</td> </tr> <tr> <td>3 PLACES</td> <td>± ---</td> <td>± ---</td> </tr> <tr> <td>2 PLACES</td> <td>± 0.2</td> <td>± ---</td> </tr> <tr> <td>1 PLACE</td> <td>± ---</td> <td>± ---</td> </tr> </table>		mm	INCH	4 PLACES	± ---	± ---	3 PLACES	± ---	± ---	2 PLACES	± 0.2	± ---	1 PLACE	± ---	± ---	DIMENSION STYLE MM ONLY DRAWN BY SKL IM01 DATE 2006/02/09 CHECKED BY PATEY DATE 2006/02/16 APPROVED BY MLONG DATE 2010/02/08	SCALE NTS DESIGN UNITS METRIC THIRD ANGLE PROJECTION	TITLE CUSTOM HEADER 2.54MM PITCH DUAL ROW HEADER SINGLE WAFER SMT MOLEX INCORPORATED MATERIAL NO. SD-87920-020 DOCUMENT NO. 7 OF 11
		mm	INCH																	
	4 PLACES	± ---	± ---																	
	3 PLACES	± ---	± ---																	
2 PLACES	± 0.2	± ---																		
1 PLACE	± ---	± ---																		
DRAFT WHERE APPLICABLE MUST REMAIN WITHIN DIMENSIONS		SIZE A3	THIS DRAWING CONTAINS INFORMATION THAT IS PROPRIETARY TO MOLEX INCORPORATED AND SHOULD NOT BE USED WITHOUT WRITTEN PERMISSION																	
DIMENSION STYLE: MM ONLY																				
SCALE: NTS																				

PART NUMBER IN PACKAGING OPTION			CKT SIZE	PEG	PLATE OPT.	VOID CKT	DIMENSION					
TAPE & REEL WITH CAP	TUBE WITHOUT CAP	TUBE WITH CAP					A	B	C	F	G	M
87920-9111	 87920-9044	-----	4	N	1	--	5.08	2.54	-----	9.66	10.66	6.10
87920-9211	 87920-9045	-----	4	N	2	--	5.08	2.54	-----	9.66	10.66	6.10
87920-9311	 87920-9046	-----	4	N	3	--	5.08	2.54	-----	9.66	10.66	6.10
87920-9112	 87920-9064	-----	6	N	1	--	7.62	5.08	-----	9.66	10.66	6.10
87920-9212	 87920-9065	-----	6	N	2	--	7.62	5.08	-----	9.66	10.66	6.10
87920-9312	 87920-9066	-----	6	N	3	--	7.62	5.08	-----	9.66	10.66	6.10
87920-9113	87920-9084	87920-9087	8	N	1	--	10.16	7.62	-----	9.66	10.66	6.10
87920-9213	87920-9085	87920-9088	8	N	2	--	10.16	7.62	-----	9.66	10.66	6.10
87920-9313	87920-9086	87920-9089	8	N	3	--	10.16	7.62	-----	9.66	10.66	6.10
87920-9114	87920-9104	87920-9107	10	N	1	--	12.70	10.16	-----	9.66	10.66	6.10
87920-9214	87920-9105	87920-9108	10	N	2	--	12.70	10.16	-----	9.66	10.66	6.10
87920-9314	87920-9106	87920-9109	10	N	3	--	12.70	10.16	-----	9.66	10.66	6.10
87920-1007	-----	-----	10	N	1	10	12.70	10.16	-----	9.66	10.66	6.10

PART NUMBER IN PACKAGING OPTION			CKT SIZE	PEG	PLATE OPT.	DIMENSION						
TAPE & REEL WITH CAP	TUBE WITHOUT CAP	TUBE WITH CAP				A	B	C	F	G	M	
-----	-----	-----	---	---	---	---	---	---	---	---	---	---
-----	-----	-----	---	---	---	---	---	---	---	---	---	---
-----	 87920-9047	-----	4	Y	3		5.08	2.54	-----	9.66	10.66	6.10
87920-8113	87920-8084	87920-8087	8	Y	1		10.16	7.62	5.08	9.66	10.66	6.10
87920-8213	87920-8085	87920-8088	8	Y	2		10.16	7.62	5.08	9.66	10.66	6.10
87920-8313	87920-8086	87920-8089	8	Y	3		10.16	7.62	5.08	9.66	10.66	6.10
87920-8114	87920-8104	87920-8107	10	Y	1		12.70	10.16	7.62	9.66	10.66	6.10
87920-8214	87920-8105	87920-8108	10	Y	2		12.70	10.16	7.62	9.66	10.66	6.10
87920-8314	87920-8106	87920-8109	10	Y	3		12.70	10.16	7.62	9.66	10.66	6.10

 PART TO BE PACKED IN BULK/TRAY PACKAGING.

PG5.* CONNECTOR W/VOID ORIENTATION IN T&R EC NO: S2010-0642 DRW:WATSEE 2010/02/01 CHK:D:SKANG 2010/02/05 APPR:MLONG 2010/02/09 REV DESCRIPTION	QUALITY SYMBOLS	GENERAL TOLERANCES (UNLESS SPECIFIED)	DIMENSION STYLE	SCALE	DESIGN UNITS	THIRD ANGLE PROJECTION	
	$F_A=0$	mm INCH	MM ONLY	NTS	METRIC		
	$F_G=0$	4 PLACES ± --- ± ---	DRAWN BY SKL IM01	DATE 2006/02/09	TITLE		
	$F_P=0$	3 PLACES ± --- ± ---	CHECKED BY PATEY	DATE 2006/02/16	CUSTOM HEADER		
	2 PLACES ± 0.2 ± ---	APPROVED BY MLONG	DATE 2010/02/08	2.54MM PITCH DUAL ROW			
	1 PLACE ± --- ± ---	MATERIAL NO.	SEE TABLE	HEADER SINGLE WAFER SMT			
	ANGULAR ± 3 °	DOCUMENT NO.		MOLEX INCORPORATED			
				SD-87920-020			
				SHEET NO. 8 OF 11			
				THIS DRAWING CONTAINS INFORMATION THAT IS PROPRIETARY TO MOLEX INCORPORATED AND SHOULD NOT BE USED WITHOUT WRITTEN PERMISSION			

PART NUMBER IN PACKAGING OPTION			CKT SIZE	PEG	PLATE OPT.	DIMENSION					
TAPE & REEL WITH CAP	TUBE WITHOUT CAP	TUBE WITH CAP				A	B	C	F	G	M
89720-9119	87920-9124	87920-9127	12	N	1	15.24	12.70	-----	9.66	10.66	6.10
-----	87920-9125	87920-9128	12	N	2	15.24	12.70	-----	9.66	10.66	6.10
-----	87920-9126	87920-9129	12	N	3	15.24	12.70	-----	9.66	10.66	6.10
87920-9115	87920-9144	87920-9147	14	N	1	17.78	15.24	-----	9.66	10.66	6.10
87920-9215	87920-9145	87920-9148	14	N	2	17.78	15.24	-----	9.66	10.66	6.10
87920-9315	87920-9146	87920-0014	14	N	3	17.78	15.24	-----	9.66	10.66	6.10
87920-9116	87920-9164	87920-9167	16	N	1	20.32	17.78	-----	9.66	10.66	6.10
87920-9216	87920-9165	87920-9168	16	N	2	20.32	17.78	-----	9.66	10.66	6.10
87920-9316	87920-9166	87920-9169	16	N	3	20.32	17.78	-----	9.66	10.66	6.10
-----	87920-9184	87920-9187	18	N	1	22.86	20.32	-----	9.66	10.66	6.10
-----	87920-9185	87920-9188	18	N	2	22.86	20.32	-----	9.66	10.66	6.10
-----	87920-9186	87920-9189	18	N	3	22.86	20.32	-----	9.66	10.66	6.10
87920-9117	87920-9204	87920-9207	20	N	1	25.40	22.86	-----	9.66	10.66	6.10
87920-9217	87920-9205	87920-9208	20	N	2	25.40	22.86	-----	9.66	10.66	6.10
87920-9317	87920-9206	87920-9209	20	N	3	25.40	22.86	-----	9.66	10.66	6.10

PART NUMBER IN PACKAGING OPTION			CKT SIZE	PEG	PLATE OPT.	DIMENSION					
TAPE & REEL WITH CAP	TUBE WITHOUT CAP	TUBE WITH CAP				A	B	C	F	G	M
-----	87920-8124	87920-8127	12	Y	1	15.24	12.70	10.16	9.66	10.66	6.10
-----	87920-8125	87920-8128	12	Y	2	15.24	12.70	10.16	9.66	10.66	6.10
-----	87920-8126	87920-8129	12	Y	3	15.24	12.70	10.16	9.66	10.66	6.10
87920-8115	87920-8144	87920-8147	14	Y	1	17.78	15.24	12.70	9.66	10.66	6.10
87920-8215	87920-8145	87920-8148	14	Y	2	17.78	15.24	12.70	9.66	10.66	6.10
87920-8315	87920-8146	87920-8149	14	Y	3	17.78	15.24	12.70	9.66	10.66	6.10
87920-8116	87920-8164	87920-8167	16	Y	1	20.32	17.78	15.24	9.66	10.66	6.10
87920-8216	87920-8165	87920-8168	16	Y	2	20.32	17.78	15.24	9.66	10.66	6.10
87920-8316	87920-8166	87920-8169	16	Y	3	20.32	17.78	15.24	9.66	10.66	6.10
-----	87920-8184	87920-8187	18	Y	1	22.86	20.32	17.78	9.66	10.66	6.10
-----	87920-8185	87920-8188	18	Y	2	22.86	20.32	17.78	9.66	10.66	6.10
-----	87920-8186	87920-8189	18	Y	3	22.86	20.32	17.78	9.66	10.66	6.10
87920-8117	87920-8204	87920-8207	20	Y	1	25.40	22.86	20.32	9.66	10.66	6.10
87920-8217	87920-8205	87920-8208	20	Y	2	25.40	22.86	20.32	9.66	10.66	6.10
87920-8317	87920-8206	87920-8209	20	Y	3	25.40	22.86	20.32	9.66	10.66	6.10

PG5.* CONNECTOR W/VOID ORIENTATION IN T&R EC NO: S2010-0642 DRW:WATSEE 2010/02/01 CHK:D:SKANG 2010/02/05 APPR:MLONG 2010/02/09 REV DESCRIPTION	QUALITY SYMBOLS	GENERAL TOLERANCES (UNLESS SPECIFIED)	DIMENSION STYLE	SCALE	DESIGN UNITS	THIRD ANGLE PROJECTION	
	$\nabla_A = 0$ $\nabla_C = 0$ $\nabla_P = 0$	mm INCH 4 PLACES ± --- ± --- 3 PLACES ± --- ± --- 2 PLACES ± 0.2 ± --- 1 PLACE ± --- ± --- ANGULAR ± 3 °	MM ONLY	NTS	METRIC		
		DRAFT WHERE APPLICABLE MUST REMAIN WITHIN DIMENSIONS	DRAWN BY SKLIM01 DATE 2006/02/09 CHECKED BY PATEY DATE 2006/02/16 APPROVED BY MLONG DATE 2010/02/08	TITLE	CUSTOM HEADER 2.54MM PITCH DUAL ROW HEADER SINGLE WAFER SMT		
	D5		SEE TABLE	MATERIAL NO.	DOCUMENT NO.	MOLEX INCORPORATED SD-87920-020	
			SIZE A3	THIS DRAWING CONTAINS INFORMATION THAT IS PROPRIETARY TO MOLEX INCORPORATED AND SHOULD NOT BE USED WITHOUT WRITTEN PERMISSION			SHEET NO. 9 OF 11

PART NUMBER IN PACKAGING OPTION			CKT SIZE	PEG	PLATE OPT.	DIMENSION					
TAPE & REEL WITH CAP	TUBE WITHOUT CAP	TUBE WITH CAP				A	B	C	F	G	M
-----	87920-9224	87920-9227	22	N	1	27.94	25.40	-----	9.66	10.66	6.10
-----	87920-9225	87920-9228	22	N	2	27.94	25.40	-----	9.66	10.66	6.10
-----	87920-9226	87920-9229	22	N	3	27.94	25.40	-----	9.66	10.66	6.10
-----	87920-9244	87920-9247	24	N	1	30.48	27.94	-----	9.66	10.66	6.10
-----	87920-9245	87920-9248	24	N	2	30.48	27.94	-----	9.66	10.66	6.10
-----	87920-9246	87920-9249	24	N	3	30.48	27.94	-----	9.66	10.66	6.10
-----	87920-9264	87920-9267	26	N	1	33.02	30.48	-----	9.66	10.66	6.10
-----	87920-9265	87920-9268	26	N	2	33.02	30.48	-----	9.66	10.66	6.10
-----	87920-9266	87920-9269	26	N	3	33.02	30.48	-----	9.66	10.66	6.10
-----	87920-9284	87920-9287	28	N	1	35.56	33.02	-----	9.66	10.66	6.10
-----	87920-9285	87920-9288	28	N	2	35.56	33.02	-----	9.66	10.66	6.10
-----	87920-9286	87920-9289	28	N	3	35.56	33.02	-----	9.66	10.66	6.10
-----	87920-9304	87920-9307	30	N	1	38.10	35.56	-----	9.66	10.66	6.10
-----	87920-9305	87920-9308	30	N	2	38.10	35.56	-----	9.66	10.66	6.10
-----	87920-9306	87920-9309	30	N	3	38.10	35.56	-----	9.66	10.66	6.10

PART NUMBER IN PACKAGING OPTION			CKT SIZE	PEG	PLATE OPT.	DIMENSION					
TAPE & REEL WITH CAP	TUBE WITHOUT CAP	TUBE WITH CAP				A	B	C	F	G	M
-----	87920-8224	87920-8227	22	Y	1	27.94	25.40	22.86	9.66	10.66	6.10
-----	87920-8225	87920-8228	22	Y	2	27.94	25.40	22.86	9.66	10.66	6.10
-----	87920-8226	87920-8229	22	Y	3	27.94	25.40	22.86	9.66	10.66	6.10
-----	87920-8244	87920-8247	24	Y	1	30.48	27.94	25.40	9.66	10.66	6.10
-----	87920-8245	87920-8248	24	Y	2	30.48	27.94	25.40	9.66	10.66	6.10
-----	87920-8246	87920-8249	24	Y	3	30.48	27.94	25.40	9.66	10.66	6.10
-----	87920-8264	87920-8267	26	Y	1	33.02	30.48	27.94	9.66	10.66	6.10
-----	87920-8265	87920-8268	26	Y	2	33.02	30.48	27.94	9.66	10.66	6.10
-----	87920-8266	87920-8269	26	Y	3	33.02	30.48	27.94	9.66	10.66	6.10
-----	87920-8284	87920-8287	28	Y	1	35.56	33.02	30.48	9.66	10.66	6.10
-----	87920-8285	87920-8288	28	Y	2	35.56	33.02	30.48	9.66	10.66	6.10
-----	87920-8286	87920-8289	28	Y	3	35.56	33.02	30.48	9.66	10.66	6.10
-----	87920-8304	87920-8307	30	Y	1	38.10	35.56	33.02	9.66	10.66	6.10
-----	87920-8305	87920-8308	30	Y	2	38.10	35.56	33.02	9.66	10.66	6.10
-----	87920-8306	87920-8309	30	Y	3	38.10	35.56	33.02	9.66	10.66	6.10

PART NUMBER IN PACKAGING OPTION												CKT SIZE	PEG	PLATE OPT.	DIMENSION					
TAPE & REEL WITH CAP	TUBE WITHOUT CAP	TUBE WITH CAP	A	B	C	F	G	M												

PG5.* CONNECTOR W/VOID ORIENTATION IN T&R EC NO: S2010-0642 DRW:WATSEE 2010/02/01 CHKD:SKANG 2010/02/05 APPR:MLONG 2010/02/09	QUALITY SYMBOLS $F_A=0$ $F_G=0$ $F_P=0$	GENERAL TOLERANCES (UNLESS SPECIFIED) mm INCH 4 PLACES ± --- ± --- 3 PLACES ± --- ± --- 2 PLACES ± 0.2 ± --- 1 PLACE ± --- ± --- ANGULAR ± 3 °	DIMENSION STYLE MM ONLY DRAWN BY: SKLIM01 DATE: 2006/02/09 CHECKED BY: PATEY DATE: 2006/02/16 APPROVED BY: MLONG DATE: 2010/02/08	SCALE: NTS DESIGN UNITS: METRIC THIRD ANGLE PROJECTION	TITLE: CUSTOM HEADER 2.54MM PITCH DUAL ROW HEADER SINGLE WAFER SMT
	D5	DRAFT WHERE APPLICABLE MUST REMAIN WITHIN DIMENSIONS	MATERIAL NO.: SEE TABLE SIZE: A3	DOCUMENT NO.: SD-87920-020 SHEET NO.: 10 OF 11	MOLEX INCORPORATED
	THIS DRAWING CONTAINS INFORMATION THAT IS PROPRIETARY TO MOLEX INCORPORATED AND SHOULD NOT BE USED WITHOUT WRITTEN PERMISSION				
	REV DESCRIPTION				

PART NUMBER IN PACKAGING OPTION			CKT SIZE	PEG	PLATE OPT.	DIMENSION					
TAPE & REEL WITH CAP	TUBE WITHOUT CAP	TUBE WITH CAP				A	B	C	F	G	M
-----	87920-9324	87920-9327	32	N	1	40.64	38.10	-----	9.66	10.66	6.10
-----	87920-9325	87920-9328	32	N	2	40.64	38.10	-----	9.66	10.66	6.10
-----	87920-9326	87920-9329	32	N	3	40.64	38.10	-----	9.66	10.66	6.10
-----	87920-9344	87920-9347	34	N	1	43.18	40.64	-----	9.66	10.66	6.10
-----	87920-9345	87920-9348	34	N	2	43.18	40.64	-----	9.66	10.66	6.10
-----	87920-9346	87920-9349	34	N	3	43.18	40.64	-----	9.66	10.66	6.10
-----	87920-9364	87920-9367	36	N	1	45.72	43.18	-----	9.66	10.66	6.10
-----	87920-9365	87920-9368	36	N	2	45.72	43.18	-----	9.66	10.66	6.10
-----	87920-9366	87920-9369	36	N	3	45.72	43.18	-----	9.66	10.66	6.10
-----	87920-9384	87920-9387	38	N	1	48.26	45.72	-----	9.66	10.66	6.10
-----	87920-9385	87920-9388	38	N	2	48.26	45.72	-----	9.66	10.66	6.10
-----	87920-9386	87920-9389	38	N	3	48.26	45.72	-----	9.66	10.66	6.10
87920-9118	87920-9404	87920-9407	40	N	1	50.80	48.26	-----	9.66	10.66	6.10
87920-9218	87920-9405	87920-9408	40	N	2	50.80	48.26	-----	9.66	10.66	6.10
87920-9318	87920-9406	87920-9409	40	N	3	50.80	48.26	-----	9.66	10.66	6.10

PART NUMBER IN PACKAGING OPTION			CKT SIZE	PEG	PLATE OPT.	DIMENSION					
TAPE & REEL WITH CAP	TUBE WITHOUT CAP	TUBE WITH CAP				A	B	C	F	G	M
-----	87920-8324	87920-8327	32	Y	1	40.64	38.10	35.56	9.66	10.66	6.10
-----	87920-8325	87920-8328	32	Y	2	40.64	38.10	35.56	9.66	10.66	6.10
-----	87920-8326	87920-8329	32	Y	3	40.64	38.10	35.56	9.66	10.66	6.10
-----	87920-8344	87920-8347	34	Y	1	43.18	40.64	38.10	9.66	10.66	6.10
-----	87920-8345	87920-8348	34	Y	2	43.18	40.64	38.10	9.66	10.66	6.10
-----	87920-8346	87920-8349	34	Y	3	43.18	40.64	38.10	9.66	10.66	6.10
-----	87920-8364	87920-8367	36	Y	1	45.72	43.18	40.64	9.66	10.66	6.10
-----	87920-8365	87920-8368	36	Y	2	45.72	43.18	40.64	9.66	10.66	6.10
-----	87920-8366	87920-8369	36	Y	3	45.72	43.18	40.64	9.66	10.66	6.10
-----	87920-8384	87920-8387	38	Y	1	48.26	45.72	43.18	9.66	10.66	6.10
-----	87920-8385	87920-8388	38	Y	2	48.26	45.72	43.18	9.66	10.66	6.10
-----	87920-8386	87920-8389	38	Y	3	48.26	45.72	43.18	9.66	10.66	6.10
87920-8118	87920-8404	87920-8407	40	Y	1	50.80	48.26	45.72	9.66	10.66	6.10
87920-8218	87920-8405	87920-8408	40	Y	2	50.80	48.26	45.72	9.66	10.66	6.10
87920-8318	87920-8406	87920-8409	40	Y	3	50.80	48.26	45.72	9.66	10.66	6.10

B

PG5.* CONNECTOR W/VOID ORIENTATION IN T&R EC NO: S2010-0642 DRW:WATSEE 2010/02/01 CHK:D:SKANG 2010/02/05 APPR:MLONG 2010/02/09	QUALITY SYMBOLS $\nabla_A = 0$ $\nabla_C = 0$ $\nabla_P = 0$	GENERAL TOLERANCES (UNLESS SPECIFIED) mm INCH 4 PLACES \pm --- \pm --- 3 PLACES \pm --- \pm --- 2 PLACES \pm 0.2 \pm --- 1 PLACE \pm --- \pm --- ANGULAR \pm 3 °	DIMENSION STYLE MM ONLY DRAWN BY: SKLIM01 DATE: 2006/02/09 CHECKED BY: DATE: APPROVED BY: DATE: 2006/02/16 MLONG 2010/02/08	SCALE: NTS DESIGN UNITS: METRIC THIRD ANGLE PROJECTION	TITLE: CUSTOM HEADER 2.54MM PITCH DUAL ROW HEADER SINGLE WAFER SMT	
	D5	DRAFT WHERE APPLICABLE MUST REMAIN WITHIN DIMENSIONS	MATERIAL NO.: SEE TABLE DOCUMENT NO.: SD-87920-020	SHEET NO.: 11 OF 11	MOLEX INCORPORATED	
	THIS DRAWING CONTAINS INFORMATION THAT IS PROPRIETARY TO MOLEX INCORPORATED AND SHOULD NOT BE USED WITHOUT WRITTEN PERMISSION					
	SIZE: A3					