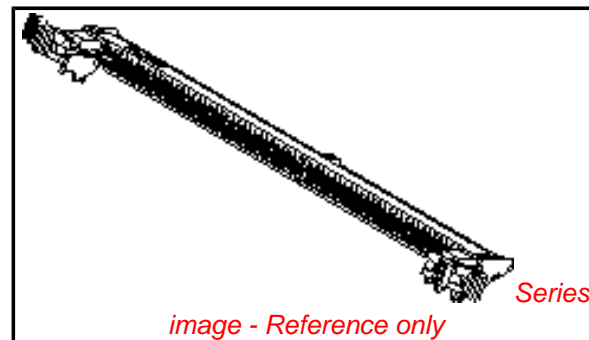


PLEASE CHECK WWW.MOLEX.COM FOR LATEST PART INFORMATION

Part Number: [0879170011](#)
Status: **Active**
Description: 1.00mm (.039") Pitch Fully Buffered DIMM Socket, 28.5° Angle, Through Hole, 240 Circuits, with Beveled Metal Pins, with Off-White Latches, 0.76µm (30µ") Gold (Au) Selective Plating, 3.18mm (.125") Solder Tail Length, Lead-free

Documents:

[3D Model](#) [Product Specification PS-87917-001 \(PDF\)](#)
[Drawing \(PDF\)](#) [RoHS Certificate of Compliance \(PDF\)](#)



Agency Certification

CSA LR19980
 UL E29179

General

Product Family Memory Module Sockets
 Series [87917](#)
 Comments Latches in Off-White ColorSolder Tail Length at 3.18mm (.125")
 Component Type Memory Module
 JEDEC Outline MO-256
 Product Name FB DIMM

Physical

Circuits (Loaded) 240
 Color - Resin Black, Natural
 Durability (mating cycles max) 25
 Entry Angle 28.5° Angle
 Flammability 94V-0
 Keying to Mating Part Yes
 Material - Metal Phosphor Bronze
 Material - Plating Mating Gold
 Material - Plating Termination Tin
 Material - Resin High Temperature Thermoplastic
 PC Tail Length (in) 0.125 In
 PC Tail Length (mm) 3.18 mm
 PCB Locator Yes
 PCB Retention Yes
 PCB Thickness Recommended (in) 0.093 In
 PCB Thickness Recommended (mm) 2.40 mm
 Packaging Type Tray
 Pitch - Mating Interface (in) 0.039 In
 Pitch - Mating Interface (mm) 1.00 mm
 Plating min: Mating (µin) 30
 Plating min: Mating (µm) 0.76
 Plating min: Termination (µin) 100
 Plating min: Termination (µm) 2.54
 Temperature Range - Operating -55°C to +85°C
 Termination Interface: Style Through Hole

Electrical

Current - Maximum per Contact 1A
 Voltage - Maximum 30V
 Voltage Key 1.8V

Solder Process Data

Duration at Max. Process Temperature (seconds) 10

EU RoHS
ELV and RoHS
Compliant
REACH SVHC
Contains SVHC: No
Halogen-Free
Status
Not Halogen-Free

China RoHS

Need more information on product environmental compliance?

Email productcompliance@molex.com
 For a multiple part number RoHS Certificate of Compliance, [click here](#)

Please visit the [Contact Us](#) section for any non-product compliance questions.

Search Parts in this Series
[87917Series](#)

Mates With
 JEDEC MO-256 modules

Lead-free Process Capability	SMC & Wave Capable (TH only)
Max. Cycles at Max. Process Temperature	2
Process Temperature max. C	260

Material Info

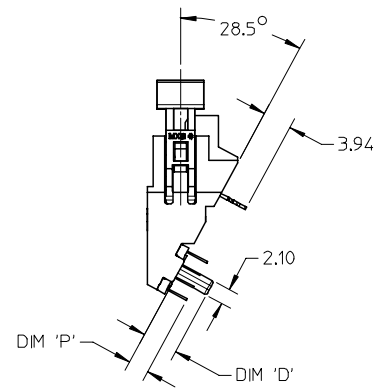
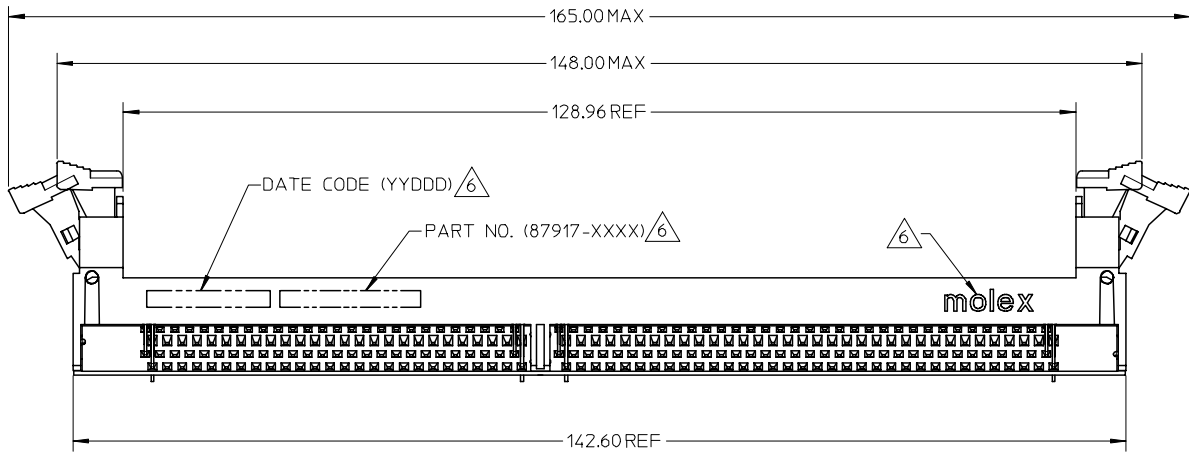
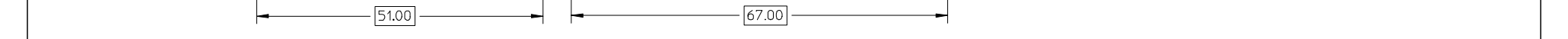
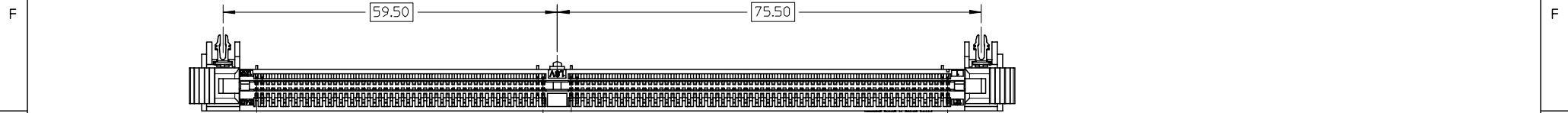
Reference - Drawing Numbers

Product Specification	PS-87917-001, RPS-87917-001
Sales Drawing	SD-87917-001

This document was generated on 04/13/2010

PLEASE CHECK WWW.MOLEX.COM FOR LATEST PART INFORMATION

10 9 8 7 6 5 4 3 2 1



NOTES :

- MATERIAL : HOUSING AND BASEPLATE.
 - LCP, GLASS FILLED, UL94-V0, BLACK LATCH.
 - NYLON, GLASS FILLED, UL94-V0, NATURAL (OFF WHITE).
 TERMINALS & FORKLICK - COPPER ALLOY.

- PLATING : CONTACT AREA - SEE TABLE ON SHEET 5.
 SOLDERTAIL - SEE TABLE ON SHEET 5.

- CARD SLOT ACCEPTS 1.27±0.10MM MODULE THICKNESS (MEASURED OVER PC PADS).

- REFER TO PRODUCT SPECIFICATION, PS-87917-001 FOR PERFORMANCE SPECIFICATION.

- PRODUCT SHALL BE PACKED IN TRAY.

6. MOLEX LOGO, DATE & PART NO. INDICATED ON HOUSING.

7. KEEP OUT ZONE IS THE AREA WHERE THE CONNECTOR (INCLUDE LATCH) IS MOUNTED ON THE PCB.

ADDED HSG. CORING	2006/11/08
EC NO: S2007-0413	2006/11/09
DRWN:BLIM	2006/11/09
CHKD:SHLEN	2006/11/10
APPR:GGLLEE	
REV	DESCRIPTION
B3	

QUALITY SYMBOLS	▽=0
	∇=0

GENERAL TOLERANCES (UNLESS SPECIFIED)	mm	INCH
	4 PLACES ± ---	± ---
	3 PLACES ± ---	± ---
	2 PLACES ± 0.2	± ---
	1 PLACE ± 0.5	± ---
	ANGULAR ± 1 °	
DRAFT WHERE APPLICABLE MUST REMAIN WITHIN DIMENSIONS		

DIMENSION STYLE MM ONLY	
DRAWN BY	DATE
JTAN	2005/12/23
CHECKED BY	DATE
SRRAMESH	2006/02/03
APPROVED BY	DATE
GGLLEE	2006/02/06
MATERIAL NO.	
SEE TABLE	
SIZE	A3

SCALE NTS	DESIGN UNITS METRIC	THIRD ANGLE PROJECTION
TITLE FB DIMM, 1.00MM PITCH 240 CKTS, 28.5 DEG		
MOLEX INCORPORATED		
DOCUMENT NO.	SD-87917-001	SHEET NO. 1 OF 6
THIS DRAWING CONTAINS INFORMATION THAT IS PROPRIETARY TO MOLEX INCORPORATED AND SHOULD NOT BE USED WITHOUT WRITTEN PERMISSION		

10 9 8 7 6 5 4 3 2 1

F

F

E

E

D

D

C

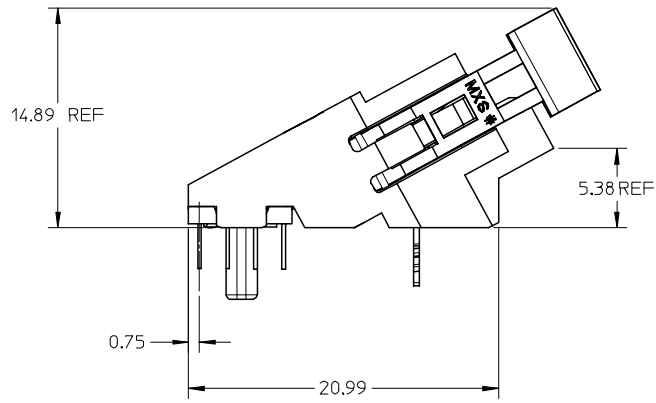
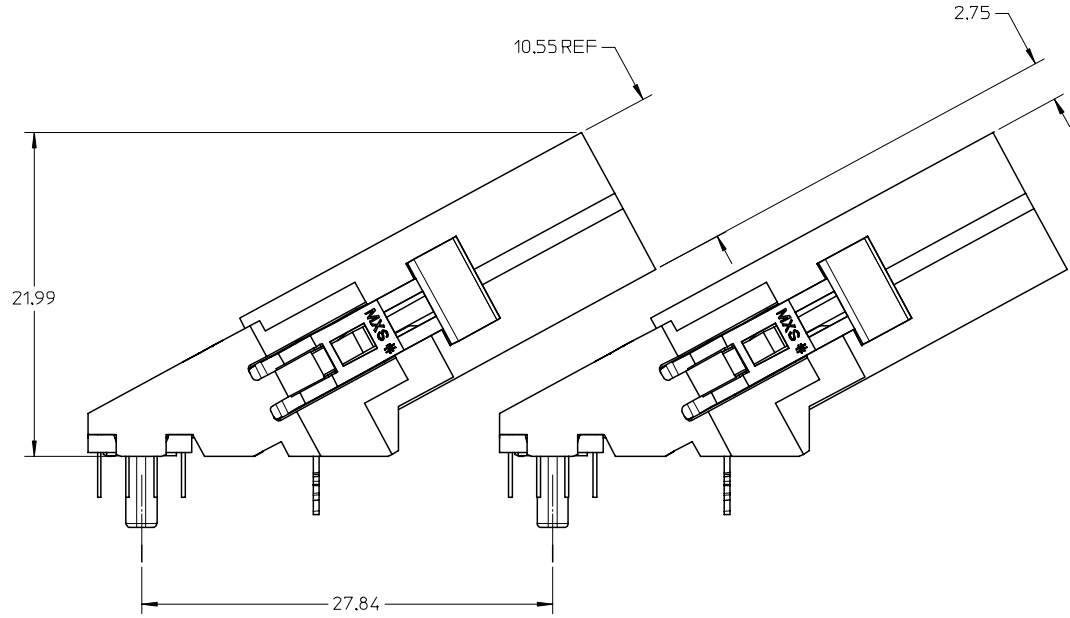
C

B

B

A

A



ADDED HSG. CORING
 EC NO: S2007-0413 2006/11/08
 DRWN:BLIM 2006/11/09
 CHKD:SHLENI 2006/11/09
 APPR:GGLLEE 2006/11/10

QUALITY SYMBOLS
 ▽=0
 ◻=0

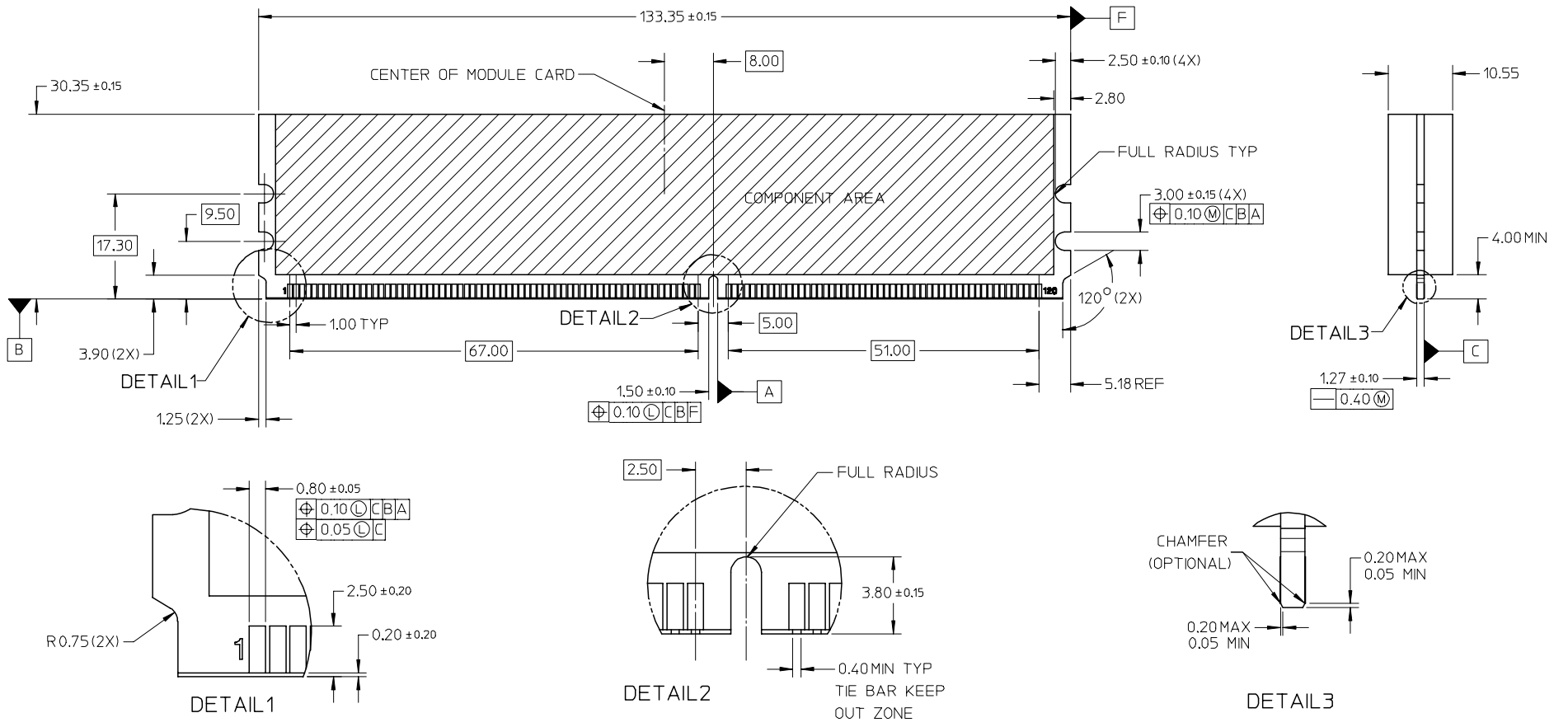
GENERAL TOLERANCES (UNLESS SPECIFIED)	
	mm
4 PLACES	± 0.2
3 PLACES	± 0.3
2 PLACES	± 0.4
1 PLACE	± 0.5
ANGULAR ± 1 °	

DIMENSION STYLE	
MM ONLY	
DRAWN BY	DATE
JTAN	2005/12/23
CHECKED BY	DATE
SRRAMESH	2006/02/03
APPROVED BY	DATE
GGLLEE	2006/02/06
MATERIAL NO.	
SEE TABLE	

SCALE	DESIGN UNITS	THIRD ANGLE PROJECTION
NTS	METRIC	☉
TITLE		
FB DIMM, 1.00MM PITCH		
240 CKTS, 28.5 DEG		
MOLEX INCORPORATED		
DOCUMENT NO.	SHEET NO.	
SD-87917-001	2 OF 6	

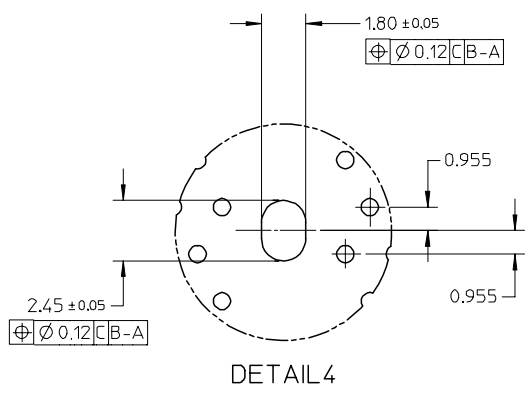
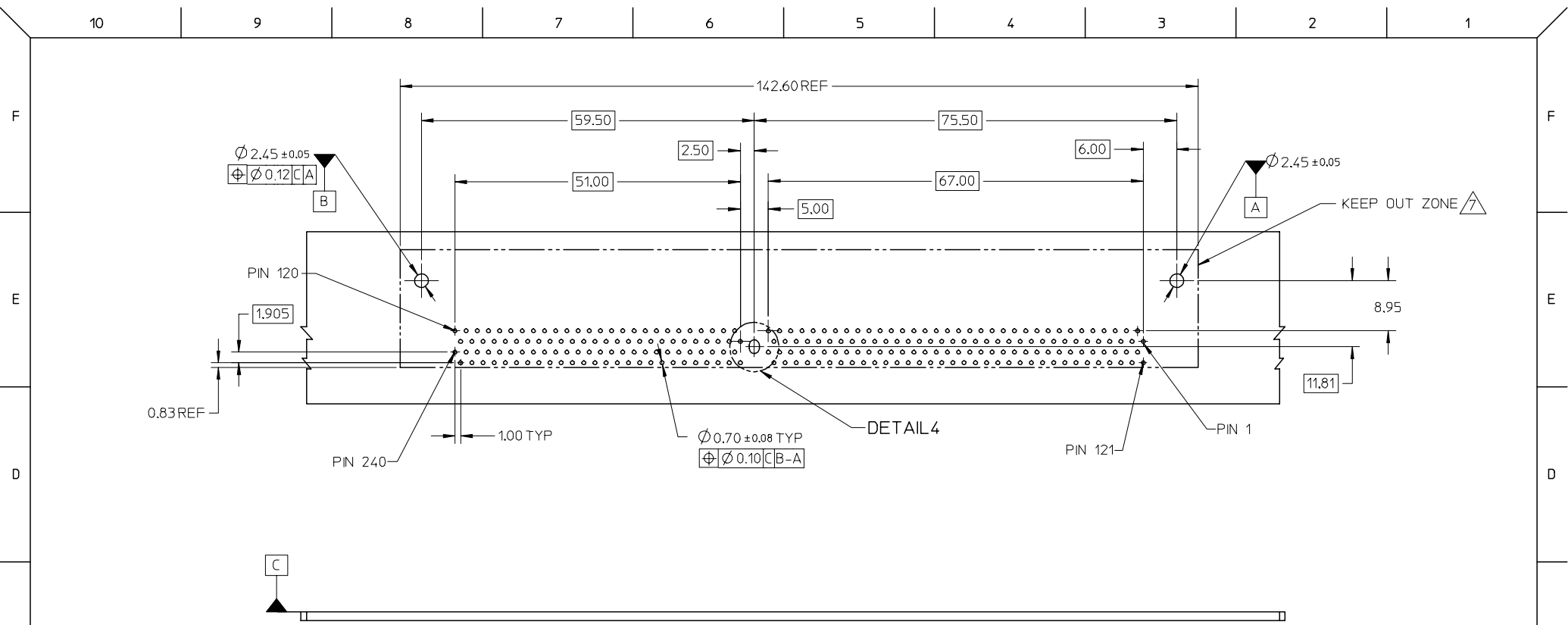
9 8 7 6 5 4 3 2 1

MODULE CARD
 FB DIMM,DUAL IN-LINE MEMORY MODULE FAMILY 1.00MM CONTACT CENTERS
 (PER JEDEC MO-256,DATE : 10/15)



- NOTES:
1. LEADING EDGE OF CONTACT PADS SPECIFIED BY THE KEEPOUT ZONE SHALL BE FREE OF BURRS AND EXTERNAL TIEBARS. FOR OPTIMUM PERFORMANCE, THE TIE IS TO BE ON AN INTERNAL LAYER SO THAT THE REMNANT CANNOT CAUSE CONTACT DAMAGE.
 2. THE CHAMFER IS A FABRICATION OPTION AND IS NOT REQUIRED.
 3. THE CHAMFER IS NOT TO HIT THE GOLD CONTACTS.

ADDED HSG. CORING EC NO: S2007-0413 DRWN:BLIM 2006/11/08 CHKD:SHLENI 2006/11/09 APPR:GGLLEE 2006/11/10	QUALITY SYMBOLS ▽=0 ▽=0	GENERAL TOLERANCES (UNLESS SPECIFIED)		DIMENSION STYLE MM ONLY		SCALE NTS	DESIGN UNITS METRIC	THIRD ANGLE PROJECTION		
			mm	INCH	DRAWN BY JTAN	DATE 2005/12/23	TITLE FB DIMM, 1.00MM PITCH 240 CKTS, 28.5 DEG			
			4 PLACES ± ---	± ---	CHECKED BY SRRAMESH	DATE 2006/02/03	MOLEX INCORPORATED DOCUMENT NO. SD-87917-001 SHEET NO. 3 OF 6			
			3 PLACES ± ---	± ---	APPROVED BY GGLLEE	DATE 2006/02/06				
	2 PLACES ± 0.2	± ---	MATERIAL NO.		DRAFT WHERE APPLICABLE MUST REMAIN WITHIN DIMENSIONS					
	1 PLACE ± 0.5	± ---	SIZE A3		SEE TABLE					
	ANGULAR ± 1 °		THIS DRAWING CONTAINS INFORMATION THAT IS PROPRIETARY TO MOLEX INCORPORATED AND SHOULD NOT BE USED WITHOUT WRITTEN PERMISSION							



ADDED HSG. CORING	2006/11/08
EC NO: S2007-0413	2006/11/09
DRWN:BLIM	2006/11/09
CHKD:SHLENI	2006/11/10
APPR:GGLLEE	

REV	DESCRIPTION
B3	

QUALITY SYMBOLS	▽=0	∇=0																		
GENERAL TOLERANCES (UNLESS SPECIFIED)	<table border="1"> <thead> <tr> <th></th> <th>mm</th> <th>INCH</th> </tr> </thead> <tbody> <tr> <td>4 PLACES</td> <td>± ---</td> <td>± ---</td> </tr> <tr> <td>3 PLACES</td> <td>± ---</td> <td>± ---</td> </tr> <tr> <td>2 PLACES</td> <td>± 0.2</td> <td>± ---</td> </tr> <tr> <td>1 PLACE</td> <td>± 0.5</td> <td>± ---</td> </tr> <tr> <td colspan="3">ANGULAR ± 1 °</td> </tr> </tbody> </table>			mm	INCH	4 PLACES	± ---	± ---	3 PLACES	± ---	± ---	2 PLACES	± 0.2	± ---	1 PLACE	± 0.5	± ---	ANGULAR ± 1 °		
	mm	INCH																		
4 PLACES	± ---	± ---																		
3 PLACES	± ---	± ---																		
2 PLACES	± 0.2	± ---																		
1 PLACE	± 0.5	± ---																		
ANGULAR ± 1 °																				
DRAFT WHERE APPLICABLE MUST REMAIN WITHIN DIMENSIONS																				

DIMENSION STYLE		SCALE	DESIGN UNITS	THIRD ANGLE PROJECTION
MM ONLY		NTS	METRIC	
DRAWN BY	DATE	TITLE		
JTAN	2005/12/23	FB DIMM, 1.00MM PITCH 240 CKTS, 28.5 DEG		
CHECKED BY	DATE			
SRRAMESH	2006/02/03			
APPROVED BY	DATE			
GGLLEE	2006/02/06			
MATERIAL NO.	DOCUMENT NO.	SHEET NO.		
	SD-87917-001	4 OF 6		

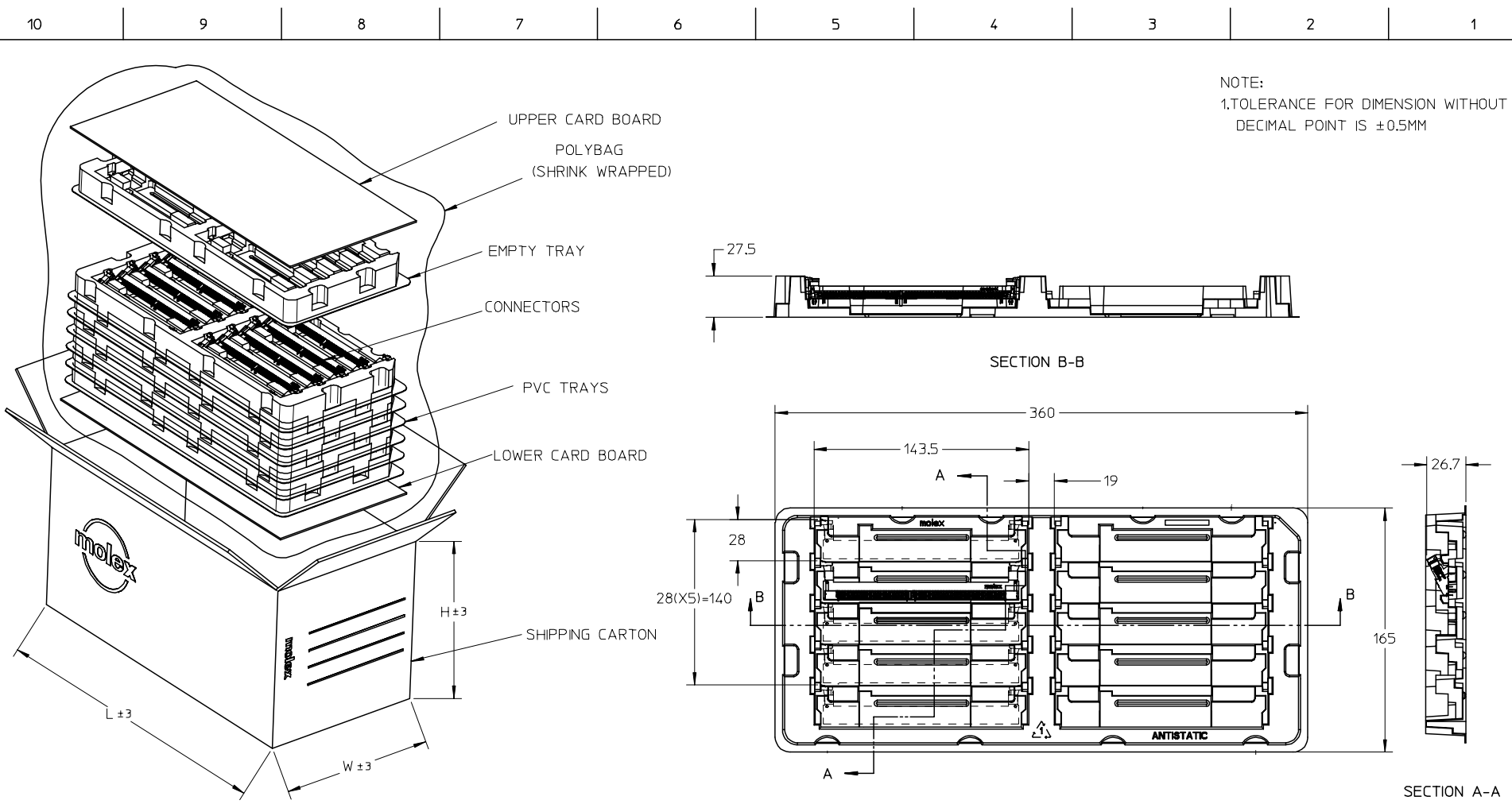
MOLEX INCORPORATED	SEE TABLE
THIS DRAWING CONTAINS INFORMATION THAT IS PROPRIETARY TO MOLEX INCORPORATED AND SHOULD NOT BE USED WITHOUT WRITTEN PERMISSION	

10 9 8 7 6 5 4 3 2 1

PART NO.	VOLTAGE KEY	DIM 'P'	DIM 'D'	RECOMMENDED PCB THICKNESS	CONTACT AREA PLATING	SOLDERTAIL PLATING
87917-0001	CENTER (1.8V)	2.79	3.18	1.57	0.38uM/15uIN GOLD OVER 1.27uM/50uIN MIN NICKEL	2.54uM/100uIN MIN TIN OVER 1.27uM/50uIN MIN NICKEL
87917-0052					0.76uM/30uIN GOLD OVER 1.27uM/50uIN MIN NICKEL	
87917-0011		3.18	4.83	2.36	0.76uM/30uIN GOLD OVER 1.27uM/50uIN MIN NICKEL	
87917-0012					0.38uM/15uIN GOLD OVER 1.27uM/50uIN MIN NICKEL	

ADDED HSG. CORING EC NO: S2007-0413 DRWN:BLIM CHKD:SHLENI APPR:GGLLEE	2006/11/08 2006/11/09 2006/11/10	DESCRIPTION REV	QUALITY SYMBOLS ▽=0 ◻=0	GENERAL TOLERANCES (UNLESS SPECIFIED)		DIMENSION STYLE MM ONLY		SCALE NTS	DESIGN UNITS METRIC	THIRD ANGLE PROJECTION		
					mm	INCH	DRAWN BY JTAN	DATE 2005/12/23	TITLE FB DIMM, 1.00MM PITCH 240 CKTS, 28.5 DEG			
				4 PLACES	± ---	± ---	CHECKED BY SRRAMESH	DATE 2006/02/03	MOLEX INCORPORATED SD-87917-001			
				3 PLACES	± ---	± ---	APPROVED BY GGLLEE	DATE 2006/02/06				
2 PLACES	± 0.2	± ---	ANGULAR ± 1 °		MATERIAL NO.	DOCUMENT NO.	SHEET NO.					
1 PLACE	± 0.5	± ---	DRAFT WHERE APPLICABLE MUST REMAIN WITHIN DIMENSIONS		SEE TABLE	SD-87917-001	5 OF 6					

9 8 7 6 5 4 3 2 1



NOTE:
1.TOLERANCE FOR DIMENSION WITHOUT DECIMAL POINT IS ±0.5MM

PACKAGING

TRAY

CARTON DIMENSIONS (MAX)	PARTS PER TRAY	TRAYS PER CARTON (EXC. EMPTY TRAY)	TOTAL PARTS PER CARTON	GROSS WEIGHT (KG)
L = 371 W = 184 H = 192	10	6	60	1.5

ADDED HSG. CORING EC NO: S2007-0413 DRWN:BLIM CHKD:SHLENI APPR:GGLLEE	2006/11/08 2006/11/09 2006/11/10	DESCRIPTION REV
B3		

QUALITY SYMBOLS ▽=0 ◻=0	GENERAL TOLERANCES (UNLESS SPECIFIED)
	mm INCH
	4 PLACES ± --- ± ---
	3 PLACES ± --- ± ---
	2 PLACES ± 0.2 ± ---
	1 PLACE ± 0.5 ± ---
	ANGULAR ± 1 °
	DRAFT WHERE APPLICABLE MUST REMAIN WITHIN DIMENSIONS

DIMENSION STYLE MM ONLY	SCALE NTS	DESIGN UNITS METRIC	THIRD ANGLE PROJECTION
DRAWN BY JTAN	DATE 2005/12/23	TITLE FB DIMM, 1.00MM PITCH 240 CKTS, 28.5 DEG	
CHECKED BY SRRAMESH	DATE 2006/02/03		
APPROVED BY GGLLEE	DATE 2006/02/06		
MATERIAL NO.	DOCUMENT NO. SD-87917-001	MOLEX INCORPORATED	
SIZE A3	SEE TABLE	SHEET NO. 6 OF 6	
THIS DRAWING CONTAINS INFORMATION THAT IS PROPRIETARY TO MOLEX INCORPORATED AND SHOULD NOT BE USED WITHOUT WRITTEN PERMISSION			