

PLEASE CHECK WWW.MOLEX.COM FOR LATEST PART INFORMATION

Part Number: [0391001102](#)
Status: **Active**
Description: 10.00mm (.394") Pitch Beau™ Eurostyle™ Two-Screw Terminal Strips, 2 Circuits, Low Profile

Documents:

[3D Model](#) [RoHS Certificate of Compliance \(PDF\)](#)
[Drawing \(PDF\)](#)

Agency Certification

CSA 25562
 UL E82573

General

Product Family Terminal Blocks
 Series [39100](#)
 Application Wire-to-Wire
 Component Type One Piece
 Product Literature Order No USA-303
 Product Name Eurostyle™ Two Screw
 Type Euro Block

Physical

Circuits (Loaded) 2
 Entry Angle Horizontal
 Flammability 94V-2
 Lock to Mating Part None
 Number of Rows 2
 Orientation Vertical
 PCB Retention Yes
 Panel Mount Mounting Holes Between Circuit
 Pitch - Mating Interface (in) 0.394 In
 Pitch - Mating Interface (mm) 10.00 mm
 Pitch - Term. Interface (in) 0.315 In
 Pitch - Term. Interface (mm) 8.00 mm
 Polarized to Mating Part No
 Stackable No
 Temperature Range - Operating 100°C
 Wire Size AWG 10, 12, 14, 16, 18

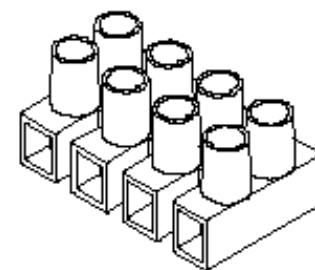
Electrical

Current - Maximum per Contact 30A
 Voltage - Maximum 300V

Material Info

Reference - Drawing Numbers

Sales Drawing SD-39100-003



Series

image - Reference only

EU RoHS

ELV and RoHS Compliant
REACH SVHC
 Not Reviewed
Halogen-Free Status
Not Reviewed

China RoHS



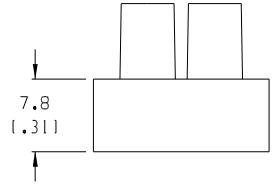
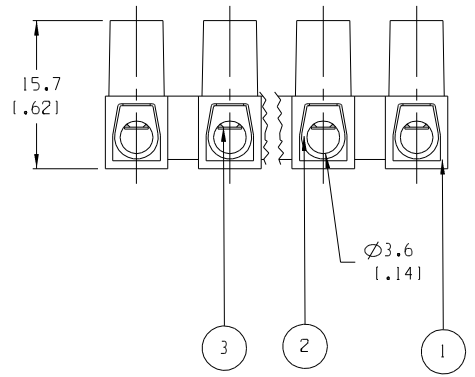
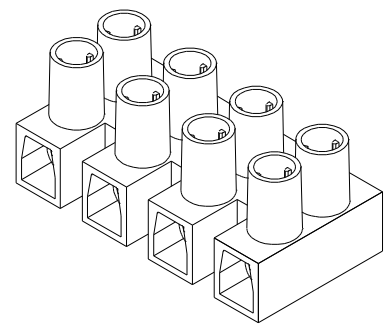
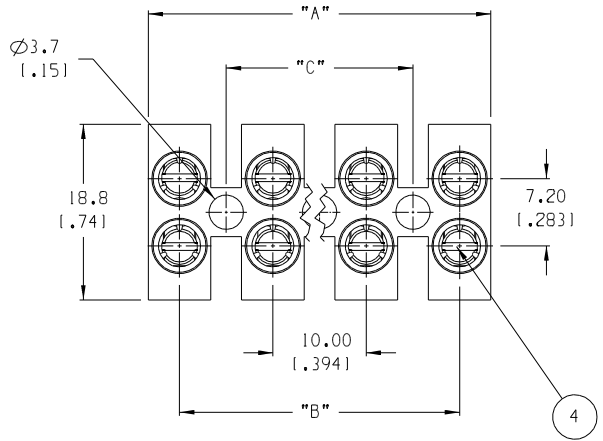
Need more information on product environmental compliance?

Email productcompliance@molex.com
 For a multiple part number RoHS Certificate of Compliance, [click here](#)

Please visit the [Contact Us](#) section for any non-product compliance questions.

Search Parts in this Series

[39100Series](#)



NUMBER OF CIRCUITS	"A" DIM.	"B" DIM.	"C" DIM.	MATERIAL NUMBER
01	7.00 [2.761]	N/A	N/A	391001101
02	17.00 [1.6691]	10.00 [1.394]	N/A	391001102
03	27.00 [1.0631]	20.00 [1.7871]	10.00 [1.394]	391001103
04	37.00 [1.4571]	30.00 [1.1811]	20.00 [1.7871]	391001104
05	47.00 [1.8501]	40.00 [1.5751]	30.00 [1.1811]	391001105
06	57.00 [2.2441]	50.00 [1.9691]	40.00 [1.5751]	391001106
07	67.00 [2.6381]	60.00 [2.3621]	50.00 [1.9691]	391001107
08	77.00 [3.0311]	70.00 [2.7561]	60.00 [2.3621]	391001108
09	87.00 [3.4251]	80.00 [3.1501]	70.00 [2.7561]	391001109
10	97.00 [3.8191]	90.00 [3.5431]	80.00 [3.1501]	391001110
11	107.00 [4.2131]	100.00 [3.9371]	90.00 [3.5431]	391001111
12	117.00 [4.6061]	110.00 [4.3311]	100.00 [3.9371]	391001112

- NOTES:
1. MATERIAL: SEE TABLE
 2. FINISHES: SEE TABLE
 3. PRODUCT SPECIFICATION: NOT REQUIRED
 4. PACKAGING: NOT REQUIRED
 5. MATES WITH: NONE
 6. "XX" REFERS TO THE NUMBER OF CIRCUITS

ITEM	QTY.	DESCRIPTION	MATERIAL	FINISH
4	XX*2	CLAMPING SCREWS, M3	STEEL	ZINC
3	XX	WIRE PROTECTOR	BRASS	NICKEL
2	XX	TERMINAL	BRASS	NICKEL
1	1	INSULATOR	NYLON 6	CLEAR

EC NO. RELEASED DRAWN: JF 09-09-04 CH: K1 APPR:	DESCRIPTION MAJOR CRITICAL SPC S	GENERAL TOLERANCES: (UNLESS SPECIFIED) mm INCH 4 PLACES ±.0015 3 PLACES ±.038 ±.005 2 PLACES ±.13 ±.01 1 PLACE ±.3		SCALE: 2:1 DESIGN UNITS: <input type="checkbox"/> mm <input checked="" type="checkbox"/> INCH	THIRD ANGLE PROJECTION	PROJECT NO.: DIMENSIONS: <input checked="" type="checkbox"/> mm <input type="checkbox"/> INCH <input type="checkbox"/> mm ONLY	SHEET REV REVISE ON CAD ONLY
		DRAWN BY & DATE J. FARMER 09-09-04		CHECKED BY & DATE		TITLE: 10MM PITCH LOW PROFILE WITH WIRE PROTECTORS	
		APPROVED BY & DATE		CAD FILENAME 39100-11XX		MATERIAL NO. SEE CHART DRAWING NO. SD-39100-003 SHEET NO. 1 OF 1	
		DRAFT WHERE APPLICABLE MUST REMAIN WITHIN DIMENSIONS		THIS DRAWING CONTAINS INFORMATION THAT IS PROPRIETARY TO MOLEX INCORPORATED AND SHOULD NOT BE USED WITHOUT WRITTEN PERMISSION.		SIZE B	