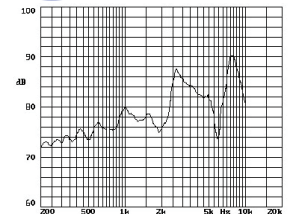
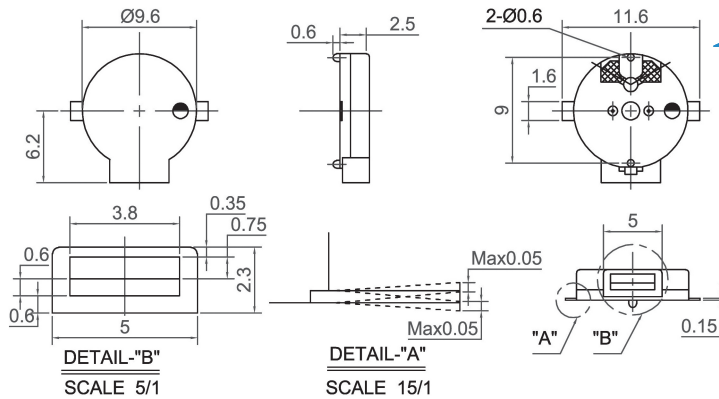
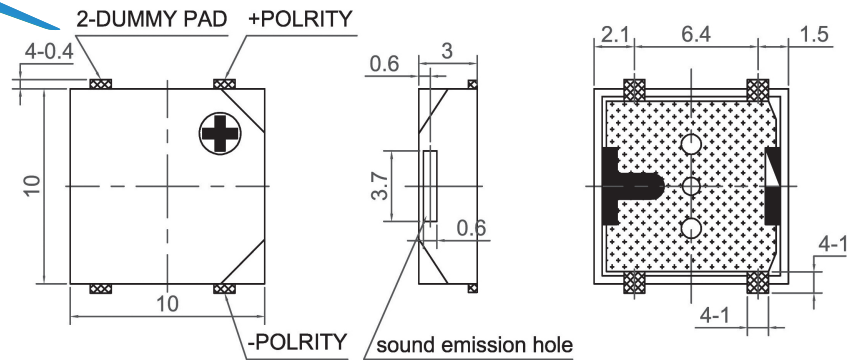
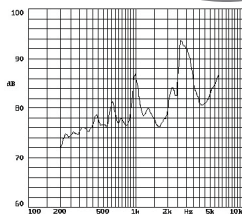
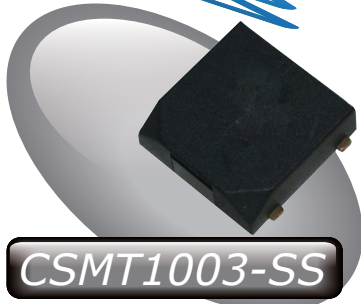


SMD Magnetic Transducer (AC)

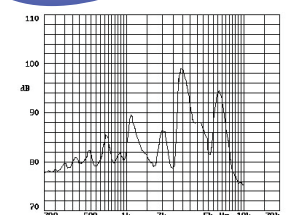
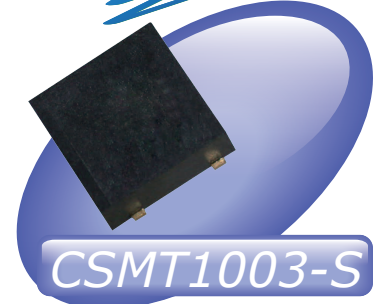
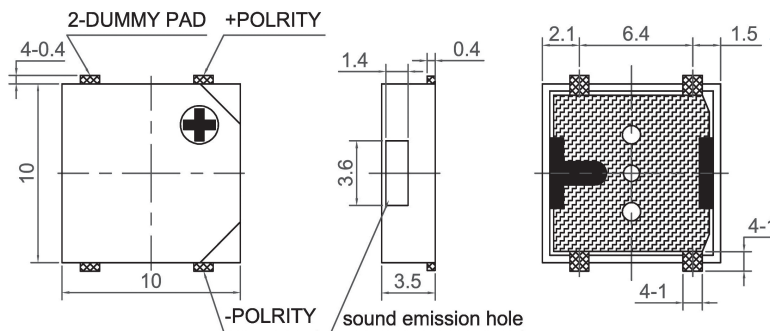


Canopus Part no.	Operating Voltage (V)	Rated Voltage (V)	Max Rated Current (mA)	Coil Resistance (Ω)	Min Sound Output (dBA)	Resonant Frequency (Hz)	Operating Temperature ($^{\circ}$ C)	Housing	Weight (g)
CSMT1002D2731LX	2 ~ 5	3.6	80	16 ± 2.4	85 at 10cm	2731	-30 ~ +70	LCP	0.45

CANOPUS



Canopus Part no.	Operating Voltage (V)	Rated Voltage (V)	Max Rated Current (mA)	Coil Resistance (Ω)	Min Sound Output (dBA)	Resonant Frequency (Hz)	Operating Temperature ($^{\circ}$ C)	Housing	Weight (g)
CSMT1003D2670LS	2.5 ~ 4.5	3.6	70	22.5 ± 3	85 at 10cm	2670	-20 ~ +60	PA46	0.7



Canopus Part no.	Operating Voltage (V)	Rated Voltage (V)	Max Rated Current (mA)	Coil Resistance (Ω)	Min Sound Output (dBA)	Resonant Frequency (Hz)	Operating Temperature ($^{\circ}$ C)	Housing	Weight (g)
CSMT1003D2830LS	3 ~ 4.6	3.6	100	18 ± 5	93 at 10cm	2830	-20 ~ +70	LCP	0.9
CSMT1003D3100LS	2.5 ~ 4.5	3.6	70	22.5 ± 3	85 at 10cm	3100	-30 ~ +60	PA46	0.7

Your Efficient Supplier
www.canopus.com.hk

TEL.: (852) 2806 2812 Fax: (852) 2652 2216