



MX27C1000

1M-BIT [128K x 8] CMOS EPROM

FEATURES

- 128K x 8 organization
- Single +5V power supply
- +12.5V programming voltage
- Fast access time: 45/55/70/90/100/120/150 ns
- Totally static operation
- Completely TTL compatible
- Operating current: 30mA
- Standby current: 100uA
- Package type:
 - 32 pin plastic DIP
 - 32 pin SOP
 - 32 pin PLCC
 - 32 pin TSOP

GENERAL DESCRIPTION

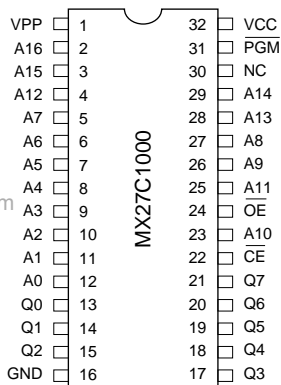
The MX27C1000 is a 5V only, 1M-bit, One Time Programmable Read Only Memory. It is organized as 128K words by 8 bits per word, operates from a single + 5 volt supply, has a static standby mode, and features fast single address location programming. All programming signals are TTL levels, requiring a single pulse. For programming outside from the system, existing EPROM

programmers may be used. The MX27C1000 supports an intelligent fast programming algorithm which can result in programming time of less than thirty seconds.

This EPROM is packaged in industry standard 32 pin dual-in-line packages, 32 lead PLCC, 32 lead SOP, and 32 lead TSOP packages.

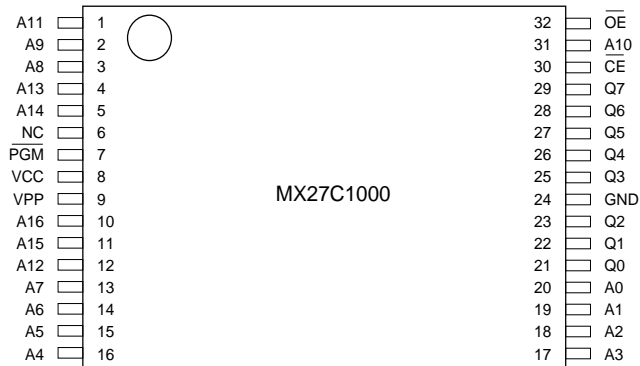
PIN CONFIGURATIONS

PDIP/SOP

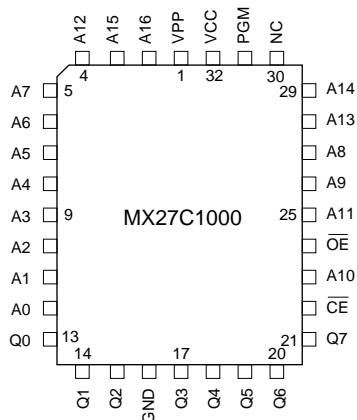


www.DataSheet4U.com

TSOP



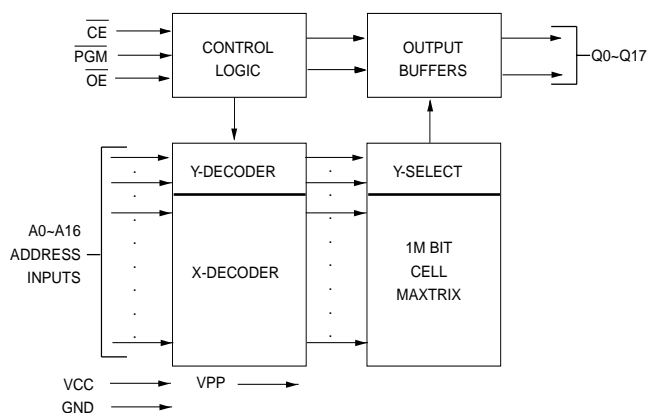
PLCC





MX27C1000

BLOCK DIAGRAM



PIN DESCRIPTION

| SYMBOL | PIN NAME |
|-----------------|---------------------------|
| A0~A16 | Address Input |
| Q0~Q7 | Data Input/Output |
| \overline{CE} | Chip Enable Input |
| \overline{OE} | Output Enable Input |
| PGM | Programmable Enable Input |
| VPP | Program Supply Voltage |
| NC | No Internal Connection |
| VCC | Power Supply Pin (+5V) |
| GND | Ground Pin |

FUNCTIONAL DESCRIPTION

THE PROGRAMMING OF THE MX27C1000

When the MX27C1000 is delivered, or it is erased, the chip has all 1M bits in the "ONE" or HIGH state. "ZEROS" are loaded into the MX27C1000 through the procedure of programming.

For programming, the data to be programmed is applied with 8 bits in parallel to the data pins.

Vcc must be applied simultaneously or before Vpp, and removed simultaneously or after Vpp. When programming an MXIC EPROM, a 01.µF capacitor is required across Vpp and ground to suppress spurious voltage transients which may damage the device.

FAST PROGRAMMING

The device is set up in the fast programming mode when the programming voltage $VPP = 12.75V$ is applied, with $VCC = 6.25V$ and $PGM = VIL$ (or $\overline{OE} = VIH$) (Algorithm is shown in Figure 1). The programming is achieved by applying a single TTL low level 100µs pulse to the PGM input after addresses and data line are stable. If the data is not verified, an additional pulse is applied for a maximum of 25 pulses. This process is repeated while sequencing through each address of the device. When the programming mode is completed, the data in all address is verified at $VCC = VPP = 5V \pm 10\%$.

PROGRAM INHIBIT MODE

Programming of multiple MX27C1000s in parallel with different data is also easily accomplished by using the Program Inhibit Mode. Except for \overline{CE} and \overline{OE} , all like inputs of the parallel MX27C1000 may be common. A TTL low-level program pulse applied to an MX27C1000 \overline{CE} input with $VPP = 12.5 \pm 0.5V$ and \overline{PGM} LOW will program that MX27C1000. A high-level \overline{CE} input inhibits the other MX27C1000s from being programmed.

PROGRAM VERIFY MODE

Verification should be performed on the programmed bits to determine that they were correctly programmed. The verification should be performed with \overline{OE} and \overline{CE} at VIL , PGM at VIH , and VPP at its programming voltage.

AUTO IDENTIFY MODE

The auto identify mode allows the reading out of a binary code from an EPROM that will identify its manufacturer and device type. This mode is intended for use by programming equipment for the purpose of automatically matching the device to be programmed with its corresponding programming algorithm. This mode is functional in the $25^\circ C \pm 5^\circ C$ ambient temperature range that is required when programming the MX27C1000.



MX27C1000

To activate this mode, the programming equipment must force 12.0 ± 0.5 V on address line A9 of the device. Two identifier bytes may then be sequenced from the device outputs by toggling address line A0 from VIL to VIH. All other address lines must be held at VIL during auto identify mode.

Byte 0 (A0 = VIL) represents the manufacturer code, and byte 1 (A0 = VIH), the device identifier code. For the MX27C1000, these two identifier bytes are given in the Mode Select Table. All identifiers for manufacturer and device codes will possess odd parity, with the MSB (DQ7) defined as the parity bit.

READ MODE

The MX27C1000 has two control functions, both of which must be logically satisfied in order to obtain data at the outputs. Chip Enable (CE) is the power control and should be used for device selection. Output Enable (OE) is the output control and should be used to gate data to the output pins, independent of device selection. Assuming that addresses are stable, address access time (tACC) is equal to the delay from CE to output (tCE). Data is available at the outputs tQE after the falling edge of OE, assuming that CE has been LOW and addresses have been stable for at least tACC - tQE.

STANDBY MODE

www.DataSheet4U.com

The MX27C1000 has a CMOS standby mode which reduces the maximum VCC current to 100 μ A. It is placed in CMOS standby when CE is at $VCC \pm 0.3$ V. The MX27C1000 also has a TTL-standby mode which reduces the maximum VCC current to 1.5 mA. It is placed in TTL-standby when CE is at VIH. When in standby mode, the outputs are in a high-impedance state, independent of the OE input.

TWO-LINE OUTPUT CONTROL FUNCTION

To accommodate multiple memory connections, a two-line control function is provided to allow for:

1. Low memory power dissipation,
2. Assurance that output bus contention will not occur.

It is recommended that \overline{CE} be decoded and used as

the primary device-selecting function, while \overline{OE} be made a common connection to all devices in the array and connected to the READ line from the system control bus. This assures that all deselected memory devices are in their low-power standby mode and that the output pins are only active when data is desired from a particular memory device.

SYSTEM CONSIDERATIONS

During the switch between active and standby conditions, transient current peaks are produced on the rising and falling edges of Chip Enable. The magnitude of these transient current peaks is dependent on the output capacitance loading of the device. At a minimum, a 0.1 μ F ceramic capacitor (high frequency, low inherent inductance) should be used on each device between VCC and GND to minimize transient effects. In addition, to overcome the voltage drop caused by the inductive effects of the printed circuit board traces on EPROM arrays, a 4.7 μ F bulk electrolytic capacitor should be used between VCC and GND for each eight devices. The location of the capacitor should be close to where the power supply is connected to the array.



MX27C1000

MODE SELECT TABLE

| MODE | PINS | | | | | | |
|-------------------------|------------------------|------------------------|-------------------------|-----|----|-----|---------|
| | $\overline{\text{CE}}$ | $\overline{\text{OE}}$ | $\overline{\text{PGM}}$ | A0 | A9 | VPP | OUTPUTS |
| Read | VIL | VIL | X | X | X | VCC | DOUT |
| Output Disable | VIL | VIH | X | X | X | VCC | High Z |
| Standby (TTL) | VIH | X | X | X | X | VCC | High Z |
| Standby (CMOS) | VCC±0.3V | X | X | X | X | VCC | High Z |
| Program | VIL | VIH | VIL | X | X | VPP | DIN |
| Program Verify | VIL | VIL | VIH | X | X | VPP | DOUT |
| Program Inhibit | VIH | X | X | X | X | VPP | High Z |
| Manufacturer Code(3) | VIL | VIL | X | VIL | VH | VCC | C2H |
| Device Code(27C1000)(3) | VIL | VIL | X | VIH | VH | VCC | 0EH |

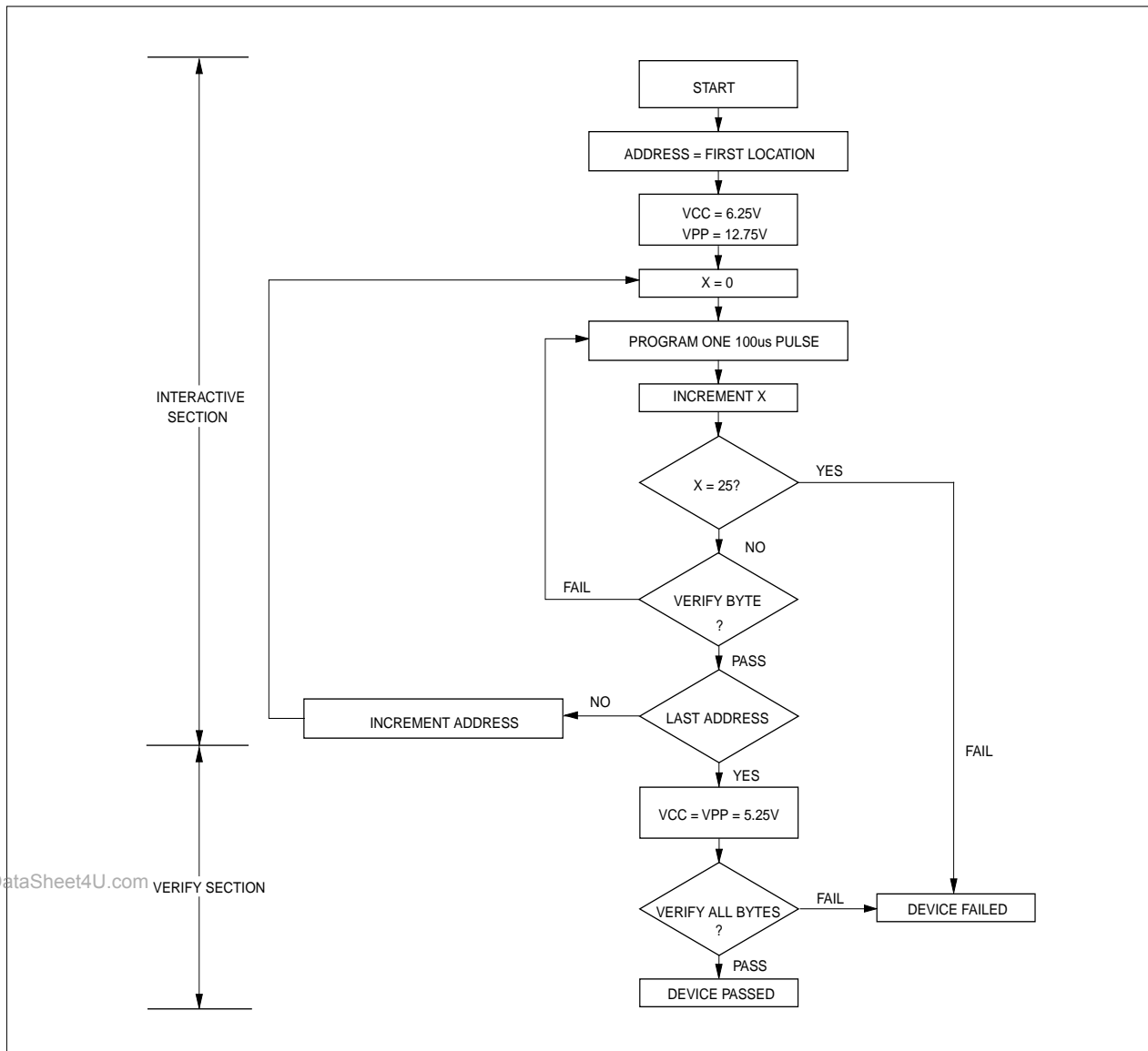
NOTES:

1. VH = 12.0 V ± 0.5 V
2. X = Either VIH or VIL
3. A1 - A8 = A10 - A16 = VIL(For auto select)
4. See DC Programming Characteristics for VPP voltage during programming.

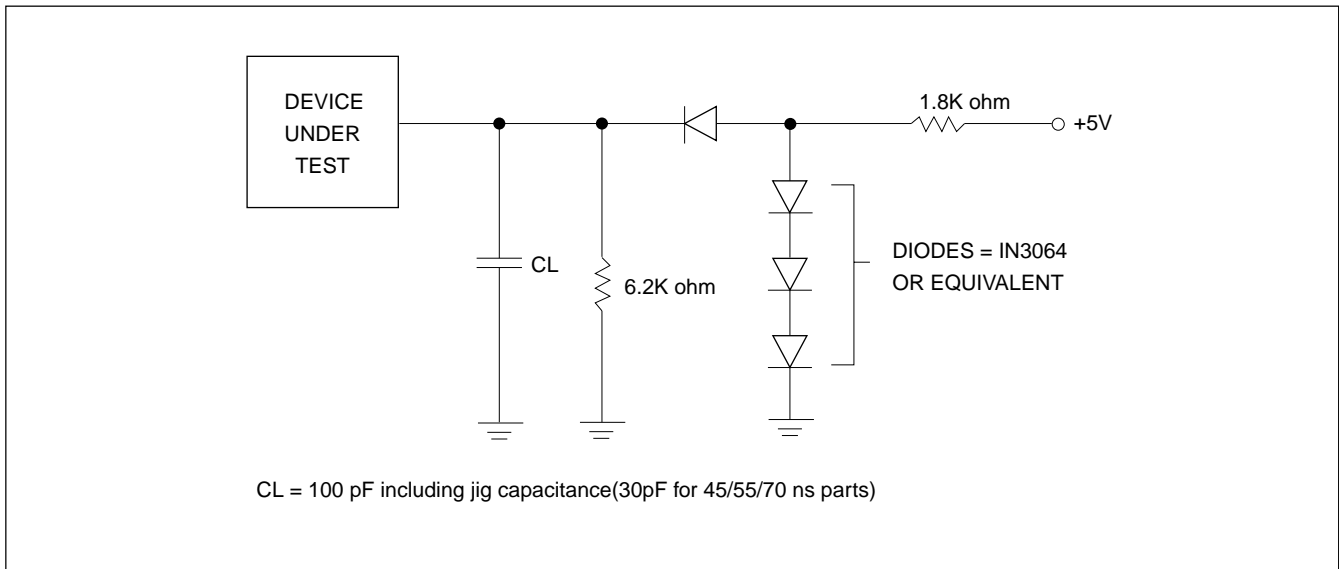


MX27C1000

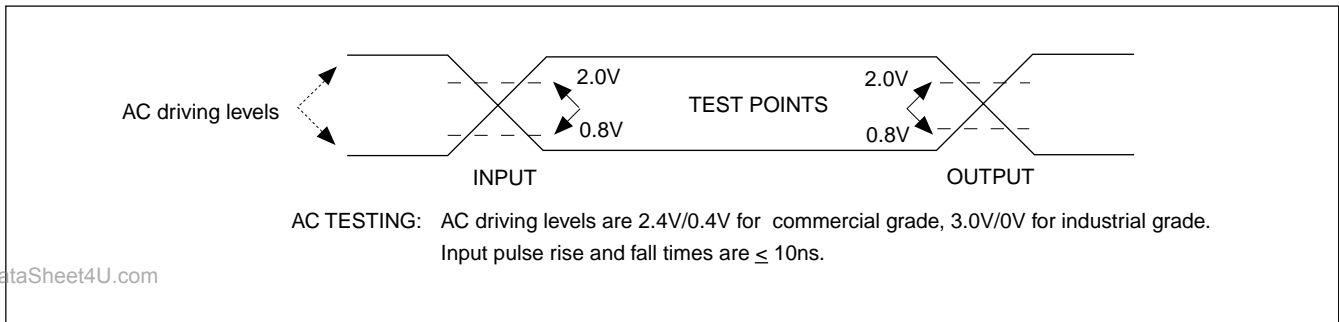
FIGURE 1. FAST PROGRAMMING FLOW CHART



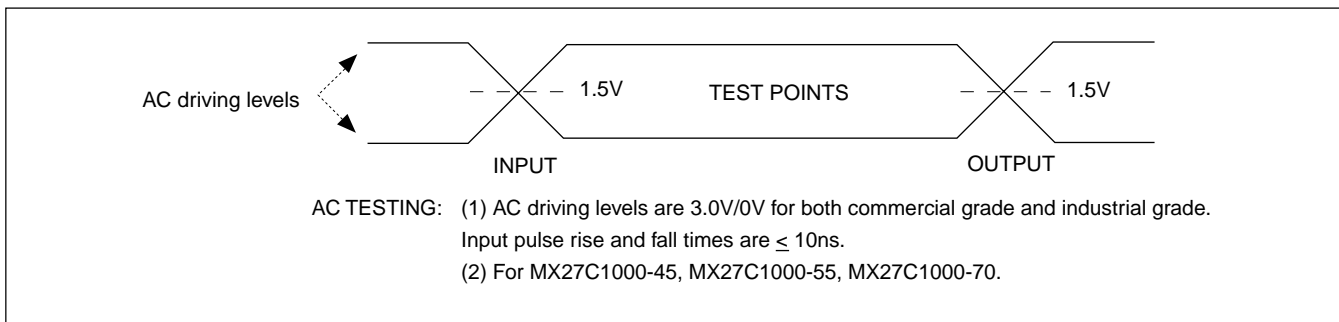
SWITCHING TEST CIRCUITS



SWITCHING TEST WAVEFORMS



www.DataSheet4U.com





MX27C1000

ABSOLUTE MAXIMUM RATINGS

| RATING | VALUE |
|-------------------------------|---------------------|
| Ambient Operating Temperature | -40°C to 125°C |
| Storage Temperature | -65°C to 125°C |
| Applied Input Voltage | -0.5V to 7.0V |
| Applied Output Voltage | -0.5V to VCC + 0.5V |
| VCC to Ground Potential | -0.5V to 7.0V |
| A9 & Vpp | -0.5V to 13.5V |

NOTICE:

Stresses greater than those listed under ABSOLUTE MAXIMUM RATINGS may cause permanent damage to the device. This is a stress rating only and functional operation of the device at these or any other conditions above those indicated in the operational sections of this specification is not implied. Exposure to absolute maximum rating conditions for extended period may affect reliability.

NOTICE:

Specifications contained within the following tables are subject to change.

DC/AC Operating Conditions for Read Operation

| | | MX27C1000 | | | | | | |
|-----------------------|------------|-------------|---------------|---------------|----------------|----------------|----------------|----------------|
| | | -45 | -55 | -70 | -90 | -10 | -12 | -15 |
| Operating Temperature | Commercial | 0°C to 70°C | 0°C to 70°C | 0°C to 70°C | 0°C to 70°C | 0°C to 70°C | 0°C to 70°C | 0°C to 70°C |
| | Industrial | | -40°C to 85°C | -40°C to 85°C | -40°C to 85°C | -40°C to 85°C | -40°C to 85°C | -40°C to 85°C |
| | Automotive | | | | -40°C to 125°C | -40°C to 125°C | -40°C to 125°C | -40°C to 125°C |
| Vcc Power Supply | | 5V ± 5% | 5V ± 5% | 5V ± 10% | 5V ± 10% | 5V ± 10% | 5V ± 10% | 5V ± 10% |

DC CHARACTERISTICS

| SYMBOL | PARAMETER | MIN. | MAX. | UNIT | CONDITIONS |
|--------|-------------------------|------|-----------|------|---|
| VOH | Output High Voltage | 2.4 | | V | IOH = -0.4mA |
| VOL | Output Low Voltage | | 0.4 | V | IOL = 2.1mA |
| VIH | Input High Voltage | 2.0 | VCC + 0.5 | V | |
| VIL | Input Low Voltage | -0.2 | 0.8 | V | |
| ILI | Input Leakage Current | -10 | 10 | uA | VIN = 0 to 5.5V |
| ILO | Output Leakage Current | -10 | 10 | uA | VOUT = 0 to 5.5V |
| ICC3 | VCC Power-Down Current | | 100 | uA | $\overline{CE} = VCC \pm 0.3V$ |
| ICC2 | VCC Standby Current | | 1.5 | mA | $\overline{CE} = VIH$ |
| ICC1 | VCC Active Current | | 30 | mA | $\overline{CE} = VIL, f=5MHz, Iout = 0mA$ |
| IPP | VPP Supply Current Read | | 10 | uA | $\overline{CE} = VIL, VPP = 5.5V$ |

CAPACITANCE TA = 25°C, f = 1.0 MHz (Sampled only)

| SYMBOL | PARAMETER | MIN. | MAX. | UNIT | CONDITIONS |
|--------|--------------------|------|------|------|------------|
| CIN | Input Capacitance | 8 | 12 | pF | VIN = 0V |
| COUT | Output Capacitance | 8 | 12 | pF | VOUT = 0V |
| Vpp | VPP Capacitance | 18 | 25 | pF | VPP = 0V |



MX27C1000

AC CHARACTERISTICS

| SYMBOL | PARAMETER | 27C1000-45 | | 27C1000-55 | | 27C1000-70 | | UNIT | CONDITIONS |
|--------|---|------------|------|------------|------|------------|------|------|---------------------------------------|
| | | MIN. | MAX. | MIN. | MAX. | MIN. | MAX. | | |
| tACC | Address to Output Delay | | 45 | | 55 | | 70 | ns | $\overline{CE} = \overline{OE} = VIL$ |
| tCE | Chip Enable to Output Delay | | 45 | | 55 | | 70 | ns | $\overline{OE} = VIL$ |
| tOE | Output Enable to Output Delay | | 25 | | 30 | | 35 | ns | $\overline{CE} = VIL$ |
| tDF | \overline{OE} High to Output Float, or \overline{CE} High to Output Float | 0 | 17 | 0 | 20 | 0 | 20 | ns | |
| tOH | Output Hold from Address, \overline{CE} or \overline{OE} which ever occurred first | 0 | | 0 | | 0 | | ns | |

| SYMBOL | PARAMETER | 27C1000-90 | | 27C1000-10 | | 27C1000-12 | | 27C1000-15 | | UNIT | CONDITIONS |
|--------|---|------------|------|------------|------|------------|------|------------|------|------|---------------------------------------|
| | | MIN. | MAX. | MIN. | MAX. | MIN. | MAX. | MIN. | MAX. | | |
| tACC | Address to Output Delay | | 90 | | 100 | | 120 | | 150 | ns | $\overline{CE} = \overline{OE} = VIL$ |
| tCE | Chip Enable to Output Delay | | 90 | | 100 | | 120 | | 150 | ns | $\overline{OE} = VIL$ |
| tOE | Output Enable to Output Delay | | 40 | | 45 | | 50 | | 65 | ns | $\overline{CE} = VIL$ |
| tDF | \overline{OE} High to Output Float, or \overline{CE} High to Output Float | 0 | 25 | 0 | 30 | 0 | 35 | 0 | 50 | ns | |
| tOH | Output Hold from Address, \overline{CE} or \overline{OE} which ever occurred first | 0 | | 0 | | 0 | | 0 | | ns | |

DC PROGRAMMING CHARACTERISTICS $T_A = 25^\circ\text{C} \pm 5^\circ\text{C}$

| SYMBOL | PARAMETER | MIN. | MAX. | UNIT | CONDITIONS |
|--------|---------------------------------------|------|----------------|---------------|--|
| VOH | Output High Voltage | 2.4 | | V | $I_{OH} = -0.40\text{mA}$ |
| VOL | Output Low Voltage | | 0.4 | V | $I_{OL} = 2.1\text{mA}$ |
| VIH | Input High Voltage | 2.0 | $V_{CC} + 0.5$ | V | |
| VIL | Input Low Voltage | -0.3 | 0.8 | V | |
| ILI | Input Leakage Current | -10 | 10 | μA | $V_{IN} = 0 \text{ to } 5.5\text{V}$ |
| VH | A9 Auto Select Voltage | 11.5 | 12.5 | V | |
| ICC3 | VCC Supply Current (Program & Verify) | | 50 | mA | |
| IPP2 | VPP Supply Current(Program) | | 30 | mA | $\overline{CE} = \text{PGM} = VIL,$ $\overline{OE} = VIH$ |
| VCC1 | Fast Programming Supply Voltage | 6.00 | 6.50 | V | |
| VPP1 | Fast Programming Voltage | 12.5 | 13.0 | V | |



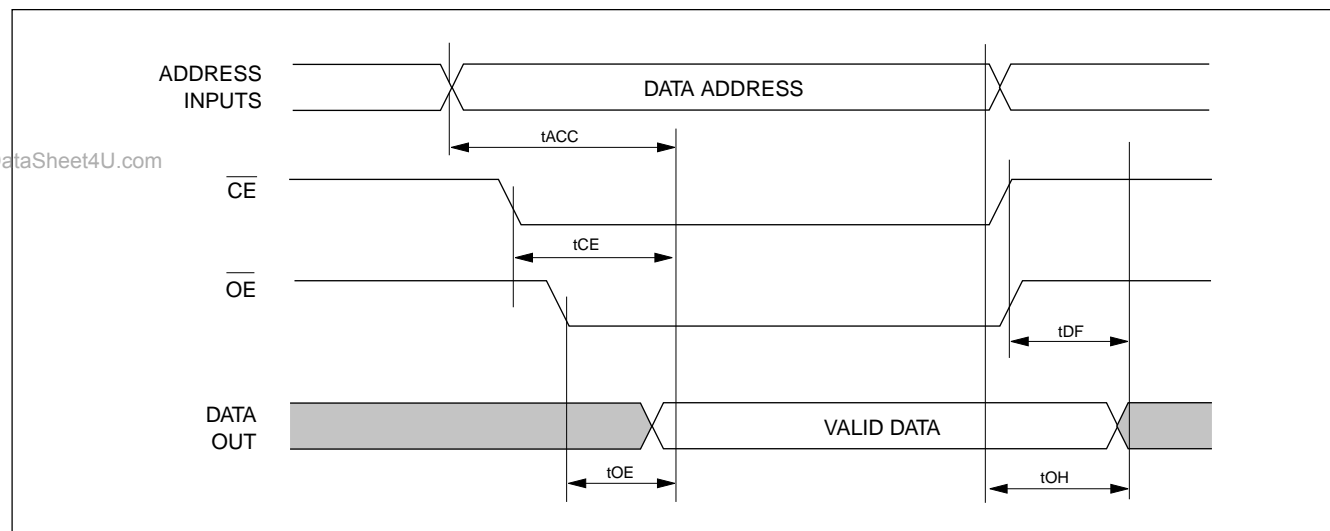
MX27C1000

AC PROGRAMMING CHARACTERISTICS $T_A = 25^\circ\text{C} \pm 5^\circ\text{C}$

| SYMBOL | PARAMETER | MIN. | MAX. | UNIT |
|--------|-------------------------------------|------|------|------|
| tAS | Address Setup Time | 2.0 | | us |
| tOES | OE Setup Time | 2.0 | | us |
| tDS | Data Setup Time | 2.0 | | us |
| tAH | Address Hold Time | 0 | | us |
| tDH | Data Hold Time | 2.0 | | us |
| tDFP | Output Enable to Output Float Delay | 0 | 130 | ns |
| tVPS | VPP Setup Time | 2.0 | | us |
| tPW | PGM Program Pulse Width | 95 | 105 | us |
| tVCS | VCC Setup Time | 2.0 | | us |
| tCES | CE Setup Time | 2.0 | | us |
| tOE | Data valid from OE | | 150 | ns |

WAVEFORMS

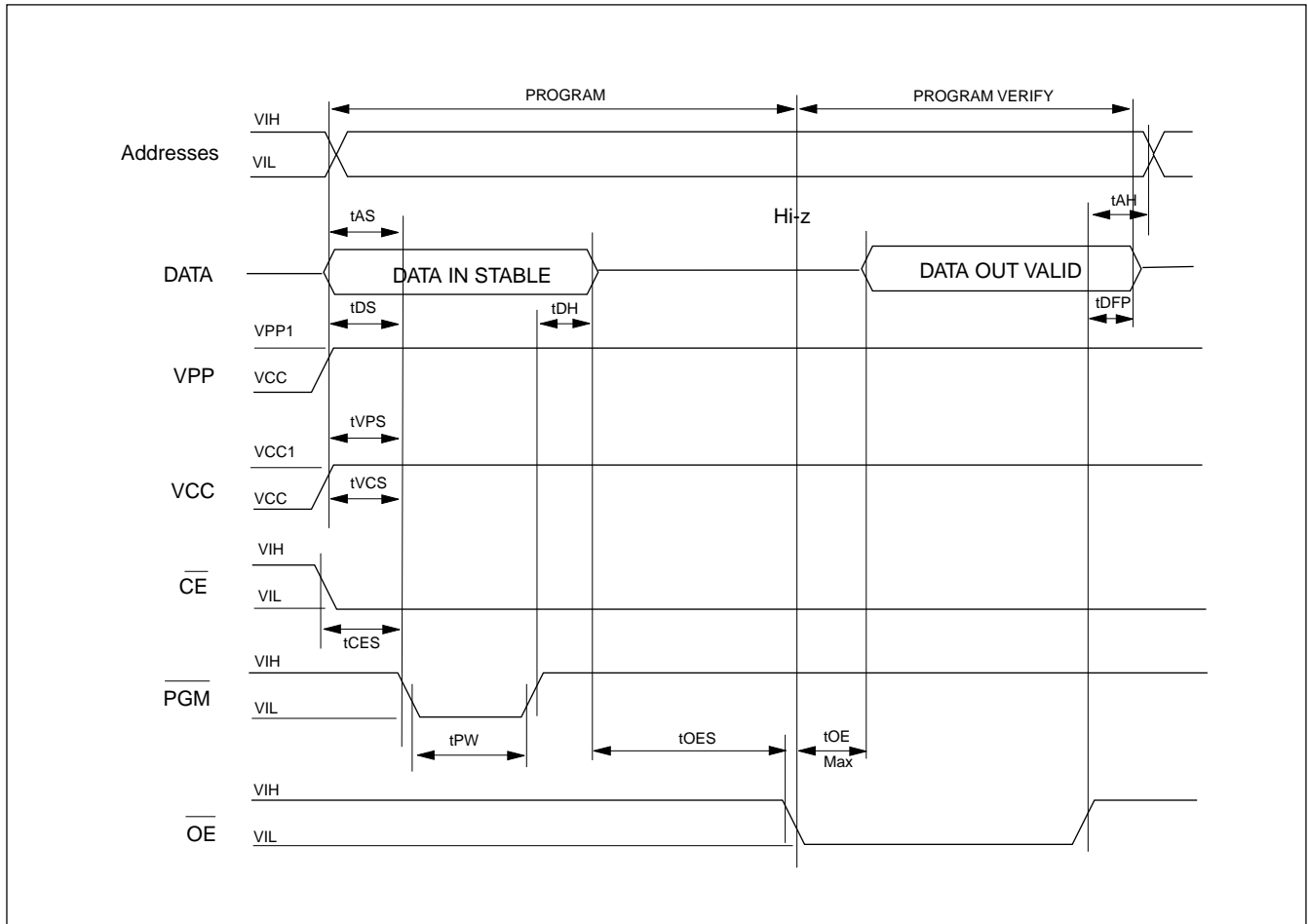
READ CYCLE





MX27C1000

FAST PROGRAMMING ALGORITHM WAVEFORMS



www.DataSheet4U.com



MX27C1000

ORDER INFORMATION

PLASTIC PACKAGE

| PART NO. | ACCESS TIME (ns) | OPERATING Current MAX.(mA) | STANDBY Current MAX.(uA) | OPERATING TEMPERATURE | PACKAGE |
|----------------|---------------------|-------------------------------|-----------------------------|--------------------------|-------------|
| MX27C1000PC-45 | 45 | 30 | 100 | 0°C to 70°C | 32 PIN DIP |
| MX27C1000MC-45 | 45 | 30 | 100 | 0°C to 70°C | 32 Pin SOP |
| MX27C1000QC-45 | 45 | 30 | 100 | 0°C to 70°C | 32 Pin PLCC |
| MX27C1000TC-45 | 45 | 30 | 100 | 0°C to 70°C | 32 Pin TSOP |
| MX27C1000PC-55 | 55 | 30 | 100 | 0°C to 70°C | 32 Pin DIP |
| MX27C1000MC-55 | 55 | 30 | 100 | 0°C to 70°C | 32 Pin SOP |
| MX27C1000QC-55 | 55 | 30 | 100 | 0°C to 70°C | 32 Pin PLCC |
| MX27C1000TC-55 | 55 | 30 | 100 | 0°C to 70°C | 32 Pin TSOP |
| MX27C1000PC-70 | 70 | 30 | 100 | 0°C to 70°C | 32 Pin DIP |
| MX27C1000MC-70 | 70 | 30 | 100 | 0°C to 70°C | 32 Pin SOP |
| MX27C1000QC-70 | 70 | 30 | 100 | 0°C to 70°C | 32 Pin PLCC |
| MX27C1000TC-70 | 70 | 30 | 100 | 0°C to 70°C | 32 Pin TSOP |
| MX27C1000PC-90 | 90 | 30 | 100 | 0°C to 70°C | 32 Pin DIP |
| MX27C1000MC-90 | 90 | 30 | 100 | 0°C to 70°C | 32 Pin SOP |
| MX27C1000QC-90 | 90 | 30 | 100 | 0°C to 70°C | 32 Pin PLCC |
| MX27C1000TC-90 | 90 | 30 | 100 | 0°C to 70°C | 32 Pin TSOP |
| MX27C1000PC-10 | 100 | 30 | 100 | 0°C to 70°C | 32 Pin DIP |
| MX27C1000MC-10 | 100 | 30 | 100 | 0°C to 70°C | 32 Pin SOP |
| MX27C1000QC-10 | 100 | 30 | 100 | 0°C to 70°C | 32 Pin PLCC |
| MX27C1000TC-10 | 100 | 30 | 100 | 0°C to 70°C | 32 Pin TSOP |
| MX27C1000PC-12 | 120 | 30 | 100 | 0°C to 70°C | 32 Pin DIP |
| MX27C1000MC-12 | 120 | 30 | 100 | 0°C to 70°C | 32 Pin SOP |
| MX27C1000QC-12 | 120 | 30 | 100 | 0°C to 70°C | 32 Pin PLCC |
| MX27C1000TC-12 | 120 | 30 | 100 | 0°C to 70°C | 32 Pin TSOP |
| MX27C1000PC-15 | 150 | 30 | 100 | 0°C to 70°C | 32 Pin DIP |
| MX27C1000MC-15 | 150 | 30 | 100 | 0°C to 70°C | 32 Pin SOP |
| MX27C1000QC-15 | 150 | 30 | 100 | 0°C to 70°C | 32 Pin PLCC |
| MX27C1000TC-15 | 150 | 30 | 100 | 0°C to 70°C | 32 Pin TSOP |



MX27C1000

ORDER INFORMATION (CONTINUED)

PLASTIC PACKAGE

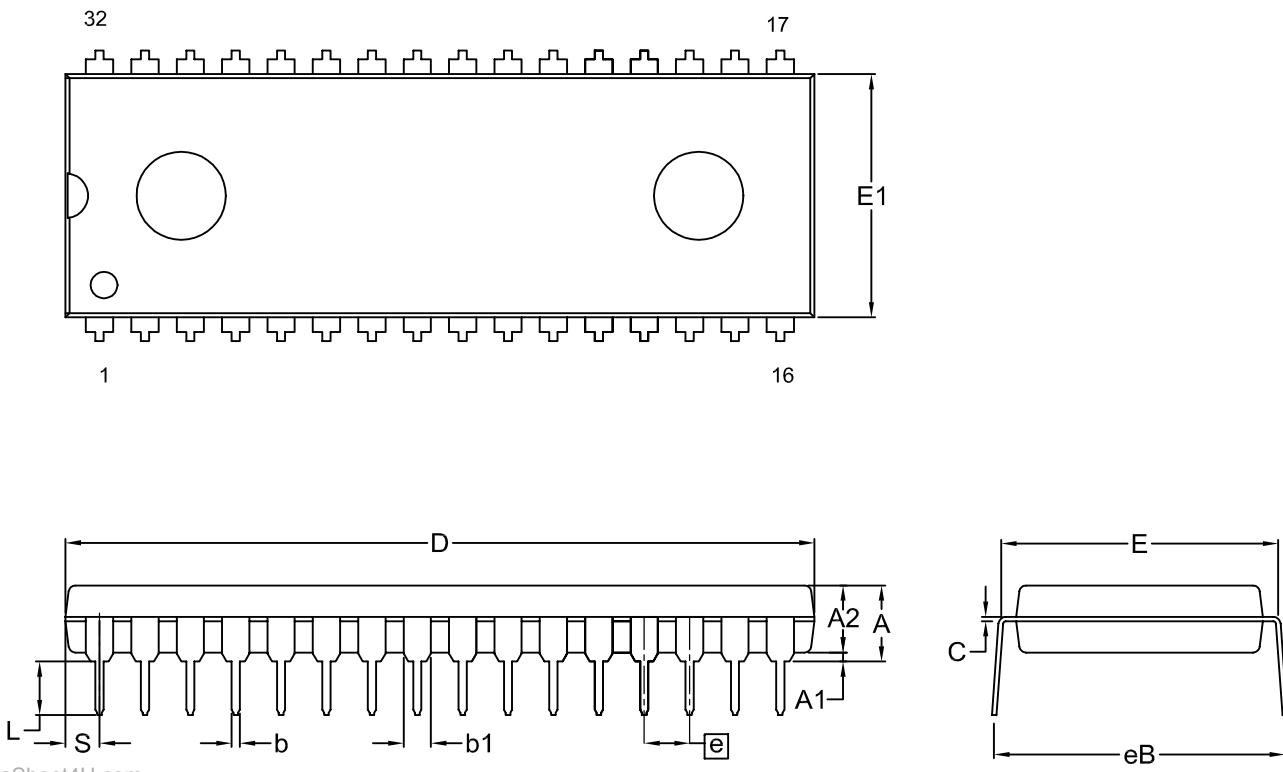
| PART NO. | ACCESS TIME (ns) | OPERATING | STANDBY | OPERATING | PACKAGE |
|----------------|---------------------|------------------|------------------|----------------|-------------|
| | | Current MAX.(mA) | Current MAX.(uA) | TEMPERATURE | |
| MX27C1000PI-55 | 55 | 30 | 100 | -40°C to 85°C | 32 Pin DIP |
| MX27C1000MI-55 | 55 | 30 | 100 | -40°C to 85°C | 32 Pin SOP |
| MX27C1000QI-55 | 55 | 30 | 100 | -40°C to 85°C | 32 Pin PLCC |
| MX27C1000TI-55 | 55 | 30 | 100 | -40°C to 85°C | 32 Pin TSOP |
| MX27C1000PI-70 | 70 | 30 | 100 | -40°C to 85°C | 32 Pin DIP |
| MX27C1000MI-70 | 70 | 30 | 100 | -40°C to 85°C | 32 Pin SOP |
| MX27C1000QI-70 | 70 | 30 | 100 | -40°C to 85°C | 32 Pin PLCC |
| MX27C1000TI-70 | 70 | 30 | 100 | -40°C to 85°C | 32 Pin TSOP |
| MX27C1000PI-90 | 90 | 30 | 100 | -40°C to 85°C | 32 Pin DIP |
| MX27C1000MI-90 | 90 | 30 | 100 | -40°C to 85°C | 32 Pin SOP |
| MX27C1000QI-90 | 90 | 30 | 100 | -40°C to 85°C | 32 Pin PLCC |
| MX27C1000TI-90 | 90 | 30 | 100 | -40°C to 85°C | 32 Pin TSOP |
| MX27C1000PI-12 | 120 | 30 | 100 | -40°C to 85°C | 32 Pin DIP |
| MX27C1000MI-12 | 120 | 30 | 100 | -40°C to 85°C | 32 Pin SOP |
| MX27C1000QI-12 | 120 | 30 | 100 | -40°C to 85°C | 32 Pin PLCC |
| MX27C1000TI-12 | 120 | 30 | 100 | -40°C to 85°C | 32 Pin TSOP |
| MX27C1000PI-15 | 150 | 30 | 100 | -40°C to 85°C | 32 Pin SOP |
| MX27C1000MI-12 | 120 | 30 | 100 | -40°C to 85°C | 32 Pin SOP |
| MX27C1000QI-15 | 150 | 30 | 100 | -40°C to 85°C | 32 Pin PLCC |
| MX27C1000TI-15 | 150 | 30 | 100 | -40°C to 85°C | 32 Pin TSOP |
| MX27C1000TA-90 | 90 | 30 | 100 | -40°C to 125°C | 32 Pin TSOP |
| MX27C1000TA-12 | 120 | 30 | 100 | -40°C to 125°C | 32 Pin TSOP |



MX27C1000

PACKAGE INFORMATION

Title: Package Outline for PDIP 32L(600MIL)



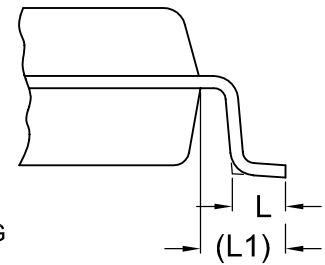
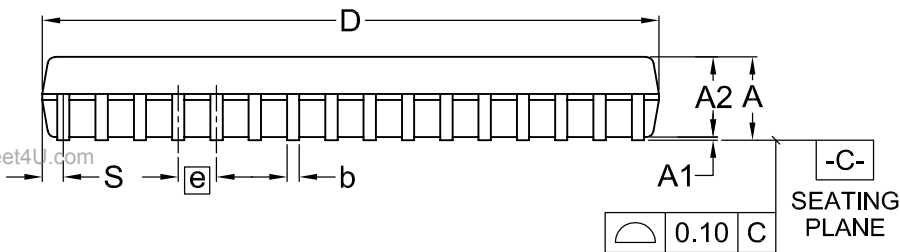
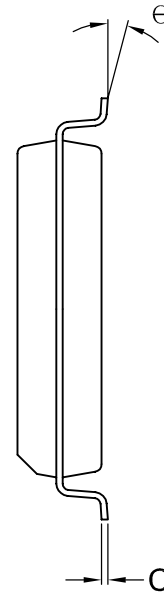
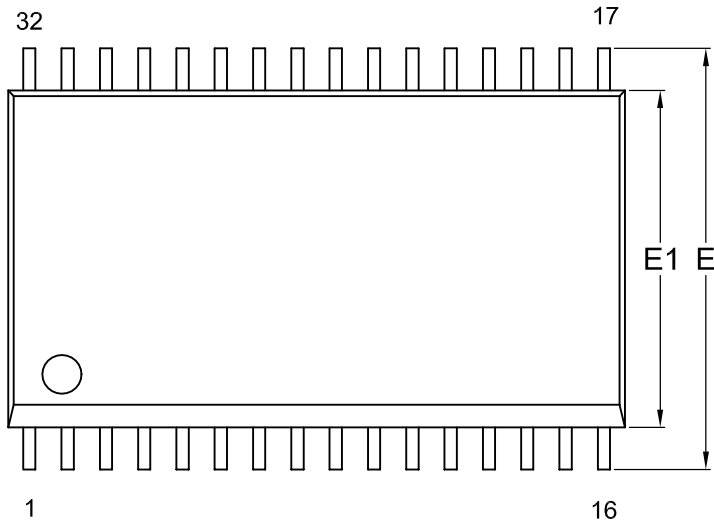
www.DataSheet4U.com

Dimensions (inch dimensions are derived from the original mm dimensions)

| SYMBOL | | A | A1 | A2 | b | b1 | C | D | E | E1 | e | eB | L | S |
|--------|------|-------|-------|-------|-------|-------|-------|-------|-------|-------|-------|-------|-------|-------|
| UNIT | | | | | | | | | | | | | | |
| mm | Min. | --- | 0.51 | 3.73 | 0.38 | 1.14 | 0.20 | 41.78 | 15.11 | 13.84 | | 15.75 | 2.92 | 1.65 |
| | Nom. | --- | 0.64 | 3.94 | 0.46 | 1.27 | 0.25 | 41.91 | 15.24 | 13.97 | 2.54 | 16.51 | 3.30 | 1.90 |
| | Max. | 4.90 | 0.76 | 4.14 | 0.53 | 1.40 | 0.30 | 42.04 | 15.37 | 14.10 | | 17.27 | 3.68 | 2.16 |
| Inch | Min. | --- | 0.020 | 0.147 | 0.015 | 0.045 | 0.008 | 1.645 | 0.595 | 0.545 | | 0.620 | 0.115 | 0.065 |
| | Nom. | --- | 0.025 | 0.155 | 0.018 | 0.050 | 0.010 | 1.650 | 0.600 | 0.550 | 0.100 | 0.650 | 0.130 | 0.075 |
| | Max. | 0.193 | 0.030 | 0.163 | 0.021 | 0.055 | 0.012 | 1.655 | 0.605 | 0.555 | | 0.680 | 0.145 | 0.085 |

| DWG.NO. | REVISION | REFERENCE | | | ISSUE DATE |
|-------------|----------|-----------|------|--|------------|
| | | JEDEC | EIAJ | | |
| 6110-0202.2 | 5 | | | | 07-04-'02 |

Title: Package Outline for SOP 32L (450MIL)



Dimensions (inch dimensions are derived from the original mm dimensions)

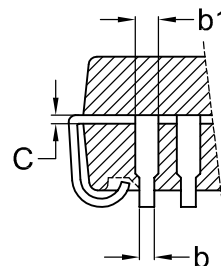
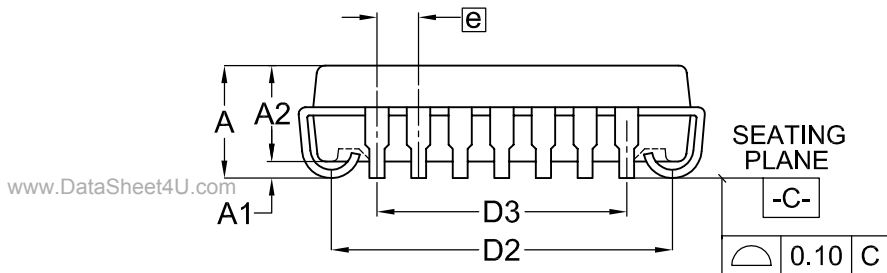
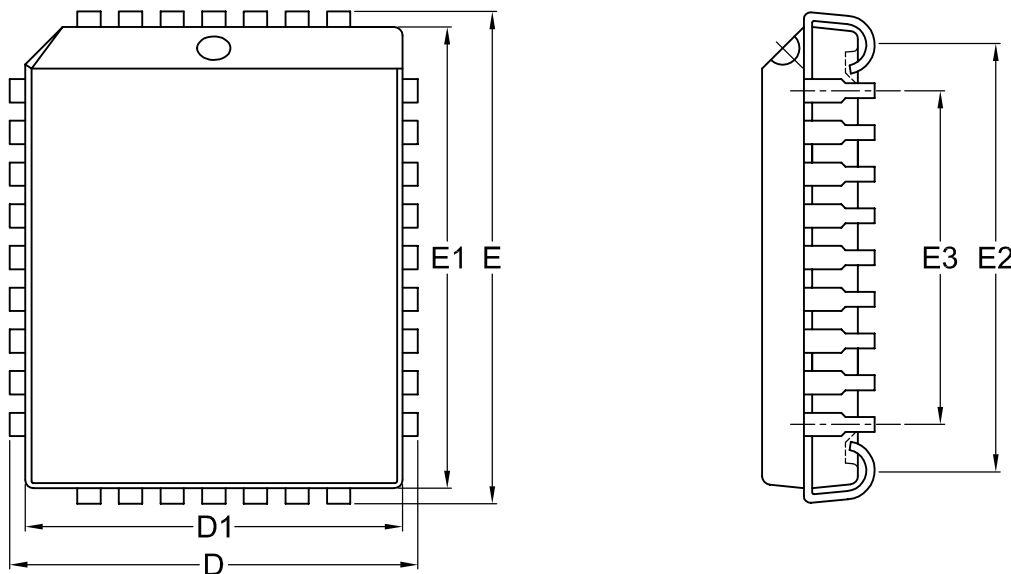
| SYMBOL | | A | A1 | A2 | b | C | D | E | E1 | e | L | L1 | S | θ |
|--------|------|-------|-------|-------|-------|-------|-------|-------|-------|-------|-------|-------|-------|---|
| mm | Min. | --- | 0.10 | 2.59 | 0.36 | 0.15 | 20.32 | 13.92 | 11.18 | | 0.56 | 1.20 | 0.58 | 0 |
| | Nom. | --- | 0.15 | 2.69 | 0.41 | 0.20 | 20.45 | 14.12 | 11.30 | 1.27 | 0.76 | 1.40 | 0.70 | 5 |
| | Max. | 3.00 | 0.20 | 2.80 | 0.51 | 0.25 | 20.57 | 14.32 | 11.43 | | 0.96 | 1.60 | 0.83 | 8 |
| Inch | Min. | --- | 0.004 | 0.102 | 0.014 | 0.006 | 0.800 | 0.548 | 0.440 | | 0.022 | 0.047 | 0.023 | 0 |
| | Nom. | --- | 0.006 | 0.106 | 0.016 | 0.008 | 0.805 | 0.556 | 0.445 | 0.050 | 0.030 | 0.055 | 0.028 | 5 |
| | Max. | 0.118 | 0.008 | 0.110 | 0.020 | 0.010 | 0.810 | 0.564 | 0.450 | | 0.038 | 0.063 | 0.033 | 8 |

| DWG.NO. | REVISION | REFERENCE | | | ISSUE DATE |
|-----------|----------|-----------|------|--|------------|
| | | JEDEC | EIAJ | | |
| 6110-1404 | 4 | MO-099 | | | 09-24-'02 |



MX27C1000

Title: Package Outline for 32L PLCC



Dimensions (inch dimensions are derived from the original mm dimensions)

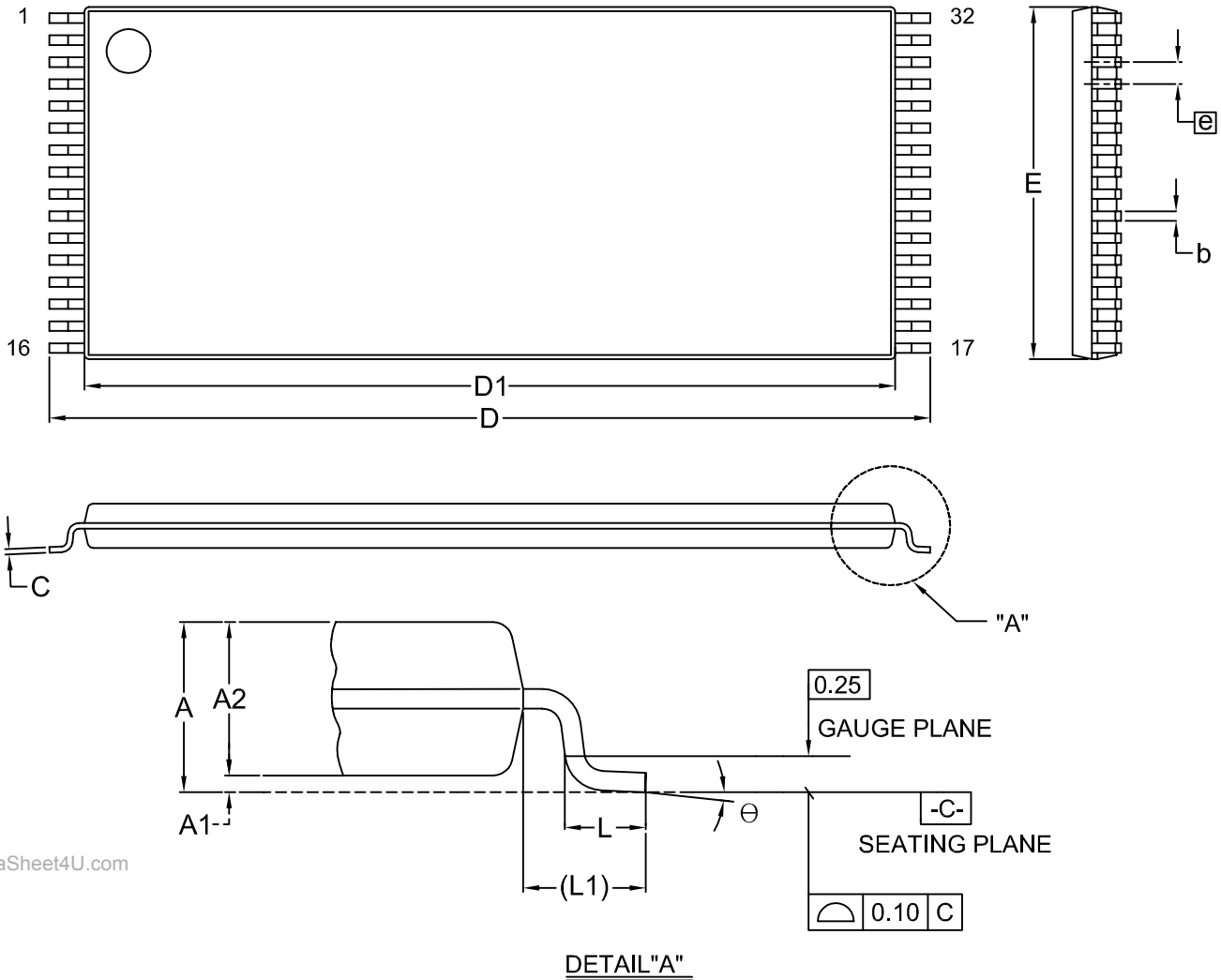
| SYMBOL | | A | A1 | A2 | b | b1 | C | D | D1 | D2 | D3 | E | E1 | E2 | E3 | e |
|--------|------|-------|-------|-------|-------|-------|-------|-------|-------|-------|-------|-------|-------|-------|-------|-------|
| UNIT | | | | | | | | | | | | | | | | |
| mm | Min. | — | 0.38 | 2.69 | 0.38 | 0.61 | 0.20 | 12.32 | 11.44 | 10.11 | | 14.86 | 13.98 | 12.65 | | |
| | Nom. | — | 0.50 | 2.79 | 0.46 | 0.71 | 0.25 | 12.45 | 11.51 | 10.41 | 7.62 | 14.99 | 14.05 | 12.95 | 10.16 | 1.27 |
| | Max. | 3.55 | 0.66 | 2.89 | 0.54 | 0.81 | 0.30 | 12.58 | 11.58 | 10.71 | | 15.12 | 14.12 | 13.25 | | |
| Inch | Min. | --- | 0.015 | 0.106 | 0.015 | 0.024 | 0.008 | 0.485 | 0.450 | 0.398 | | 0.585 | 0.550 | 0.498 | | |
| | Nom. | --- | 0.020 | 0.110 | 0.018 | 0.028 | 0.010 | 0.490 | 0.453 | 0.410 | 0.300 | 0.590 | 0.553 | 0.510 | 0.400 | 0.050 |
| | Max. | 0.140 | 0.026 | 0.114 | 0.021 | 0.032 | 0.012 | 0.495 | 0.456 | 0.422 | | 0.595 | 0.556 | 0.522 | | |

| DWG.NO. | REVISION | REFERENCE | | | ISSUE DATE |
|-----------|----------|-----------|------|--|------------|
| | | JEDEC | EIAJ | | |
| 6110-2002 | 4 | MS-016 | | | 09-24-'02 |



MX27C1000

Title: Package Outline for TSOP(I) 32L (8X20mm)



www.DataSheet4U.com

Dimensions (inch dimensions are derived from the original mm dimensions)

| SYMBOL | | A | A1 | A2 | b | C | D | D1 | E | e | L | L1 | θ |
|--------|------|-------|-------|-------|-------|-------|-------|-------|-------|-------|-------|-------|---|
| mm | Min. | --- | 0.05 | 0.95 | 0.17 | 0.10 | 19.80 | 18.30 | 7.90 | | 0.50 | 0.70 | 0 |
| | Nom. | --- | 0.10 | 1.00 | 0.20 | 0.15 | 20.00 | 18.40 | 8.00 | 0.50 | 0.60 | 0.80 | 5 |
| | Max. | 1.20 | 0.15 | 1.05 | 0.27 | 0.21 | 20.20 | 18.50 | 8.10 | | 0.70 | 0.90 | 8 |
| Inch | Min. | --- | 0.002 | 0.037 | 0.007 | 0.004 | 0.780 | 0.720 | 0.311 | | 0.020 | 0.028 | 0 |
| | Nom. | --- | 0.004 | 0.039 | 0.008 | 0.006 | 0.787 | 0.724 | 0.315 | 0.020 | 0.024 | 0.031 | 5 |
| | Max. | 0.047 | 0.006 | 0.041 | 0.011 | 0.008 | 0.795 | 0.728 | 0.319 | | 0.028 | 0.035 | 8 |

| DWG.NO. | REVISION | REFERENCE | | | ISSUE DATE |
|-----------|----------|-----------|------|--|------------|
| | | JEDEC | EIAJ | | |
| 6110-1604 | 8 | MO-142 | | | 09-24-'02 |



MX27C1000

REVISION HISTORY

| Revision No. | Description | Page | Date |
|--------------|--|----------------|-------------|
| 5.0 | 1) Reduce operating current change from 40mA to 30mA. 2) Eliminate Interactive Programming Mode. 3) Add 27C1001 pin configuration. | | 5/28/1997 |
| 5.1 | IPP 100uA --> 10uA | | 8/08/1997 |
| 5.2 | Change TSOP Orientation | | 4/09/1998 |
| 5.3 | 27C1000CDIP 70/90/100/120/150ns speed grades deleted from ordering information. | | 5/07/1998 |
| 5.4 | Add 55ns speed grade parts for industrial grade | P6,7,13 | 5/10/1999 |
| 5.5 | Cancel 32pin ceramic DIP Package | P1,2,11,13,14 | FEB/25/2000 |
| 5.6 | Cancel the MX27C1001 Information | P1~4,6~8,11,12 | JAN/18/2001 |
| 5.7 | Cancel "Ultraviolet Erasable" wording in General Description To modify Package Information | P1 P13~16 | AUG/20/2001 |
| 5.8 | Add automotive grade | P7,12 | NOV/09/2001 |
| 5.9 | To modify Package Information | P13~16 | NOV/19/2002 |



MX27C1000

MACRONIX INTERNATIONAL Co., LTD.

HEADQUARTERS:

TEL:+886-3-578-6688

FAX:+886-3-563-2888

www.DataSheet4U.com

EUROPE OFFICE:

TEL:+32-2-456-8020

FAX:+32-2-456-8021

JAPAN OFFICE:

TEL:+81-44-246-9100

FAX:+81-44-246-9105

SINGAPORE OFFICE:

TEL:+65-348-8385

FAX:+65-348-8096

TAIPEI OFFICE:

TEL:+886-2-2509-3300

FAX:+886-2-2509-2200

MACRONIX AMERICA, INC.

TEL:+1-408-453-8088

FAX:+1-408-453-8488

CHICAGO OFFICE:

TEL:+1-847-963-1900

FAX:+1-847-963-1909

[http : //www.macronix.com](http://www.macronix.com)