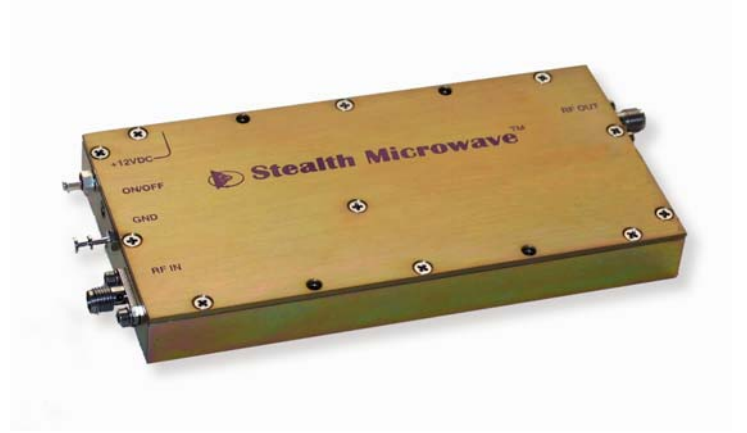


Model **SM06927-36H** is a 690 to 2700 MHz solid state GaAs FET amplifier designed for multi-purpose use in multiple wireless and military markets. This module provides a minimum of +36 dBm of output power at P1dB with an OIP3 of +48 dBm. The gain flatness over the entire 2.1 GHz bandwidth is ± 0.75 dB. The unit uses the latest surface mount technologies to provide numerous features, while maintaining a minimal size.



Features

- Mis-Match Protected
- Single Power Supply
- Over/Reverse Voltage Protection
- Thermal Protection with Auto Reset

Options

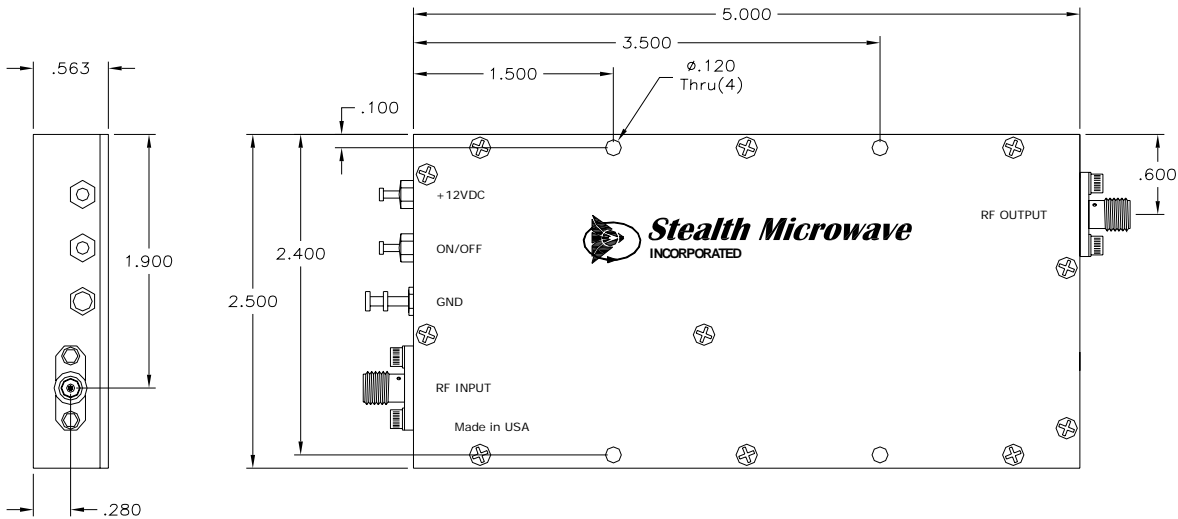
- Logic On/Off Control
- Heatsink
- Hi Temp Turn Off

Configurations

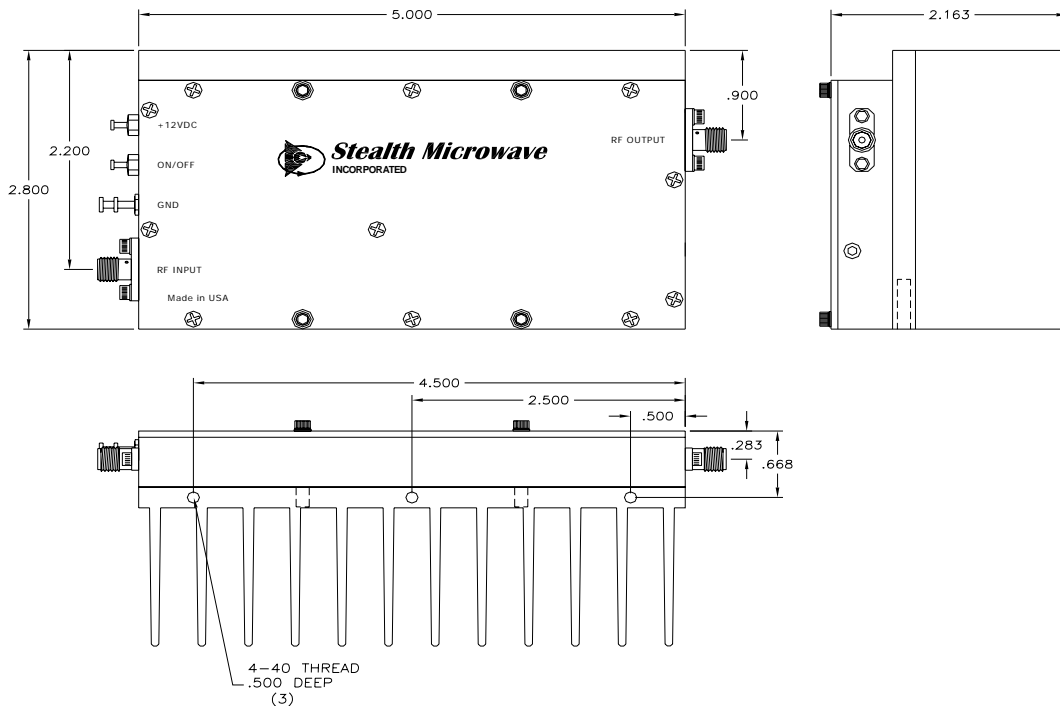
- Module
- Bench-Top-Lab Unit
- 19" Rack

Parameter	Specification
Frequency Range	690-2700 MHz
Pout (P1dB)	+ 36 dBm (Min.) +37 dBm (Typ)
Third Order Intercept Point	+ 48 dBm
Linear Gain	34 dB \pm 1.0 dB
Gain Flatness over Full Band	$\pm .75$ dB
Input/Output Return Loss	-16 dB / -14 dB
DC Input Voltage	+12 Volts
DC Input Current	1.8 Amperes
Mechanical Dimensions (Without Heatsink)	5.0 x 2.5 x .563 in
RF Connectors	SMA Female
Operating Temperature (Baseplate)	0°C to +55°C
Operating Humidity	95% Non-condensing
Operating Altitude	Up to 10,000 feet above Sea Level

DIMENSIONS IN INCHES



DIMENSIONS WITH HEATSINK



Pin	Description	Values
RF Input	Input Connector (SMA Female)	+4 dBm typ
RF Output	Output Connector (SMA Female)	+ 36 dBm @ P1dB
GND	Ground Turret	---
+12VDC	DC Input Voltage	+ 12 Volts @ 1.8 Amperes
On/Off	TTL Logic On/Off	0 Volts = Off, +5 Volts = On

Specifications subject to change without notice.