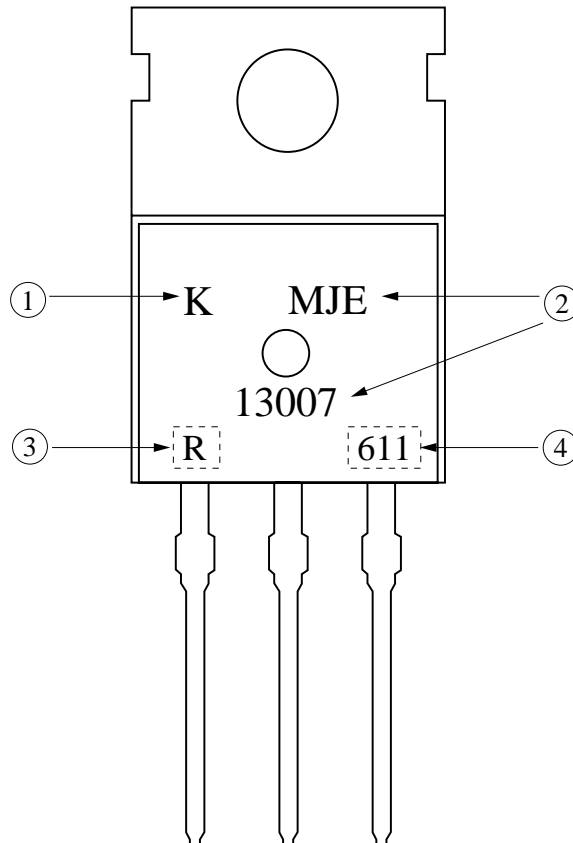


1. Marking method

Laser Marking

2. Marking



No.	Item	Marking	Description		
1	KEC	K	KEC CORP.		
2	Device Name	MJE	MJE13007		
		13007			
3	hFE Grade	R	R, O, Y		
4	Lot No.	611	6	Year	0~9 : 2000~2009
			11	Week	11: 11th Week