



DPZ128X32V

128K X 32 FLASH Memory VERSAPAC

PRELIMINARY

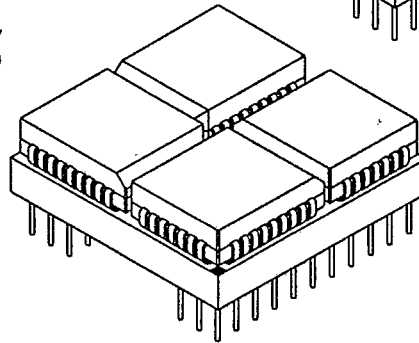
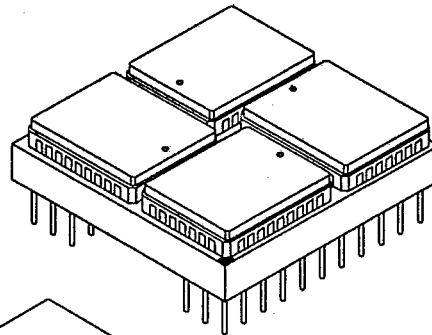
T-46-13-27

DESCRIPTION:

The DPZ128X32V is a 128K x 32 FLASH electrically erasable and programmable read only memory module built with four 128K x 8 FLASH memory devices. The module is a 66-pin PGA that can accept either 32-pin plastic PLCC packages or 32-pin ceramic LCC packages.

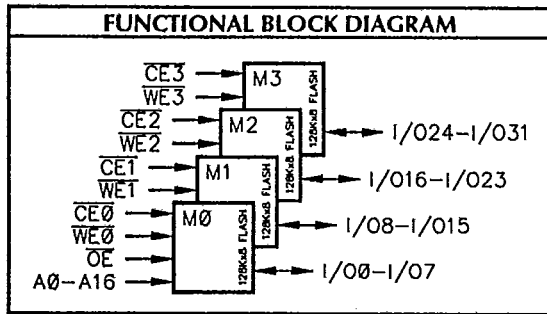
The DPZ128X32V can be built with 128K x 8 devices from most vendors of FLASH type memories. Since the DPZ128X32V module has no support logic, the electrical characteristics in the device manufacturers data sheet can be used to support this product.

The DPZ128X32V is ideally suited for systems that may require code or data updates in the field, or data acquisition systems that may need to store data in nonvolatile memory.



FEATURES:

- User Definable Configuration:
128K x 32, 256K x 16 or 512K x 8
- In-System Programming and Erasing
- Pin Compatible with DPZ32X32V and DPZ64X32V
- Military Modules Available with All Semiconductor Components Compliant to MIL-STD-883; Class B
- 66-Pin Ceramic PGA Package



PIN NAMES	
A0 - A16	Address Inputs
I/O0 - I/O31	Data In/Out
CE0 - CE3	Chip Enables
WE0 - WE3	Write Enables
OE	Output Enable
Vpp	Programming Voltage
VDD	Power (+5V)
Vss	Ground
N.C.	No Connect



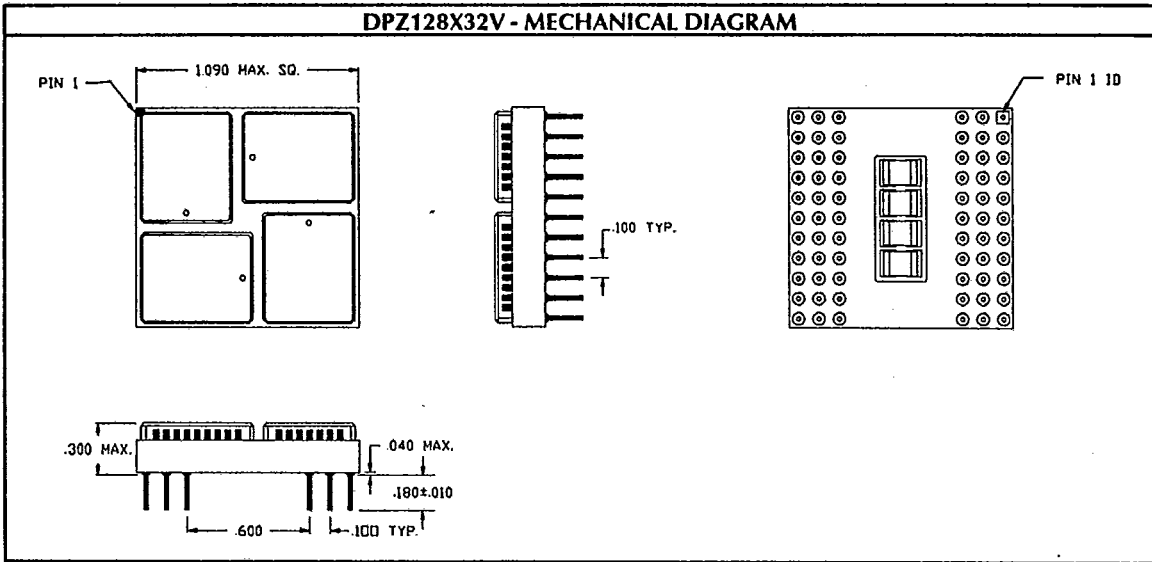
PIN-OUT DIAGRAM											
1	I/08	12	WE1	23	I/015	34	I/024	45	VDD	56	I/031
2	I/09	13	CE1	24	I/014	35	I/025	46	CE3	57	I/030
3	I/010	14	VSS	25	I/013	36	I/026	47	WE3	58	I/029
4	A9	15	I/011	26	I/012	37	A7	48	I/027	59	I/028
5	A16	16	A10	27	OE	38	A12	49	A4	60	A0
6	A2	17	A8	28	N.C.	39	VPP	50	A5	61	A1
7	A11	18	A15	29	WE0	40	A14	51	A6	62	A3
8	N.C.	19	VDD	30	I/07	41	A13	52	WE2	63	I/023
9	I/00	20	CE0	31	I/06	42	I/016	53	CE2	64	I/022
10	I/01	21	N.C.	32	I/05	43	I/017	54	VSS	65	I/021
11	I/02	22	I/03	33	I/04	44	I/018	55	I/019	66	I/020

DPZ128X32V

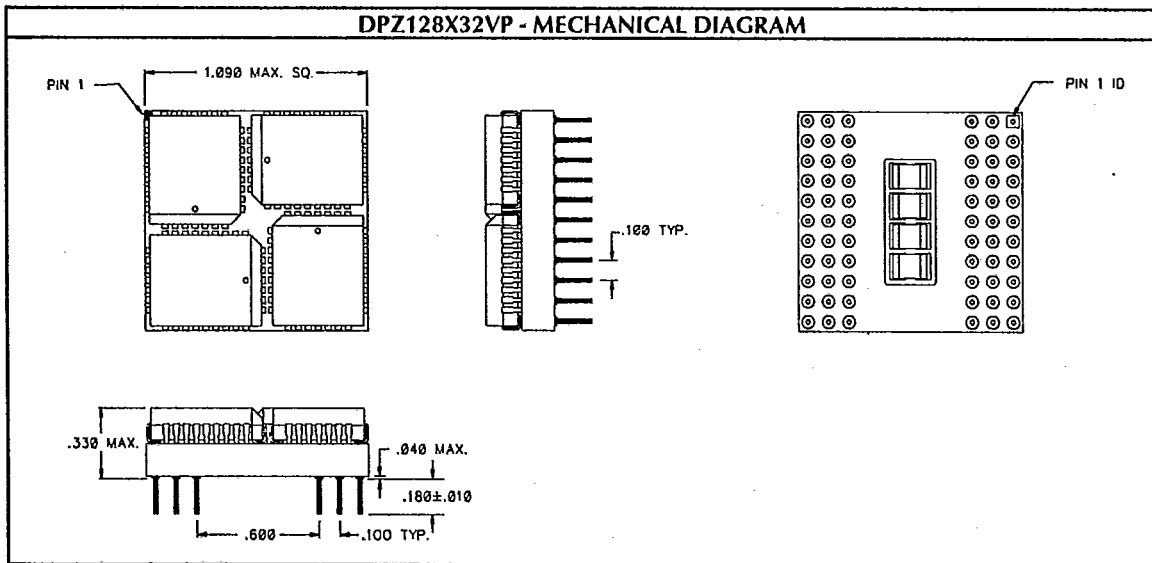
Dense-Pac Microsystems, Inc.

PRELIMINARY

DPZ128X32V - MECHANICAL DIAGRAM



DPZ128X32VP - MECHANICAL DIAGRAM



Dense-Pac Microsystems, Inc.

DPZ128X32V

PRELIMINARY

T-46-13-27 -

DPZ128X32VA (AMD BASED) ORDERING INFORMATION																																															
PREFIX	DEVICE TYPE	VENDOR	DESIG.	SPEED	GRADE																																										
DP	Z128X32V	A	P	XX	X																																										
<table border="0"> <tr> <td>C**</td> <td>COMMERCIAL</td> <td>0° to +70°C</td> </tr> <tr> <td>I**</td> <td>INDUSTRIAL</td> <td>-40° to +85°C</td> </tr> <tr> <td>M</td> <td>MILITARY</td> <td>-55° to +125°C</td> </tr> <tr> <td>B*</td> <td>MIL-PROCESSED</td> <td>-55° to +125°C</td> </tr> <tr> <td>12</td> <td>120ns</td> <td>C/I GRADE ONLY</td> </tr> <tr> <td>15</td> <td>150ns</td> <td>C/I GRADE ONLY</td> </tr> <tr> <td>17</td> <td>170ns</td> <td></td> </tr> <tr> <td>20</td> <td>200ns</td> <td></td> </tr> <tr> <td>25</td> <td>250ns</td> <td></td> </tr> <tr> <td>30</td> <td>300ns</td> <td></td> </tr> <tr> <td>BLANK</td> <td colspan="2">CERAMIC DEVICES</td> </tr> <tr> <td>P</td> <td colspan="2">PLASTIC DEVICES</td> </tr> <tr> <td colspan="3">AMD 28F010 DEVICES</td> </tr> <tr> <td colspan="3">128Kx32 FLASH VERSAPAC MODULE</td> </tr> </table>						C**	COMMERCIAL	0° to +70°C	I**	INDUSTRIAL	-40° to +85°C	M	MILITARY	-55° to +125°C	B*	MIL-PROCESSED	-55° to +125°C	12	120ns	C/I GRADE ONLY	15	150ns	C/I GRADE ONLY	17	170ns		20	200ns		25	250ns		30	300ns		BLANK	CERAMIC DEVICES		P	PLASTIC DEVICES		AMD 28F010 DEVICES			128Kx32 FLASH VERSAPAC MODULE		
C**	COMMERCIAL	0° to +70°C																																													
I**	INDUSTRIAL	-40° to +85°C																																													
M	MILITARY	-55° to +125°C																																													
B*	MIL-PROCESSED	-55° to +125°C																																													
12	120ns	C/I GRADE ONLY																																													
15	150ns	C/I GRADE ONLY																																													
17	170ns																																														
20	200ns																																														
25	250ns																																														
30	300ns																																														
BLANK	CERAMIC DEVICES																																														
P	PLASTIC DEVICES																																														
AMD 28F010 DEVICES																																															
128Kx32 FLASH VERSAPAC MODULE																																															

DPZ128X32VI (INTEL BASED) ORDERING INFORMATION																																									
PREFIX	DEVICE TYPE	VENDOR	DESIG.	SPEED	GRADE																																				
DP	Z128X32V	I	P	XX	X																																				
<table border="0"> <tr> <td>C†</td> <td>COMMERCIAL</td> <td>0° to +70°C</td> </tr> <tr> <td>M</td> <td>MILITARY</td> <td>-55° to +125°C</td> </tr> <tr> <td>B*</td> <td>MIL-PROCESSED</td> <td>-55° to +125°C</td> </tr> <tr> <td>13</td> <td>135ns</td> <td>C GRADE ONLY</td> </tr> <tr> <td>15</td> <td>150ns</td> <td>C GRADE ONLY</td> </tr> <tr> <td>17</td> <td>170ns</td> <td>M/B GRADE ONLY</td> </tr> <tr> <td>20</td> <td>200ns</td> <td></td> </tr> <tr> <td>25</td> <td>250ns</td> <td>M/B GRADE ONLY</td> </tr> <tr> <td>BLANK</td> <td colspan="2">CERAMIC DEVICES</td> </tr> <tr> <td>P</td> <td colspan="2">PLASTIC DEVICES</td> </tr> <tr> <td colspan="3">INTEL 28F010 DEVICES</td> </tr> <tr> <td colspan="3">128Kx32 FLASH VERSAPAC MODULE</td> </tr> </table>						C†	COMMERCIAL	0° to +70°C	M	MILITARY	-55° to +125°C	B*	MIL-PROCESSED	-55° to +125°C	13	135ns	C GRADE ONLY	15	150ns	C GRADE ONLY	17	170ns	M/B GRADE ONLY	20	200ns		25	250ns	M/B GRADE ONLY	BLANK	CERAMIC DEVICES		P	PLASTIC DEVICES		INTEL 28F010 DEVICES			128Kx32 FLASH VERSAPAC MODULE		
C†	COMMERCIAL	0° to +70°C																																							
M	MILITARY	-55° to +125°C																																							
B*	MIL-PROCESSED	-55° to +125°C																																							
13	135ns	C GRADE ONLY																																							
15	150ns	C GRADE ONLY																																							
17	170ns	M/B GRADE ONLY																																							
20	200ns																																								
25	250ns	M/B GRADE ONLY																																							
BLANK	CERAMIC DEVICES																																								
P	PLASTIC DEVICES																																								
INTEL 28F010 DEVICES																																									
128Kx32 FLASH VERSAPAC MODULE																																									

10

DPZ128X32VS (SEEQ BASED) ORDERING INFORMATION																																						
PREFIX	DEVICE TYPE	VENDOR	DESIG.	SPEED	GRADE																																	
DP	Z128X32V	S	P	XX	X																																	
<table border="0"> <tr> <td>C**</td> <td>COMMERCIAL</td> <td>0° to +70°C</td> </tr> <tr> <td>I**</td> <td>INDUSTRIAL</td> <td>-40° to +85°C</td> </tr> <tr> <td>M</td> <td>MILITARY</td> <td>-55° to +125°C</td> </tr> <tr> <td>B*</td> <td>MIL-PROCESSED</td> <td>-55° to +125°C</td> </tr> <tr> <td>20</td> <td>200ns</td> <td></td> </tr> <tr> <td>25</td> <td>250ns</td> <td></td> </tr> <tr> <td>30</td> <td>300ns</td> <td></td> </tr> <tr> <td>BLANK</td> <td colspan="2">CERAMIC DEVICES</td> </tr> <tr> <td>P</td> <td colspan="2">PLASTIC DEVICES</td> </tr> <tr> <td colspan="3">SEEQ 48F010 DEVICES</td> </tr> <tr> <td colspan="3">128Kx32 FLASH VERSAPAC MODULE</td> </tr> </table>						C**	COMMERCIAL	0° to +70°C	I**	INDUSTRIAL	-40° to +85°C	M	MILITARY	-55° to +125°C	B*	MIL-PROCESSED	-55° to +125°C	20	200ns		25	250ns		30	300ns		BLANK	CERAMIC DEVICES		P	PLASTIC DEVICES		SEEQ 48F010 DEVICES			128Kx32 FLASH VERSAPAC MODULE		
C**	COMMERCIAL	0° to +70°C																																				
I**	INDUSTRIAL	-40° to +85°C																																				
M	MILITARY	-55° to +125°C																																				
B*	MIL-PROCESSED	-55° to +125°C																																				
20	200ns																																					
25	250ns																																					
30	300ns																																					
BLANK	CERAMIC DEVICES																																					
P	PLASTIC DEVICES																																					
SEEQ 48F010 DEVICES																																						
128Kx32 FLASH VERSAPAC MODULE																																						

** Available built with plastic PLCC's or ceramic LCC's.
 * Built with 883 devices.
 † Available in plastic PLCC's only.