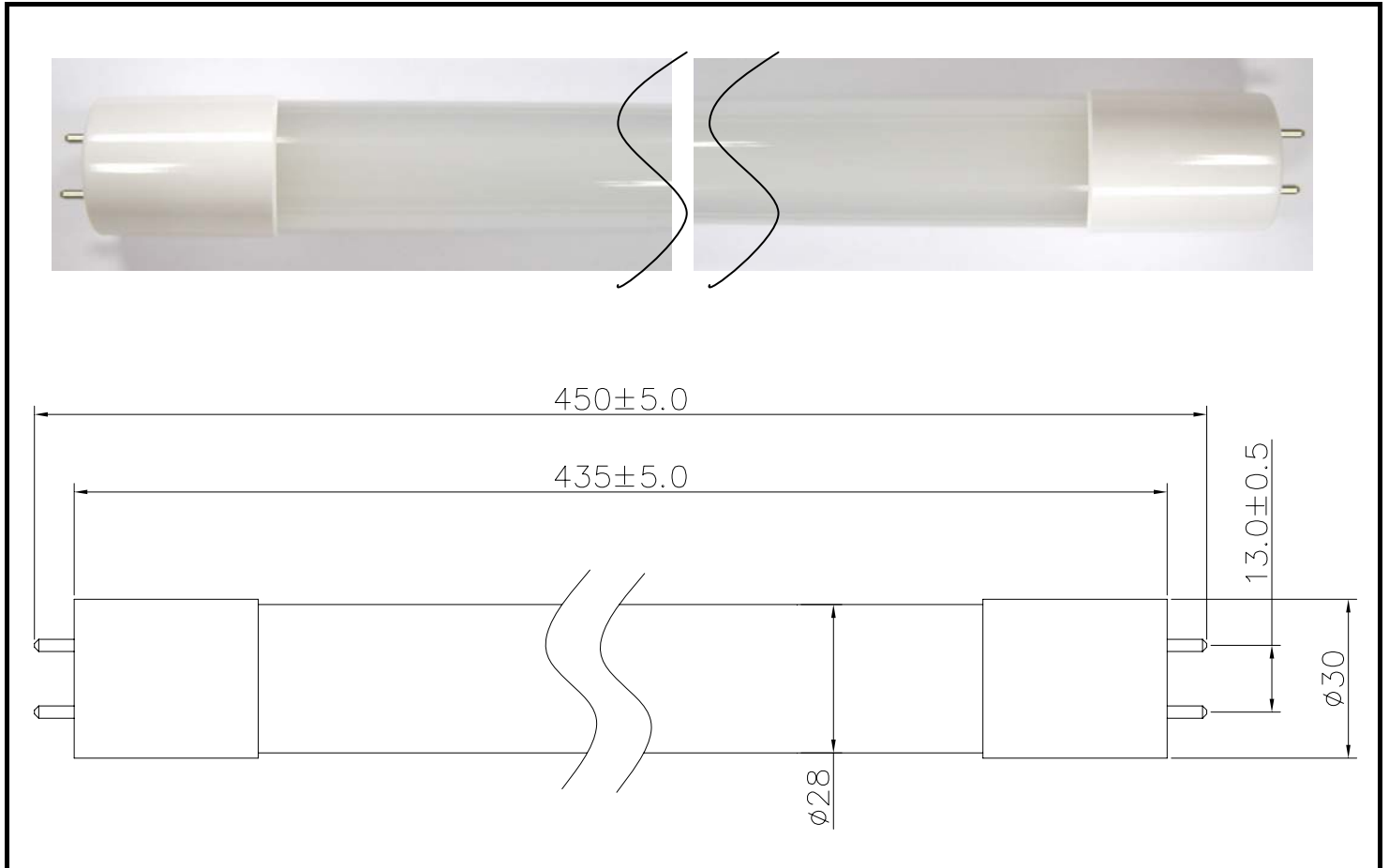


Part No.	<b>AB-FT150680SWD</b>	Diff No.
Ø30x450mm	LED Fluorescent Tube Light	Type : T9

**■ Product Photo:****■ Features:**

- LED power : 6.8 W.
- Dimension : Ø30 × 450mm (1.5 feet).
- Emitted color : Warm White.
- Chip material : InGaN.
- High luminance, Lower power consumption.
- No UV or IR radiation.
- Excellent thermal performance.
- Heat sink : Aluminum extrusion.
- Compatible with Fluorescent Tube T9.
- Optional plastic light cover : White Diffused.
- Long life LED span to 40,000 hours.
- **Not suitable electronic ballasts.**

---

Part No.	<b>AB-FT150680SWD</b>	Diff No.
Ø30x450mm	LED Fluorescent Tube Light	Type : T9

---

**■ Specification:**

Parameter	Symbol	Rating	Unit
Input Voltage	$V_{IN}$	AC 90 ~ 264	V
Forward Current	$I_F$	0.15 (Max.)	A
Emitting degree	$2\theta_{1/2}$	120	deg.
Color Temperature	CCT	3000±500	K
Luminous Flux	Flux	400 (Transmittance=80%)	lm
Power Dissipation	$P_D$	6.8	W
Operating Temperature Range	$T_{opr}$	-10 ~ 40	°C
Storage Temperature Range	$T_{stg}$	-20 ~ 50	°C

Parameter	Rating	Unit
Work Frequency	47 ~ 63	Hz
Weight	131	g