

**PLEASE CHECK WWW.MOLEX.COM FOR LATEST PART INFORMATION**

**Part Number:** [0496271182](#)  
**Status:** **Active**  
**Description:** 4.20mm (.165") Wire-to-Wire Lower TPA™ for Female Housing, 11 Circuits

**Documents:**

[Drawing \(PDF\)](#) [RoHS Certificate of Compliance \(PDF\)](#)

**General**

Product Family	Crimp Housings
Series	<a href="#">49627</a>
Product Name	N/A

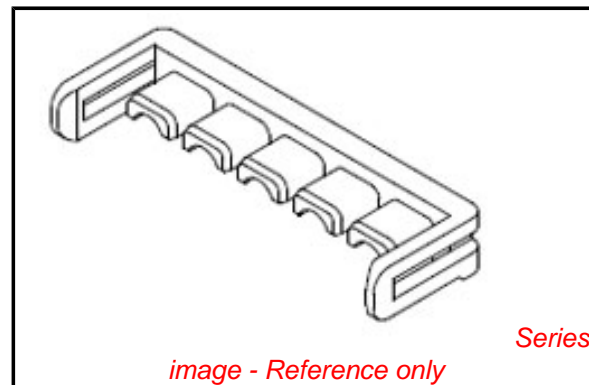
**Physical**

Circuits (maximum)	11
Circuits Detail	11
Color - Resin	Red
Gender	Female
Glow-Wire Compliant	No
Keying to Mating Part	None
Lock to Mating Part	Yes
Material - Resin	Nylon
Number of Rows	1
Packaging Type	Bag
Panel Mount	No
Pitch - Mating Interface (in)	0.165 In
Pitch - Mating Interface (mm)	4.20 mm
Polarized to Mating Part	Yes
Stackable	No
Temperature Range - Operating	-40°C to +105°C

**Material Info**

**Reference - Drawing Numbers**

Sales Drawing	SD-49627-001
---------------	--------------



**EU RoHS**

**ELV and RoHS Compliant**  
**REACH SVHC**  
 Not Reviewed  
**Halogen-Free Status**

**China RoHS**



**Need more information on product environmental compliance?**

Email [productcompliance@molex.com](mailto:productcompliance@molex.com)  
 For a multiple part number RoHS Certificate of Compliance, [click here](#)

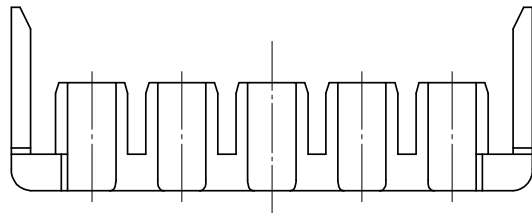
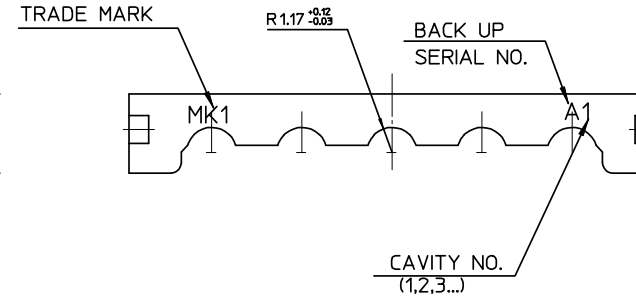
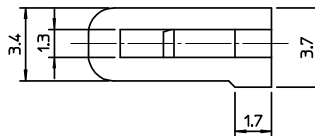
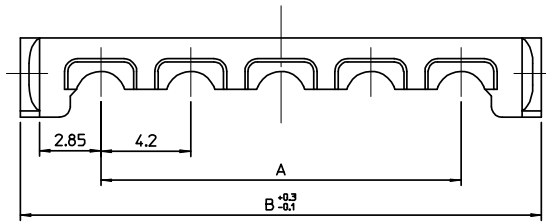
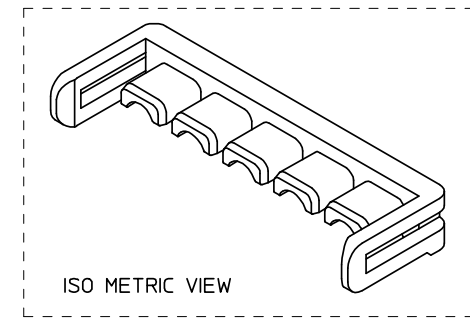
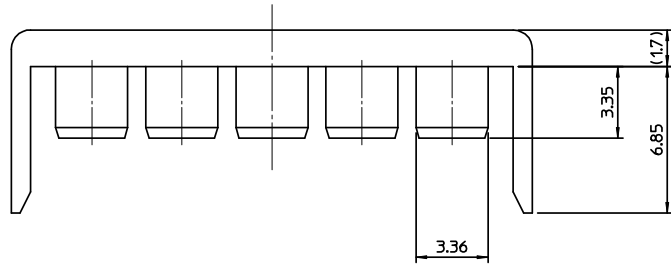
Please visit the [Contact Us](#) section for any non-product compliance questions.

**Search Parts in this Series**

[49627Series](#)

**Mates With**

4.20mm (.165") Wire-to-Wire Male TPA™  
[49624](#)



-TABLE-

49627-1182	496271182	42	49.5	11
49627-1082	496271082	37.8	45.3	10
49627-0982	496270982	33.6	41.1	09
49627-0682	496270682	21.0	28.5	06
49627-0582	496270582	16.8	24.3	05
49627-0382	496270382	8.4	15.9	03
ENG NO.	MATREIAL NO.	A	B	CIRCUIT

NOTES

1. MATERIAL : POLYAMIDE(PA66),GLASS FILLED, UL94V-HB  
COLOR : RED
2. APPLICABLE TERMINAL : 5556 T2A SERISE.  
5556 T SERISE.
3. MATED WITH HOUSING : 49624-\*\*90 SERIES.
4. PRODUCT SPECIFICATION : PS-49623-001

ENTER DESCRIPTION	QUALITY SYMBOLS
EC NO: KOR2008-0134	▽=0
DRWN:SKHAN01 2008/02/27	▽=0
CHKD:WY YANG 2008/02/29	
APPR:YUNS.IKK.IH 2008/02/29	
REV	DESCRIPTION
A	

GENERAL TOLERANCES (UNLESS SPECIFIED)	DIMENSION STYLE
	MM ONLY
4 PLACES ± --- ± ---	DRAWN BY DATE
3 PLACES ± --- ± ---	SK .HAN 2008/01/28
2 PLACES ± 0.3 ± ---	CHECKED BY DATE
1 PLACE ± 0.3 ± ---	WY .YANG 2008/01/28
ANGULAR ± 1 °	APPROVED BY DATE
	EH .JUNG 2008/01/28
DRAFT WHERE APPLICABLE MUST REMAIN WITHIN DIMENSIONS	MATERIAL NO.
	ENTER PART
	SIZE A3

SCALE	DESIGN UNITS	THIRD ANGLE PROJECTION
4:1	METRIC	
TITLE		
4.2MM W/W TPA CONN. TPA FOR FEMALE HOUSING		
MATERIAL NO.		SHEET NO.
ENTER PART		1 OF 00
DOCUMENT NO.		
SD-49627-001		
THIS DRAWING CONTAINS INFORMATION THAT IS PROPRIETARY TO MOLEX INCORPORATED AND SHOULD NOT BE USED WITHOUT WRITTEN PERMISSION		