

VIDEO DELAY LINES VIDEO DELAY LINES VIDEO

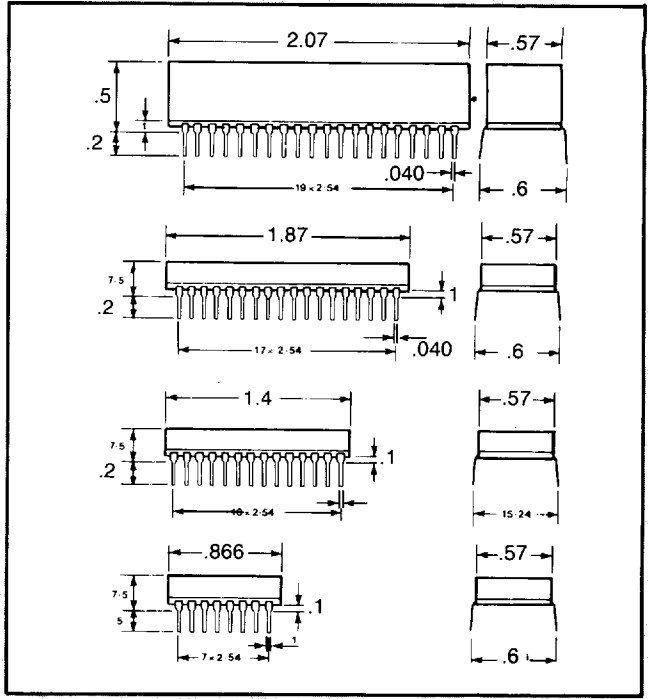
6116225 MICROSONICS INC  
 Dual-In-Line - 5.5 MHz and 10 MHz

97D 00249 D

T-47-21

Fixed Video Delay Lines

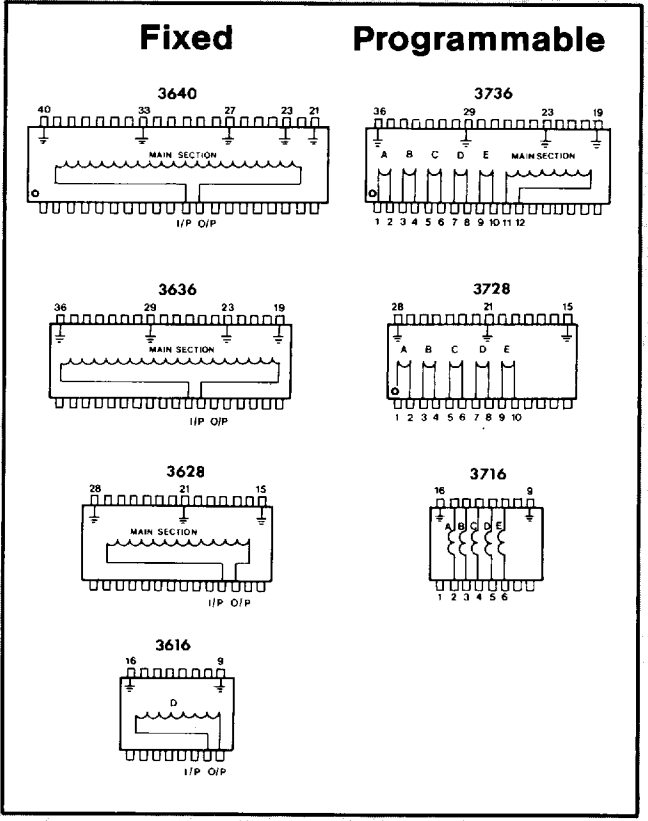
5.5 MHz		10 MHz		Case Style	Total Delay	5.5 MHz		10 MHz	
Order Code	Order Code	Order Code	Order Code			Insertion Loss (dB)	Insertion Loss (dB)	Insertion Loss (dB)	Insertion Loss (dB)
36160010	3616001001	3616	10		10	<0.2	<0.2		
36160020	3616002001	3616	20		20	<0.2	<0.2		
36160030	3616003001	3616	30		30	<0.2	<0.2		
36160040	3616004001	3616	40		40	<0.2	<0.2		
36160050	3616005001	3616	50		50	<0.2	<0.2		
36160060	3616006001	3616	60		60	<0.3	<0.3		
36160070	3616007001	3616	70		70	<0.3	<0.3		
36160080	3616008001	3616	80		80	<0.4	<0.4		
36160090	3616009001	3616	90		90	<0.5	<0.5		
36160100	3616010001	3616	100		100	<0.5	<0.5		
36280110	3628011001	3628	110		110	<0.6	<0.6		
36280120	3628012001	3628	120		120	<0.6	<0.6		
36280130	3628013001	3628	130		130	<0.6	<0.6		
36280140	3628014001	3628	140		140	<0.7	<0.7		
36280150	3628015001	3628	150		150	<0.7	<0.7		
36280160	3628016001	3628	160		160	<0.8	<0.8		
36280170	3628017001	3628	170		170	<0.8	<0.8		
36280180	3628018001	3628	180		180	<1.0	<2.0		
36280190	3628019001	3628	190		190	<1.0	<2.0		
36280200	3628020001	3628	200		200	<1.0	<2.5		
36360300	3636030001	3636	300		300	<2.5	<3.0		
36360400	3636040001	3636	400		400	<2.5	<3.0		
36360500	3636050001	3636	500		500	<2.7	<3.0		
36400600		3640	600		600	<4.0			
36400700		3640	700		700	<4.5			
36400800		3640	800		800	<5.5			
36400900		3640	900		900	<6.0			
36401000		3640	1000		1000	<6.0			



Programmable video delay lines

5.5 MHz		10 MHz		Case Style	Total Delay	Sections					5.5 MHz		10 MHz	
Order Code	Order Code	Order Code	Order Code			A	B	C	D	E	Insertion Loss (dB)	Insertion Loss (dB)	Insertion Loss (dB)	Insertion Loss (dB)
37160095		3716	95		95	5	10	20	20	40	<0.5			
371609.5		3716	9.5		9.5	1/2	1	2	2	4	<0.1			
37280155	3728015501	3728	155		155	5	10	20	40	80	<0.8	<1.25		
37360235	3736023501	3736	235		235	5	10	20	40	80	<1.5	<1.50		

Operating Temperature: 0°C to 70°C  
 Storage Temperature: -50°C to +125°C  
 Operating Voltage: 30 volts DC max.  
 Insulation Resistance: 100 megohms at 100 volts DC  
 Temperature Coefficient: ±200ppm/oc  
 Impedance: 75 ohms  
 Insertion Loss (dB): See Table  
 Delay Tolerance: ±2% or 2ns whichever is greater - Fixed Lines only  
 Frequency Response: Bandwidth 5.5MHz ±0.05dB w.r.t. 100kHz to 5.5MHz (up to 500ns)  
 Bandwidth 5.5MHz ±0.1dB w.r.t. 100kHz to 5.5MHz (510ns to 1000ns)  
 Bandwidth 10MHz ±0.1dB w.r.t. 100kHz to 8MHz  
 Bandwidth 10MHz <0.5dB to 10MHz  
 Bandwidth 5.5MHz <0.1dB to 5.5MHz (up to 500ns)  
 Bandwidth 5.5MHz <0.2dB to 5.5MHz (510ns to 1000ns)  
 Bandwidth 10MHz <0.1dB to 8MHz  
 Bandwidth 10MHz <0.15dB to 10MHz  
 Return Loss: >27dB to 5.5MHz  
 >22dB to 10MHz  
 Group Delay: ±5ns to 5.5MHz  
 ±10ns to 10MHz



9000-2201