

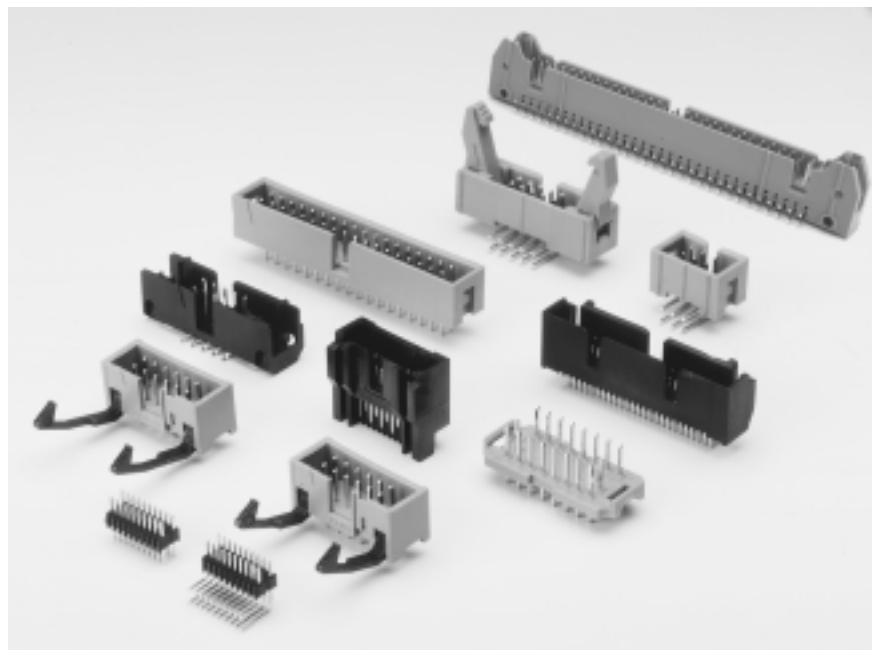
PRODUCT DESCRIPTION

PCB Male Headers provide reliability, convenience and positive polarization when mated with Female Socket Transition Connectors in PC board applications which require repeated connection and disconnection. Optional retainer-ejector latches easily disengage the header and female socket, eliminating stress in the cable termination and solder joint areas during disconnect.

DESIGN ADVANTAGES

- Industry standard polarization mates with center bump as well as dual slot polarized female socket connectors.
- Available in .050 x .100, .100 x .100, .100 x .200 and .100 x .300 center spacing.
- Available in standard, low profile, vertical eject, compliant pin and surface mount configurations.
- Available in high temperature materials.

HEADERS



HEADER INDEX

.050" x .100" 2-Row Straight Tail	18
.050" x .100" 2-Row Right Angle Tails	20
.050" x .100" 4-Row Right Angle Tails	22
.050" x .100" 2-Row Unshrouded Header, Straight	24
.050" x .100" 2-Row Unshrouded Header, Right Angle	25
.100" x .100" Straight Standard Header.....	26
.100" x .100" Right Angle Standard Header.....	27
.100" x .100" High Temp. Straight Standard Header	28
.100" x .100" High Temp. Right Angle Standard Header	29
.100" x .100" Low Profile Straight w/ejectors	30
.100" x .100" Low Profile Right Angle w/ejectors	31
.100" x .100" Low Profile Straight	32
.100" x .100" Low Profile Right Angle	33
.100" x .100" Low Profile Straight, High Temp.	34
.100" x .100" Low Profile Right Angle, High Temp.	35
.100" x .100" Low Profile Straight w/latches	36
.100" x .100" Low Profile Right Angle w/latches	37
.100" x .100" Flex-Fit™ with Retainer/Ejector	38
.100" x .100" Flex-Fit™ Low Profile	39
.100" x .100" Surface Mount	40
Pin Strip Headers, Single Row Straight	41
Pin Strip Headers, Single Row Right Angle	42
Pin Strip Headers, Dual Row Straight	43
Pin Strip Headers, Dual Row Right Angle	44
Dip Socket Headers, 14 and 16 Positions	45
Accessories.....	46



**2 ROW HEADER
STRAIGHT TAIL, WITH
OPTIONAL SPACE SAVING
VERTICAL EJECTORS**

.050" x .100" CENTERS



PHYSICAL PROPERTIES

INSULATION MATERIAL: Glass filled thermoplastic rated UL 94V-0, infrared and vapor phase process compatible

COLOR: Black

CONTACTS: Copper alloy, 30 microinches gold over nickel in mating area, tin/lead plating in the termination area.

ELECTRICAL PROPERTIES

CURRENT RATING: 1 Amp

INSULATION RESISTANCE: >1 x 10⁹ Ohms

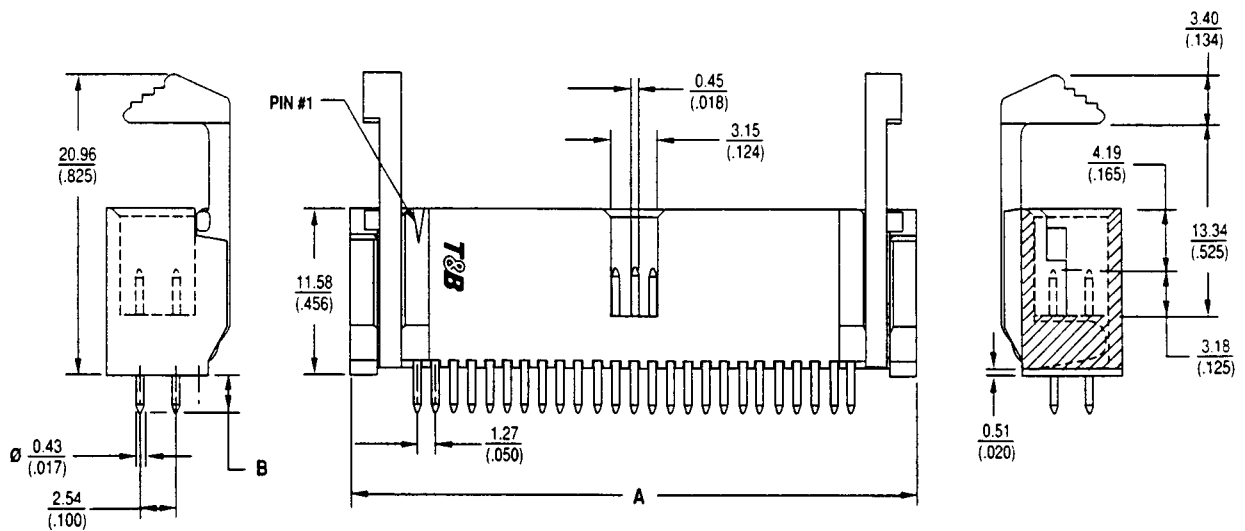
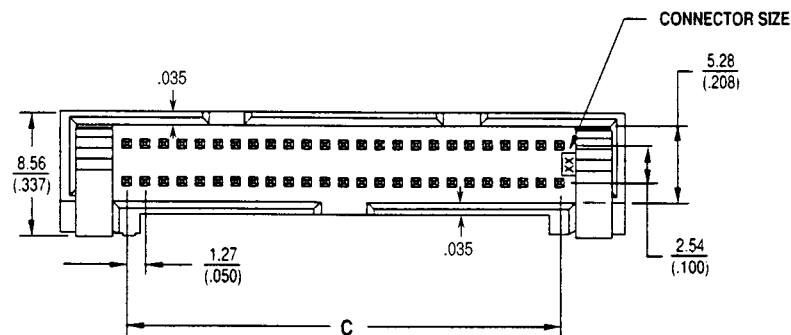
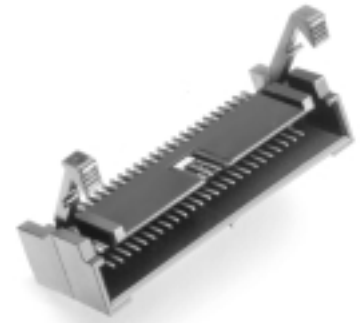
DIELECTRIC STRENGTH: > 1000 VAC at sea level

ENVIRONMENTAL PROPERTIES

TEMPERATURE RATING: -55°C TO 125°C

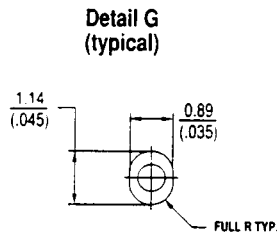
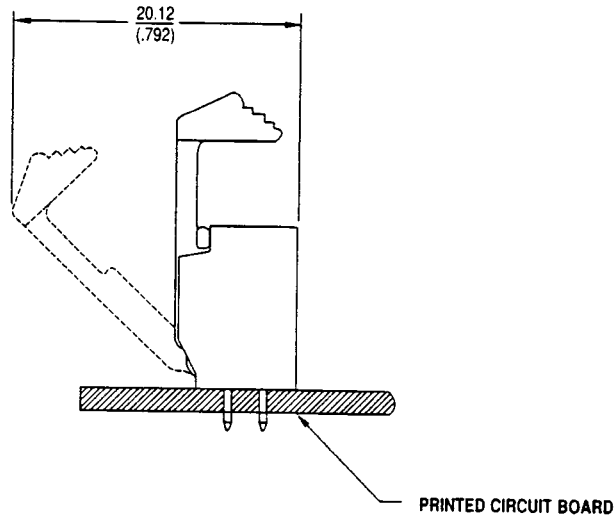
MATING CONNECTORS

FEMALE SOCKETS: See page 8

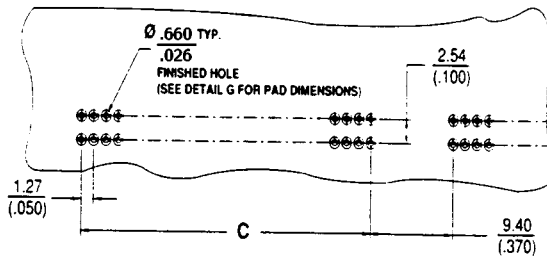


**2 ROW HEADER
STRAIGHT TAIL, WITH
OPTIONAL SPACE SAVING
VERTICAL EJECTORS**

.050" x .100" CENTERS



Recommended Printed Circuit Board Layout



Ordering Information

NUMBER OF POS.	CATALOG NUMBERS PCB= 1.57MM (.062)		CATALOG NUMBERS PCB= 3.18MM (.125)		DIMENSIONS	
	TAIL LENGTH (DIM B)= 2.90MM (.114)		TAIL LENGTH (DIM B)= 4.48MM (.175)		A	C
	W/O EJECTORS	W/ EJECTORS	W/O EJECTORS	W/EJECTORS		
20	311-020D272	311-020D272E	311-020D372	311-020D372E	20.68 (.814)	11.43 (.450)
26	311-026D272	311-026D272E	311-026D372	311-026D372E	24.49 (.964)	15.24 (.600)
30	311-030D272	311-030D272E	311-030D372	311-030D372E	27.03 (1.064)	17.78 (.700)
34	311-034D272	311-034D272E	311-034D372	311-034D372E	29.57 (1.164)	20.32 (.800)
40	311-040D272	311-040D272E	311-040D372	311-040D372E	28.80 (1.314)	24.13 (.950)
50	311-050D272	311-050D272E	311-050D372	311-050D372E	39.73 (1.564)	30.48 (1.200)
60	311-060D272	311-060D272E	311-060D372	311-060D372E	46.07 (1.814)	36.83 (1.450)
68	311-068D272	311-068D272E	311-068D372	311-068D372E	51.16 (2.014)	41.91 (1.650)
80	311-080D272	311-080D272E	311-080D372	311-080D372E	58.78 (2.314)	49.53 (1.950)
100	311-100D272	311-100D272E	311-100D372	311-100D372E	71.48 (2.814)	62.23 (2.450)

2 ROW HEADER RIGHT ANGLE TAILS, WITH OPTIONAL SPACE SAVING VERTICAL EJECTORS

.050" x .100" CENTERS



LR49571 E60980

PHYSICAL PROPERTIES

INSULATION MATERIAL: Glass filled thermoplastic rated UL 94V-0, infrared and vapor phase process compatible

COLOR: Black

CONTACTS: Copper alloy, 30 microinches gold over nickel in mating area, tin/lead plating in the termination area.

ELECTRICAL PROPERTIES

CURRENT RATING: 1 Amp

INSULATION RESISTANCE: >1 x 10⁹ Ohms

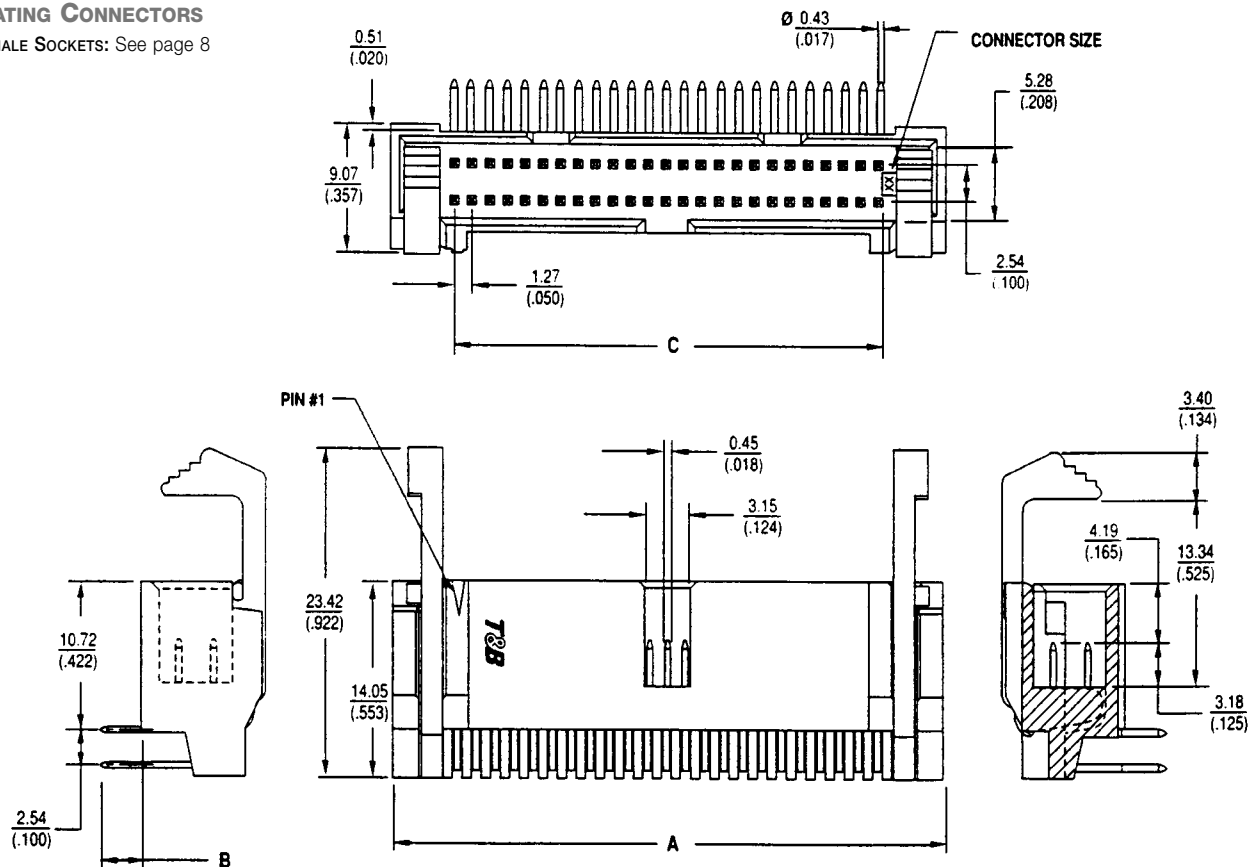
DIELECTRIC STRENGTH: > 1000 VAC at sea level

ENVIRONMENTAL PROPERTIES

TEMPERATURE RATING: -55°C TO 125°C

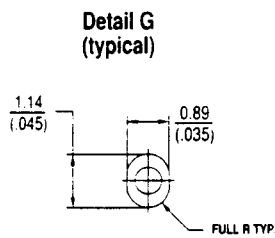
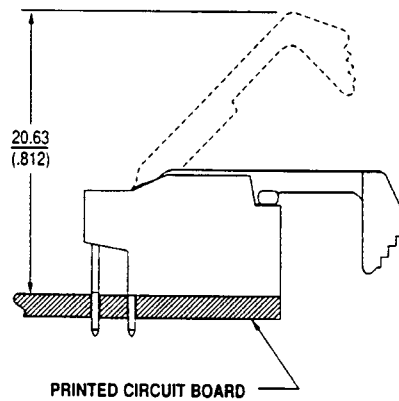
MATING CONNECTORS

FEMALE SOCKETS: See page 8

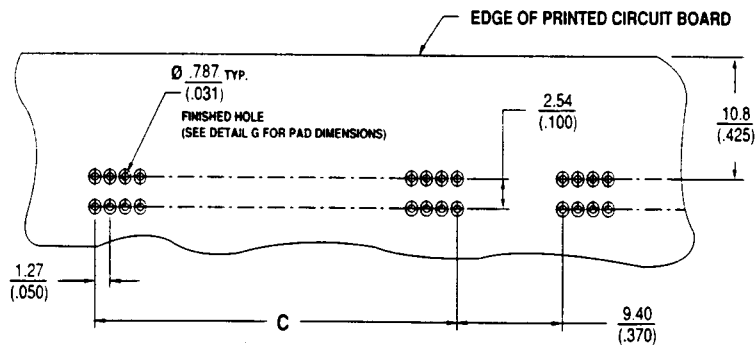


**FINE PITCH 2 ROW HEADER
RIGHT ANGLE TAILS, WITH
OPTIONAL SPACE SAVING
VERTICAL EJECTORS**

.050" x .100" CENTERS



Recommended Printed Circuit Board Layout



Ordering Information

NUMBER OF POS.	CATALOG NUMBERS PCB= 1.57MM (.062)		CATALOG NUMBERS PCB= 3.18MM (.125)		DIMENSIONS	
	TAIL LENGTH (DIM B)= 2.90MM (.114)		TAIL LENGTH (DIM B)= 4.48MM (.175)		A	C
	W/O EJECTORS	W/ EJECTORS	W/O EJECTORS	W/EJECTORS		
20	311-020D072	311-020D072E	311-020D172	311-020D172E	20.68 (.814)	11.43 (.450)
26	311-026D072	311-026D072E	311-026D172	311-026D172E	24.49 (.964)	15.24 (.600)
30	311-030D072	311-030D072E	311-030D172	311-030D172E	27.03 (1.064)	17.78 (.700)
34	311-034D072	311-034D072E	311-034D172	311-034D172E	29.57 (1.164)	20.32 (.800)
40	311-040D072	311-040D072E	311-040D172	311-040D172E	28.80 (1.314)	24.13 (.950)
50	311-050D072	311-050D072E	311-050D172	311-050D172E	39.73 (1.564)	30.48 (1.200)
60	311-060D072	311-060D072E	311-060D172	311-060D172E	46.07 (1.814)	36.83 (1.450)
68	311-068D072	311-068D072E	311-068D172	311-068D172E	51.16 (2.014)	41.91 (1.650)
80	311-080D072	311-080D072E	311-080D172	311-080D172E	58.78 (2.314)	49.53 (1.950)
100	311-100D072	311-100D072E	311-100D172	311-100D172E	71.48 (2.814)	62.23 (2.450)

**4 ROW HEADER
RIGHT ANGLE TAILS, WITH
OPTIONAL SPACE SAVING
VERTICAL EJECTORS**

.050" x .100" CENTERS



LR49571 E60980

PHYSICAL PROPERTIES

INSULATION MATERIAL: Glass filled thermoplastic rated UL 94V-0, infrared and vapor phase process compatible

COLOR: Black

CONTACTS: Copper alloy, 30 microinches gold over nickel in mating area, tin/lead plating in the termination area.

ELECTRICAL PROPERTIES

CURRENT RATING: 1 Amp

INSULATION RESISTANCE: >1 x 10⁹ Ohms

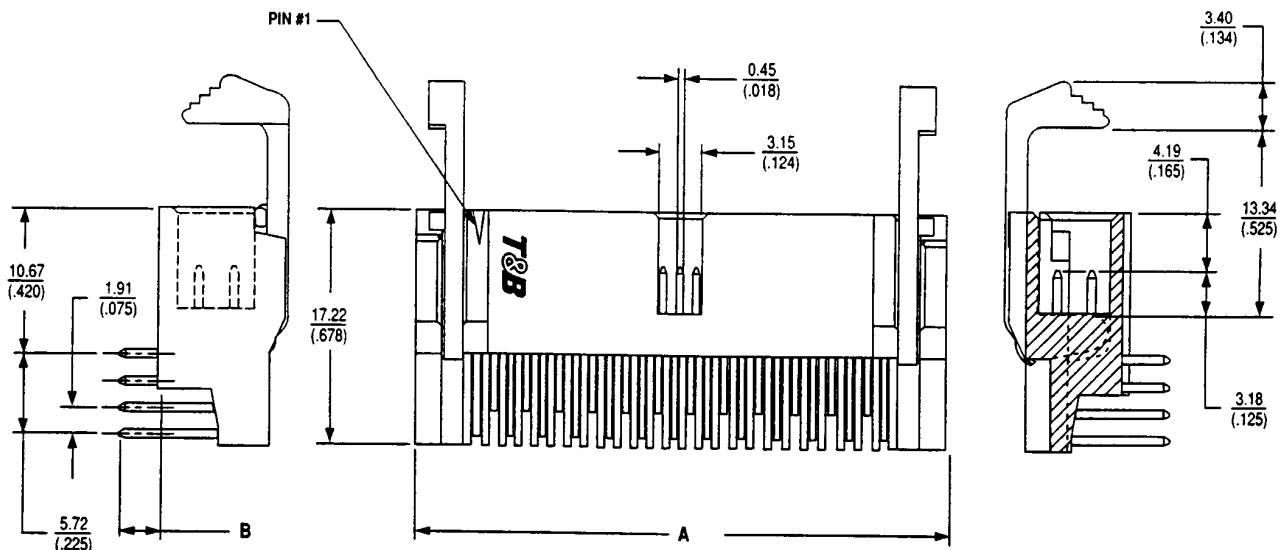
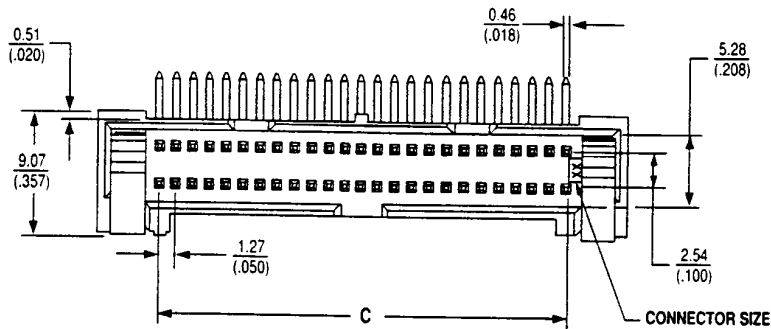
DIELECTRIC STRENGTH: > 1000 VAC at sea level

ENVIRONMENTAL PROPERTIES

TEMPERATURE RATING: -55°C TO 125°C

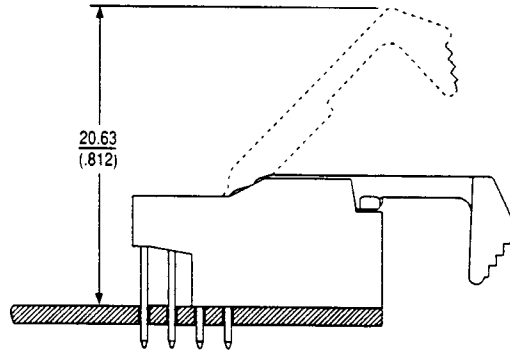
MATING CONNECTORS

FEMALE SOCKETS: See page 8

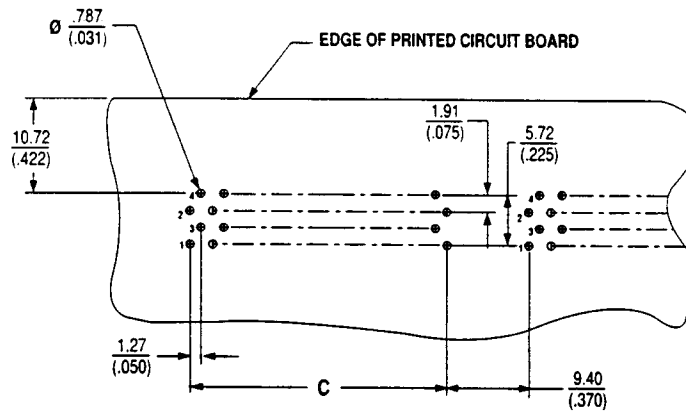


**4 ROW HEADER
RIGHT ANGLE TAILS, WITH
OPTIONAL SPACE SAVING
VERTICAL EJECTORS**

.050" x .100" CENTERS



Recommended Printed Circuit Board Layout



Ordering Information

NUMBER OF POS.	CATALOG NUMBERS PCB= 1.57MM (.062) TAIL LENGTH (DIM B)= 2.90MM (.114)		CATALOG NUMBERS PCB= 3.18MM (.125) TAIL LENGTH (DIM B)= 4.48MM (.175)		DIMENSIONS	
	W/O EJECTORS	W/ EJECTORS	W/O EJECTORS	W/EJECTORS	A	C
20	311-020072	311-020072E	311-020172	311-020172E	20.68 (.814)	11.43 (.450)
26	311-026072	311-026072E	311-026172	311-026172E	24.49 (.964)	15.24 (.600)
30	311-030072	311-030072E	311-030172	311-030172E	27.03 (1.064)	17.78 (.700)
34	311-034072	311-034072E	311-034172	311-034172E	29.57 (1.164)	20.32 (.800)
40	311-040072	311-040072E	311-040172	311-040172E	28.80 (1.314)	24.13 (.950)
50	311-050072	311-050072E	311-050172	311-050172E	39.73 (1.564)	30.48 (1.200)
60	311-060072	311-060072E	311-060172	311-060172E	46.07 (1.814)	36.83 (1.450)
68	311-068072	311-068072E	311-068172	311-068172E	51.16 (2.014)	41.91 (1.650)
80	311-080072	311-080072E	311-080172	311-080172E	58.78 (2.314)	49.53 (1.950)
100	311-100072	311-100072E	311-100172	311-100172E	71.48 (2.814)	62.23 (2.450)

**UNSHROUDED HEADER
2-ROW, STRAIGHT TAIL**

.050" x .100" CENTERS



LR49571 E60980

PHYSICAL PROPERTIES

INSULATION MATERIAL: Glass filled thermoplastic rated UL 94V-0

COLOR: Black

CONTACTS: Copper alloy, 30 microinches gold over nickel in mating area, tin/lead plating in the termination area.

ELECTRICAL PROPERTIES

CURRENT RATING: 1 Amp

INSULATION RESISTANCE: >5 x 10⁹ Ohms

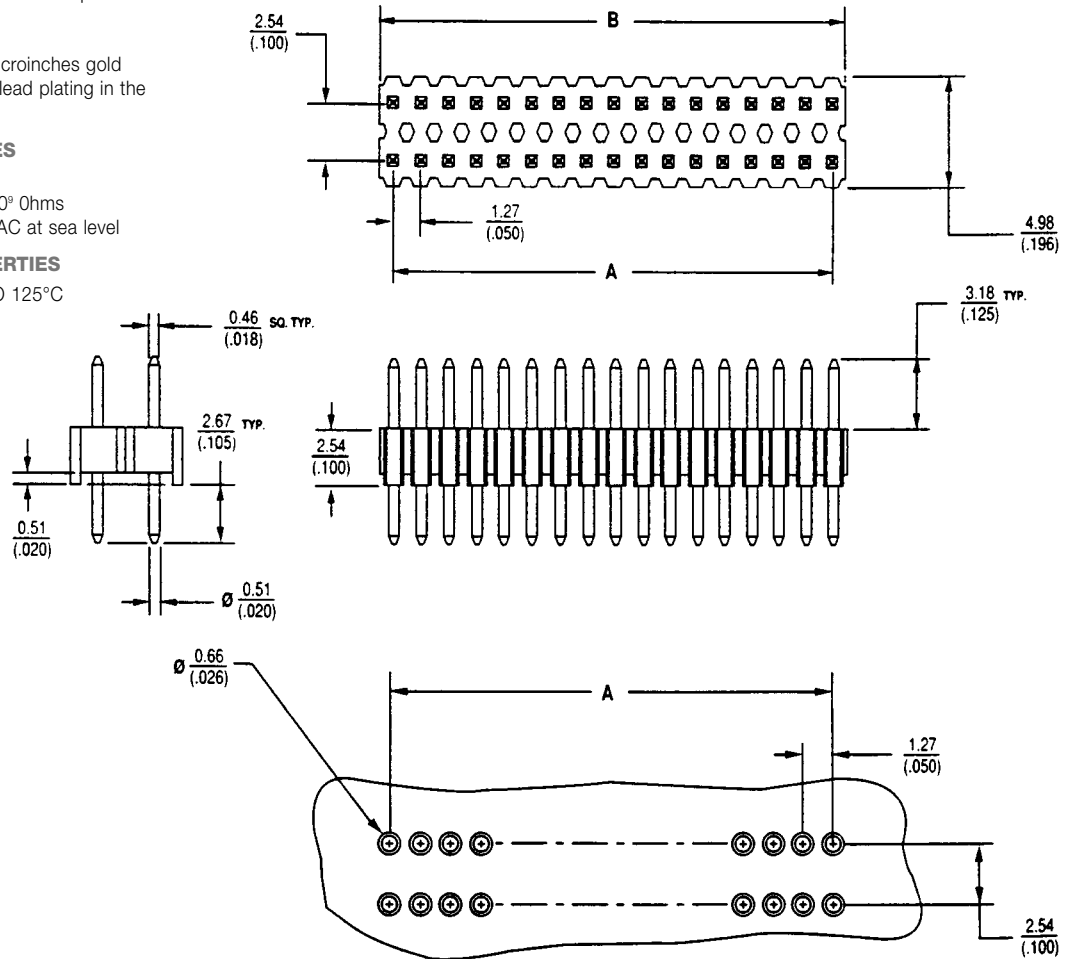
DIELECTRIC STRENGTH: > 600 VAC at sea level

ENVIRONMENTAL PROPERTIES

TEMPERATURE RATING: -55°C TO 125°C

MATING CONNECTORS

FEMALE SOCKETS: See page 8



Ordering Information

NUMBER OF POSITIONS	CATALOG NUMBER	DIMENSIONS	
		A	B
20	311-D020ST2911	11.43 (.450)	12.70 (.500)
26	311-D026ST2911	15.24 (.600)	16.51 (.650)
30	311-D030ST2911	17.78 (.700)	19.05 (.750)
34	311-D034ST2911	20.32 (.800)	21.59 (.850)
40	311-D040ST2911	24.13 (.950)	25.40 (1.000)
50	311-D050ST2911	30.48 (1.200)	31.75 (1.250)
60	311-D060ST2911	36.86 (1.450)	38.10 (1.500)
68	311-D068ST2911	41.91 (1.650)	43.18 (1.700)
80	311-D080ST2911	49.53 (1.950)	50.80 (2.000)
100	311-D100ST2911	62.23 (2.450)	63.50 (2.500)

UNSHROUDED HEADER 2-ROW, RIGHT ANGLE

.050" x .100" CENTERS



LR49571 E60980

PHYSICAL PROPERTIES

INSULATION MATERIAL: Glass filled thermoplastic rated UL 94V-0

COLOR: Black

CONTACTS: Copper alloy, 30 microinches gold over nickel in mating area, tin/lead plating in the termination area.

ELECTRICAL PROPERTIES

CURRENT RATING: 1 Amp

INSULATION RESISTANCE: >5 x 10⁹ Ohms

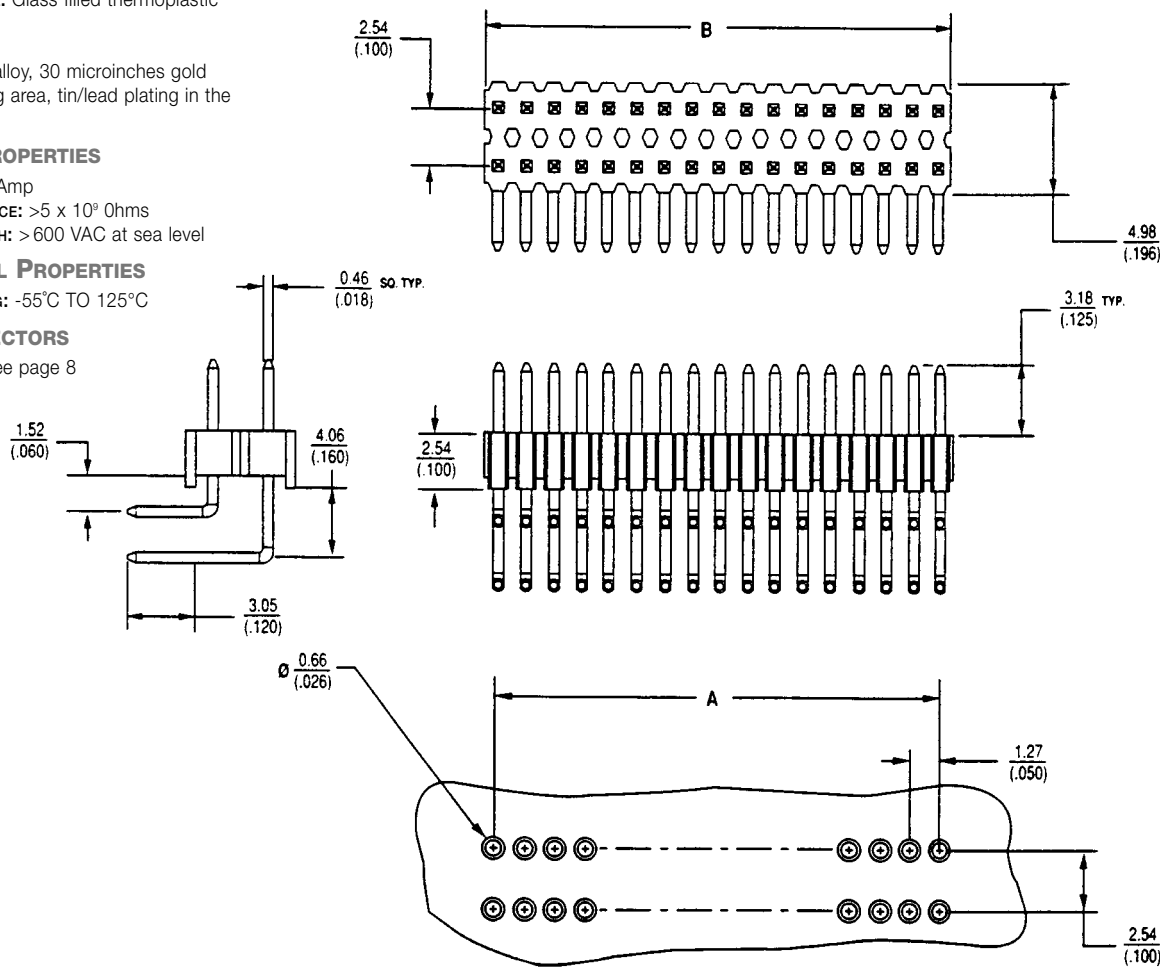
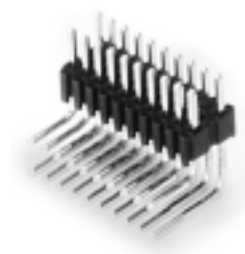
DIELECTRIC STRENGTH: > 600 VAC at sea level

ENVIRONMENTAL PROPERTIES

TEMPERATURE RATING: -55°C TO 125°C

MATING CONNECTORS

FEMALE SOCKETS: See page 8



Ordering Information

NUMBER OF POSITIONS	CATALOG NUMBER	DIMENSIONS	
		A	B
20	311-D020RA2911	11.43 (.450)	12.70 (.500)
26	311-D026RA2911	15.24 (.600)	16.51 (.650)
30	311-D030RA2911	17.78 (.700)	19.05 (.750)
34	311-D034RA2911	20.32 (.800)	21.59 (.850)
40	311-D040RA2911	24.13 (.950)	25.40 (1.000)
50	311-D050RA2911	30.48 (1.200)	31.75 (1.250)
60	311-D060RA2911	36.86 (1.450)	38.10 (1.500)
68	311-D068RA2911	41.91 (1.650)	43.18 (1.700)
80	311-D080RA2911	49.53 (1.950)	50.80 (2.000)
100	311-D100RA2911	62.23 (2.450)	63.50 (2.500)