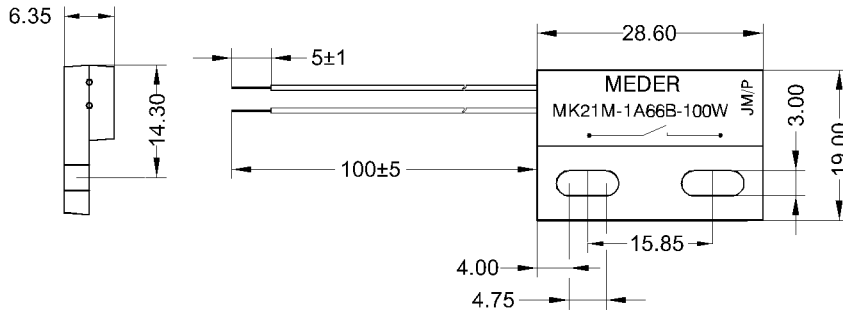


Products for tomorrow...



MARKING

MEDER-Label, Type
 Production code EN60062/
 Factory code
 Circuit diagram

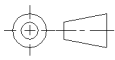
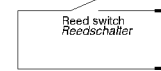
MEDER-Logo, Typ
 Produktionscode EN60062
 Fertigungsstätte
 Schaltbild

CABLE

single wires RADOX RXL 155, 0,5mm² BU
 colour blue
 ends stripped and tinned

*Einzellitzen RADOX RXL 155, 0,5mm² BU
 Farbe blau
 Enden abisoliert und verzinkt*

CIRCUIT DIAGRAM



Abmessungen / dimensions (mm)
 tolerances acc. to DIN ISO 2768-m

Magnetic properties	Conditions	Min	Typ	Max	Unit
Pull-In excitation (Reference value)	Reed switch unmodified measured in coil- "define operation"	21		51	AT
Test equipment		KMS-14			

Special Product Data	Conditions	Min	Typ	Max	Unit
Contact - form		A - NO			
Contact rating	Any DC combination of V & A not to exceed their individual max.'s			10	W
Switching voltage	DC or Peak AC			180	V
Carry current	DC or Peak AC			1,25	A
Switching current	DC or Peak AC			0,5	A
Sensor-resistance	measured with 40% overdrive			200	mOhm
Housing material		mineral-filled epoxy			
Case color		black			

Environmental data	Conditions	Min	Typ	Max	Unit
Shock	1/2 sine wave duration 11ms			50	g
Vibration	from 10 - 2000 Hz			20	g
Operating temperature	cable not moved	-40		150	°C
Operating temperature	cable moved	-30		150	°C
Storage temperature		-40		150	°C

General data	Conditions	Min	Typ	Max	Unit
Mounting advice		over 5m cable, a resistor is recommended.			
Tightening torque	Screw M3 ISO 1207 Disk ISO 7089			0,5	Nm

Modifications in the sense of technical progress are reserved

Designed at: 24.11.06 Designed by: KSCHIELENSKI Approval at: 27.11.09 Approval by: DKUECHLER
 Last Change at: 30.11.06 Last Change by: KSCHIELENSKI Approval at: Approval by: