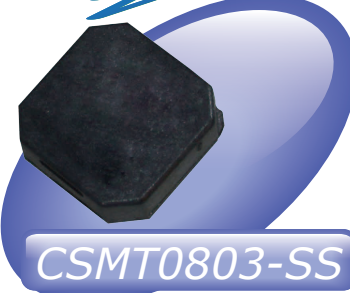
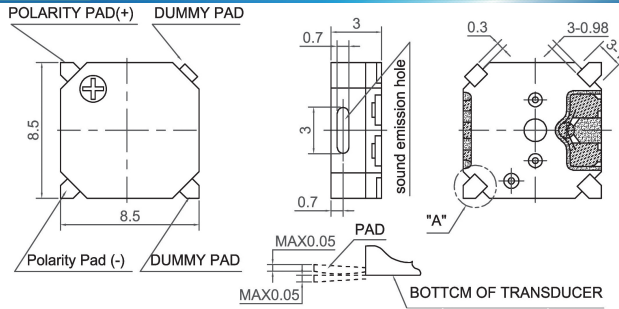
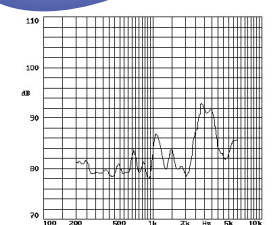


SMD Magnetic Transducer (AC)

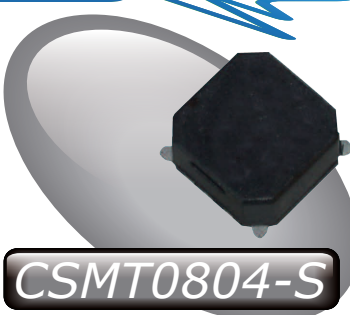


CSMT0803-SS

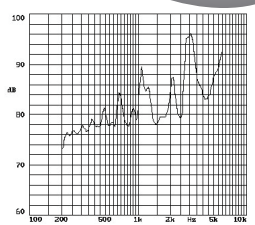
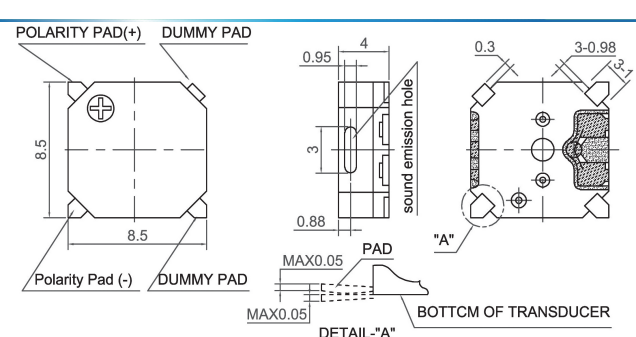
Canopus Part no.	Operating Voltage (V)	Rated Voltage (V)	Max Rated Current (mA)	Coil Resistance (Ω)	Min Sound Output (dBA)	Resonant Frequency (Hz)	Operating Temperature ($^{\circ}$ C)	Housing	Weight (g)
CSMT0803D2670LS	2 ~ 5	3.6	90	16 \pm 2.4	88 at 10cm	2670	-30 ~ +70	LCP	0.39
CSMT0803D2731LS	2 ~ 5	3.6	90	16 \pm 2.4	88 at 10cm	2731	-30 ~ +70	LCP	0.39
CSMT0803D3100LS	2 ~ 5	3.6	90	16 \pm 2.4	88 at 10cm	3100	-30 ~ +70	LCP	0.39
CSMT0803E2350LS	3 ~ 7	5	70	30 \pm 3	87 at 10cm	2350	-30 ~ +70	LCP	0.6
CSMT0803E2730LS	3 ~ 7	5	70	30 \pm 3	87 at 10cm	2730	-30 ~ +70	LCP	0.6



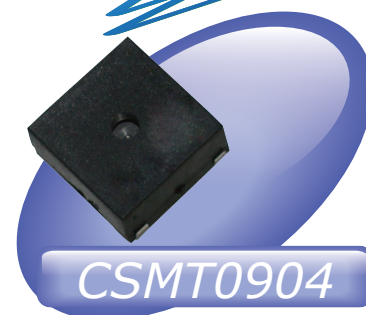
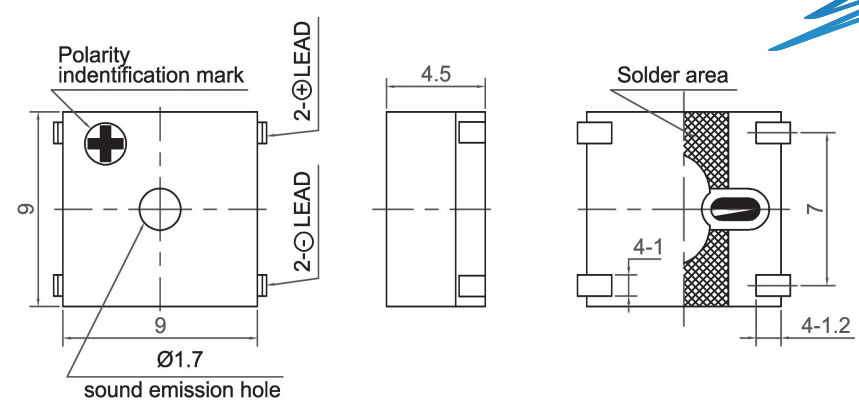
CANOPUS



CSMT0804-S

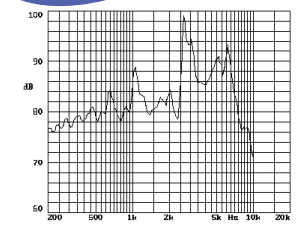


Canopus Part no.	Operating Voltage (V)	Rated Voltage (V)	Max Rated Current (mA)	Coil Resistance (Ω)	Min Sound Output (dBA)	Resonant Frequency (Hz)	Operating Temperature ($^{\circ}$ C)	Housing	Weight (g)
CSMT0804C2350LS	3 ~ 4.5	3	80	17 \pm 3	85 at 10cm	2350	-30 ~ +70	LCP	0.6
CSMT0804C2730LS	3 ~ 4.5	3	80	17 \pm 3	85 at 10cm	2730	-30 ~ +70	LCP	0.6
CSMT0804E2350LS	3 ~ 7	5	90	30 \pm 3	87 at 10cm	2350	-30 ~ +70	LCP	0.6
CSMT0804E2730LS	3 ~ 7	5	70	30 \pm 3	87 at 10cm	2730	-30 ~ +70	LCP	0.6



CSMT0904

Canopus Part no.	Operating Voltage (V)	Rated Voltage (V)	Max Rated Current (mA)	Coil Resistance (Ω)	Min Sound Output (dBA)	Resonant Frequency (Hz)	Operating Temperature ($^{\circ}$ C)	Housing	Weight (g)
CSMT0904D2670L	2.5 ~ 4.5	3.6	100	16 \pm 3	85 at 10cm	2670	-30 ~ +70	LCP	1



Your Efficient Supplier
www.canopus.com.hk

TEL.: (852) 2806 2812 Fax: (852) 2652 2216