

PLEASE CHECK WWW.MOLEX.COM FOR LATEST PART INFORMATION

Part Number: [0743206500](#)
Status: **Active**
Description: MicroCross™ DVI-A Analog Visual Interface, PCB Receptacle, Panel Mount, Through Hole, Vertical, Gold (Au) Flash, 2.79mm (.110") P.C. Tail Length, 24 Circuits, Lead Free

Documents:

[Drawing \(PDF\)](#) [RoHS Certificate of Compliance \(PDF\)](#)
[Product Specification PS-74320-001 \(PDF\)](#)

Agency Certification

UL E29179

General

Product Family I/O Connectors
 Series [74320](#)
 Application Wire-to-Board
 Comments DDWG (Digital Display Working Group) Standard
 Component Type Receptacle
 Product Name MicroCross™DVI
 Type N/A

Physical

Boot Color N/A
 Circuits (Loaded) 24
 Circuits (maximum) 24
 Color - Resin Natural
 Durability (mating cycles max) 100
 Flammability 94V-0
 Gender Receptacle
 Keying to Mating Part Yes
 Lock to Mating Part Yes
 Material - Metal Copper Alloy
 Material - Plating Mating Gold
 Material - Plating Termination Tin
 Number of Rows 3
 Orientation Vertical
 PC Tail Length (in) 0.110 In
 PC Tail Length (mm) 2.79 mm
 PCB Locator Yes
 PCB Retention Yes
 Packaging Type Tray
 Panel Mount Yes
 Pitch - Mating Interface (in) 0.075 In
 Pitch - Mating Interface (mm) 1.91 mm
 Pitch - Term. Interface (in) 0.075 In
 Pitch - Term. Interface (mm) 1.91 mm
 Plating min: Mating (µin) 2
 Plating min: Mating (µm) 0.05
 Plating min: Termination (µin) 100
 Plating min: Termination (µm) 2.50
 Polarized to Mating Part Yes
 Polarized to PCB Yes
 Ports 1
 Surface Mount Compatible (SMC) No
 Temperature Range - Operating -20°C to +85°C
 Termination Interface: Style Through Hole

EU RoHS

**ELV and RoHS
Compliant**
REACH SVHC
 Not Reviewed
**Halogen-Free
Status**

Not Reviewed

China RoHS



**Need more information on product
environmental compliance?**

Email productcompliance@molex.com
 For a multiple part number RoHS Certificate of Compliance, [click here](#)

Please visit the [Contact Us](#) section for any non-product compliance questions.

Search Parts in this Series

[74320Series](#)

Mates With

[88744](#) , [74323](#)

Waterproof / Dustproof	No
Wire Size AWG	N/A
Electrical	
Current - Maximum per Contact	3A
Grounding to Panel	Yes
Shield Type	Full Shield
Shielded	Yes
Voltage - Maximum	40V AC (RMS)

Material Info

Reference - Drawing Numbers

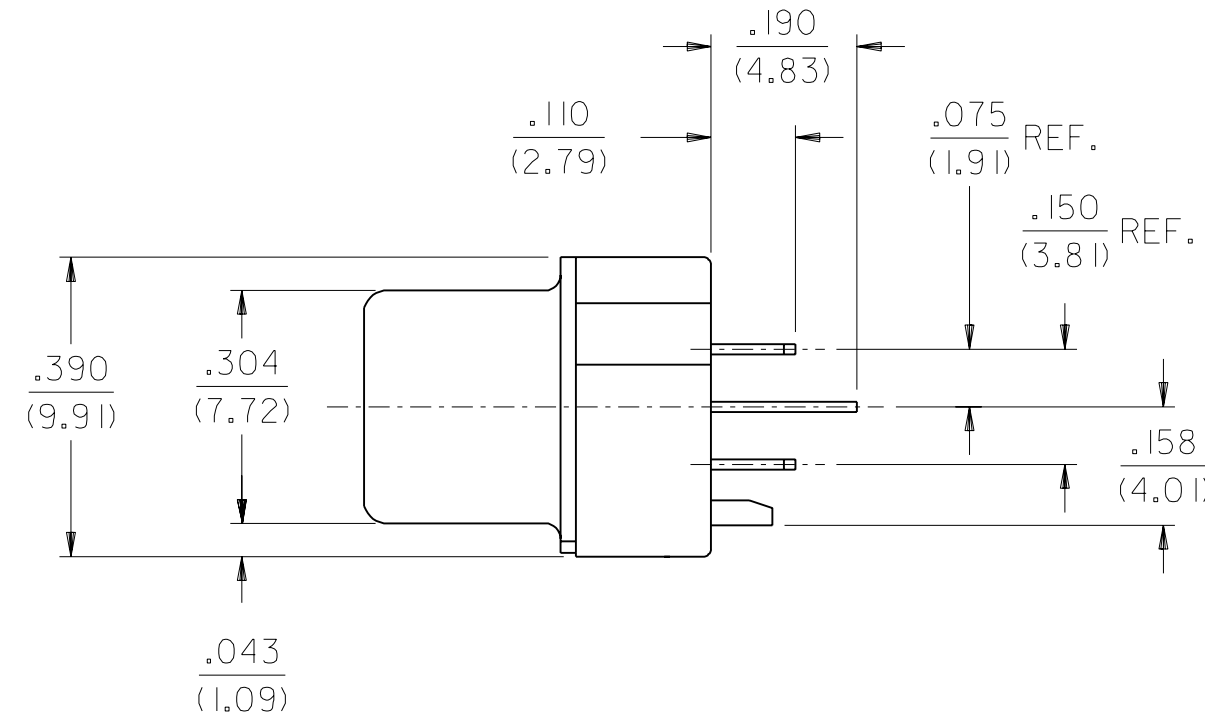
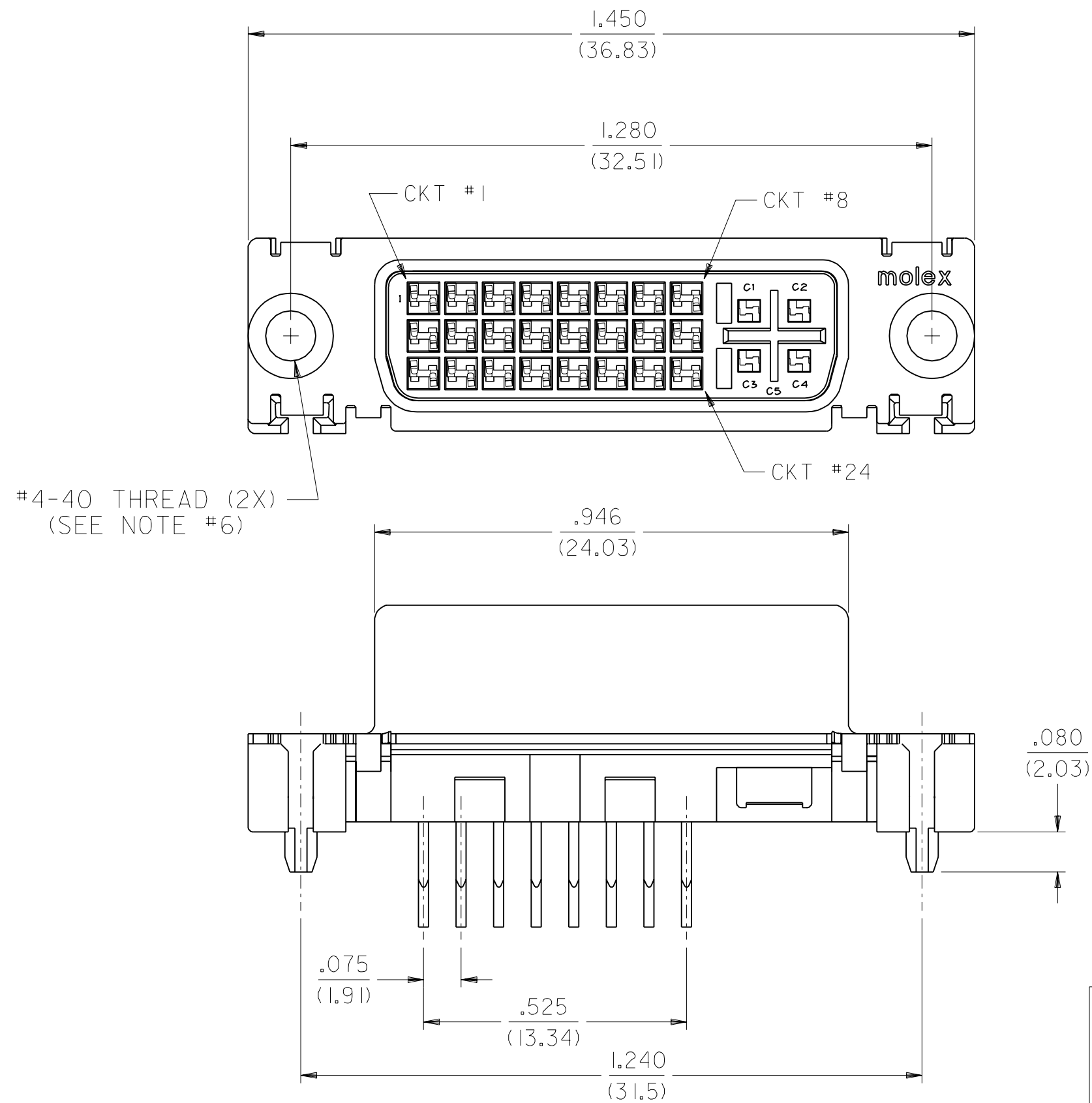
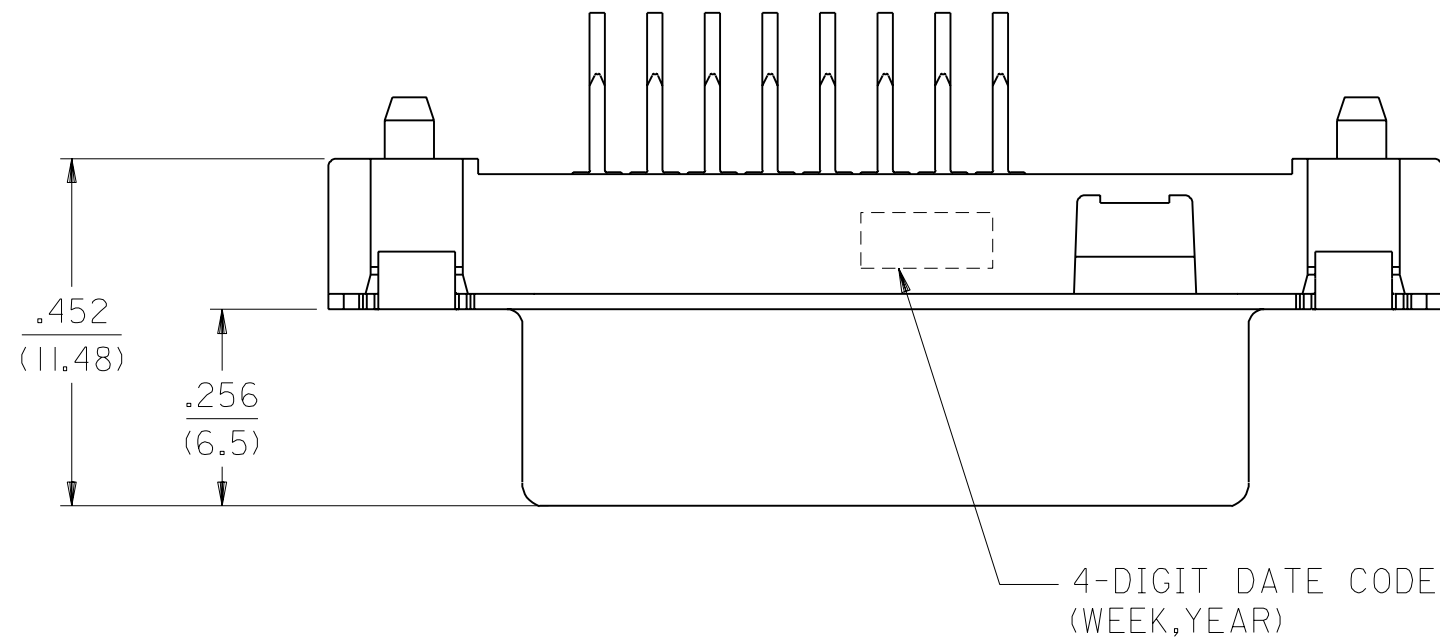
Product Specification	PS-74320-001
Sales Drawing	SD-74320-022

This document was generated on 04/05/2010

PLEASE CHECK WWW.MOLEX.COM FOR LATEST PART INFORMATION

NOTES:

1. MATERIALS: SHIELD -- DEEP DRAW STEEL.
HOUSING -- GLASS FILLED POLYMER, NATURAL (WHITE), UL 94v-0.
CONTACTS -- COPPER ALLOY.
MICROCROSS GROUND -- COPPER ALLOY.
2. PLATING: OUTER SHIELD -- 150u"/(3.75um) MIN. BRIGHT TIN OVER
50u"/(1.27um) MIN. NICKEL OVER COPPER FLASH.
.075"/(1.91mm) CONTACTS -- SELECT GOLD FLASH AND
100u"/(2.50um) MIN. SELECT PURE TIN
OVER 50u"/(1.27um) MIN. NICKEL OVERALL.
3. PRODUCT CONFORMS TO MOLEX PRODUCT SPECIFICATION NUMBER PS-74320-001.
4. PARTS WILL BE PACKAGED IN TRAYS PER PK-74320-010.
5. PRODUCT CONFORMS TO DDWG DVI SPECIFICATION. REFER TO THIS SPECIFICATION FOR CONNECTOR MATING DIMENSIONS.
6. REFER TO PRODUCT SPECIFICATION NUMBER PS-74320-001 FOR THE APPLICATION TORQUE REQUIREMENT.



MODIFICATION EC No. SH2004-0130 DRWN: DXUE 04/03/05 CHK: HARVEY 04/03/11 APPR: SHUANG 04/03/12	QUALITY SYMBOLS	GENERAL TOLERANCES: (UNLESS SPECIFIED)		SCALE 4 : 1	DESIGN UNITS <input type="checkbox"/> mm <input checked="" type="checkbox"/> INCH	THIRD ANGLE PROJECTION	DIMENSIONS: <input type="checkbox"/> mm ONLY <input checked="" type="checkbox"/> INCH ONLY	SHT	REV
	MAJOR $\nabla=0$	4 PLACES	±0.	±.	DRAWN BY & DATE TMCCLELL 00/01/19	TITLE: DVI-A VERTICAL RECEPTACLE FOR DIGITAL ADAPTER ASSEMBLY	<input type="checkbox"/> mm ONLY <input checked="" type="checkbox"/> INCH ONLY	REVISE ON CAD ONLY	
	CRITICAL $\nabla_c=0$	3 PLACES	±0.	±.010	CHECKED BY & DATE SCHMIDGA 00/01/19				
		2 PLACES	±0.25	±.010	APPROVED BY & DATE RNELSON 00/01/19				
		1 PLACE	±0.25	±.010	CAD FILENAME SD74320022.S01	MATERIAL NO. 74320-6500	DRAWING NO. SD-74320-022	SHEET NO. 1 OF 1	
D	REV	DRAFT WHERE APPLICABLE MUST REMAIN WITHIN DIMENSIONS			THIS DRAWING CONTAINS INFORMATION THAT IS PROPRIETARY TO MOLEX INCORPORATED AND SHOULD NOT BE USED WITHOUT WRITTEN PERMISSION.				SIZE C