

PLEASE CHECK WWW.MOLEX.COM FOR LATEST PART INFORMATION

Part Number: **0508627425**
Status: **Active**
Description: Ring Tongue Terminal for 2/0 AWG, Closed Uninsulated Brazed Barrel, Stud Size 1/2" (M12), Oxygen-Free Copper, Length 51.00mm (2.008")

Documents:

[Drawing \(PDF\)](#) [RoHS Certificate of Compliance \(PDF\)](#)
[Product Specification PS-50862-001 \(PDF\)](#)

General

| | |
|-------------------------|--------------------------|
| Product Family | Ring and Spade Terminals |
| Series | <u>50862</u> |
| Crimp Quality Equipment | Yes |
| Mil-Spec | N/A |
| Product Name | R (Ring) |
| Type | Ring |

Physical

| | |
|---------------------------|-----------------|
| Barrel Type | Closed - Brazed |
| Insulation | None |
| Material - Plating Mating | Tin |
| Packaging Type | Bag |
| Stud Size | 1/2" (M12) |
| Wire Size AWG | 2/0 |
| Wire Size mm ² | 60.57 - 76.28 |

Material Info

Reference - Drawing Numbers

| | |
|-----------------------|--------------|
| Product Specification | PS-50862-001 |
| Sales Drawing | SD-50862-001 |



image - Reference only

Series

EU RoHS

ELV and RoHS Compliant

REACH SVHC

Not Reviewed

Halogen-Free

Status

Not Reviewed

China RoHS



Need more information on product environmental compliance?

Email productcompliance@molex.com
 For a multiple part number RoHS Certificate of Compliance, [click here](#)

Please visit the [Contact Us](#) section for any non-product compliance questions.

Search Parts in this Series

50862Series

Application Tooling | FAQ

Tooling specifications and manuals are found by selecting the products below. Crimp Height Specifications are then contained in the Application Tooling Specification document.

Japan

| Description | Product # |
|--|-------------------|
| Battery Type Hand Crimper For JIS Terminal | <u>0573439004</u> |

10 9 8 7 6 5 4 3 2 1

F

E

D

C

B

A

F

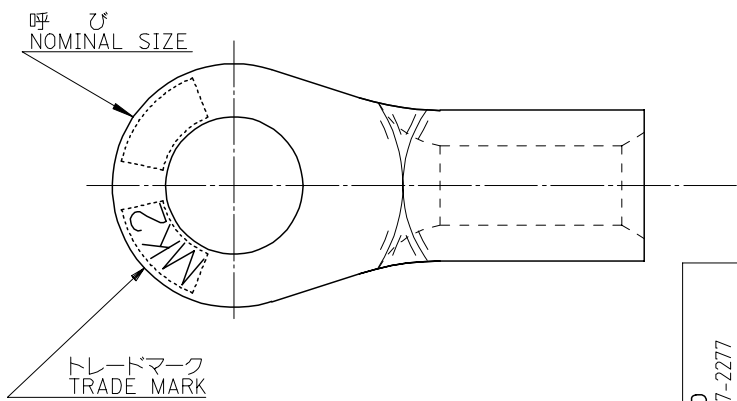
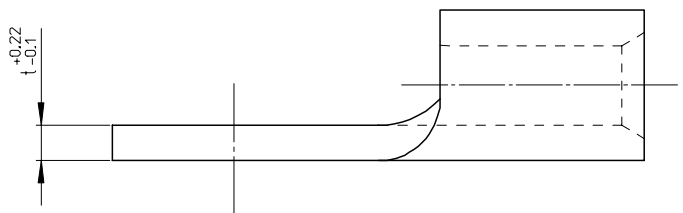
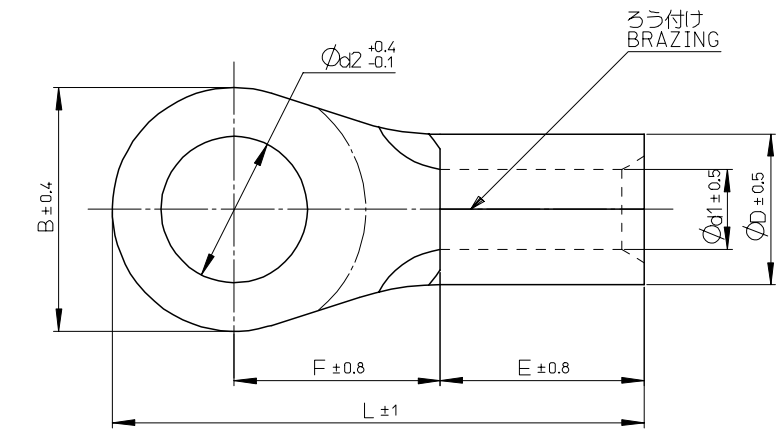
E

D

C

B

A



注記 NOTES

- 1 材質 MATERIAL
 端子: 無酸素銅、スズメッキ
 TERMINAL: OXYGEN-FREE COPPER, TIN PLATING
 ろう付け部: 銀ろう
 PART OF BRAZING: SILVER SOLDER
- 2 適用電線 APPLICABLE WIRE RANGE

| 単線 SOLID WIRE | 撚線 STRANDED WIRE |
|------------------|-----------------------------|
| 8.26-9.27 mm | 60.57-76.28 mm ² |

| | | | | | | | | | | |
|---|------|----|----|----|------|------|----|--------------------|----------|------------|
| 2 | 25 | 61 | 26 | 19 | 13.3 | 17.5 | 32 | 70 | 24 | 50862-7925 |
| | 21 | | | | | | | | 20 | -7825 |
| | 19 | | | | | | | | 18 | -7725 |
| | 17 | | | | | | | | 16 | -7625 |
| | 15 | | | | | | | | 14 | -7525 |
| | 13 | | | | | | | | 12 | -7425 |
| | 11.5 | | | | | | | | 11 | -7325 |
| | 10.5 | | | | | | | | 10 | -7225 |
| | 8.4 | | | | | | | | 8 | -7125 |
| | 6.4 | | | | | | | | 6 | 50862-7025 |
| t | d2 | L | F | E | d1 | D | B | 呼び NOMINAL SIZE | ENG. NO. | |

| | | | | | | | | |
|--|---------------------------------------|-----------|----------------------------|------------------------------|------------------------|------------------------|------------------------|--|
| RELEASED EC NO: J2007-2277 DRWNG: ITO 2007/03/27 CHKD: KASAHARA 2007/05/18 APPR: NUKITA 2007/05/21 | GENERAL TOLERANCES (UNLESS SPECIFIED) | | DIMENSION STYLE MM ONLY | | SCALE --- | DESIGN UNITS METRIC | THIRD ANGLE PROJECTION | |
| | 10 UNDER | ± --- | DRAWN BY K. ITO | DATE 2007/02/06 | TITLE RING TERMINAL | | | |
| | 10 OVER 30 UNDER | ± --- | CHECKED BY K. KASAHARA | DATE 2007/02/06 | MOLEX INCORPORATED | | | |
| | 30 OVER | ± --- | APPROVED BY N. UKITA | DATE 2007/02/06 | | | | |
| | ANGULAR | ± --- ° | MATERIAL NO. | DOCUMENT NO. SD-50862-001 | SHEET NO. 1 OF 1 | | | |
| DRAFT WHERE APPLICABLE MUST REMAIN WITHIN DIMENSIONS | | SEE CHART | | | | | | |