

PLEASE CHECK WWW.MOLEX.COM FOR LATEST PART INFORMATION

Part Number: [0521160411](#)
Status: **Active**
Overview: [splash_proof](#)
Description: 2.50mm (.098") Pitch Splash Proof Wire-to-Wire Plug Housing, 4 Circuits

Documents:

[3D Model](#) [Product Specification PS-52117-006 \(PDF\)](#)
[Drawing \(PDF\)](#) [RoHS Certificate of Compliance \(PDF\)](#)
[Product Specification PS-52117-005 \(PDF\)](#)

General

Product Family	Crimp Housings
Series	52116
Overview	splash_proof
Product Name	Splash Proof

Physical

Circuits (maximum)	4
Color - Resin	Black
Gender	Plug
Glow-Wire Compliant	No
Lock to Mating Part	Yes
Material - Resin	Polyester
Number of Rows	1
Packaging Type	Tray
Panel Mount	No
Pitch - Mating Interface (in)	0.098 In
Pitch - Mating Interface (mm)	2.50 mm
Stackable	No
Temperature Range - Operating	-40°C to +105°C

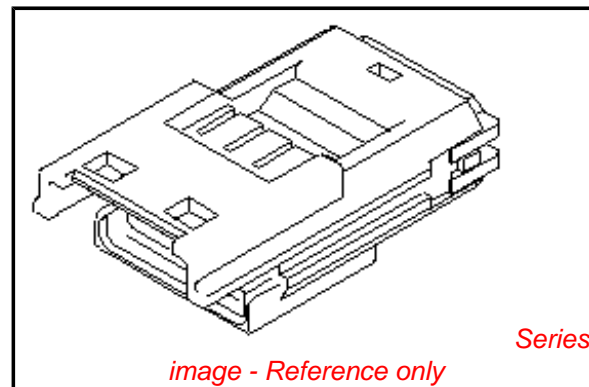
Electrical

Current - Maximum per Contact	3A
-------------------------------	----

Material Info

Reference - Drawing Numbers

Packaging Specification	SPK-52116-001
Product Specification	PS-52117-005, PS-52117-006
Sales Drawing	SD-52116-041*



EU RoHS

**ELV and RoHS
Compliant**
REACH SVHC
 Not Reviewed
**Halogen-Free
Status**

China RoHS



**Need more information on product
environmental compliance?**

Email productcompliance@molex.com
 For a multiple part number RoHS Certificate of
 Compliance, [click here](#)

Please visit the [Contact Us](#) section for any
 non-product compliance questions.

Search Parts in this Series

[52116Series](#)

Mates With

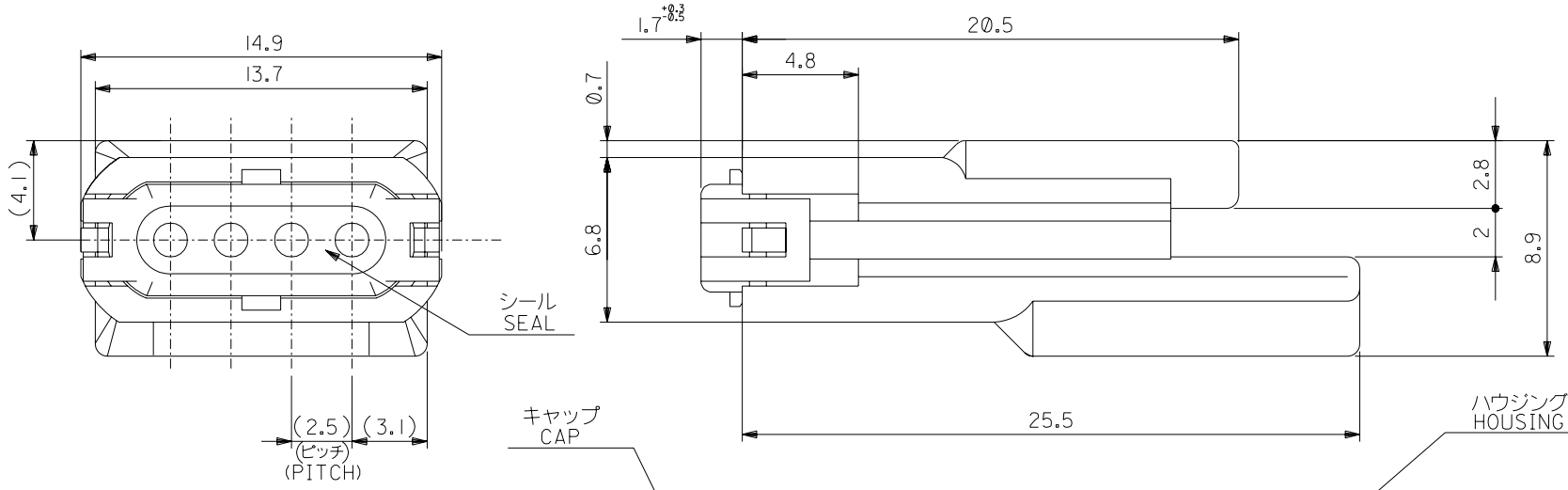
[52117](#)

Use With

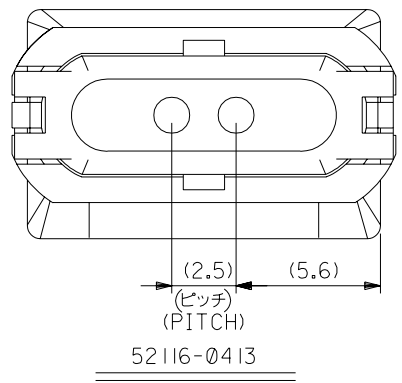
[50038](#)

PLEASE CHECK WWW.MOLEX.COM FOR LATEST PART INFORMATION

DWG. NO. SD-52116-041*
 DIMENSIONS IN METRIC DO NOT SCALE DRAWING

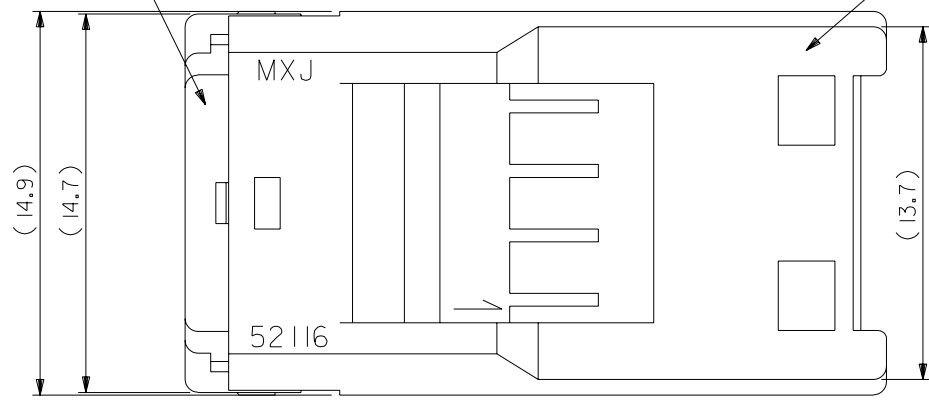


52116-0410, 52116-0411, 52116-0412



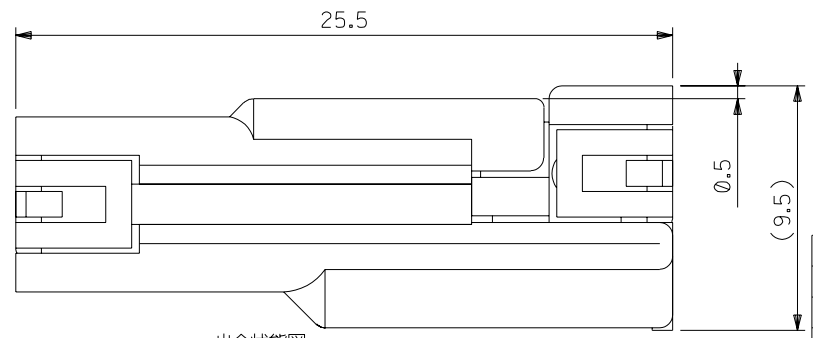
52116-0413

キャップ
CAP



**注記
NOTES**

- 適合ターミナル: 50038-8*00
APPLICABLE TERMINAL: 50038-8*00
- 材料:
MATERIAL:
キャップ: ポリエステル(ガラス15%含有)
CAP: POLYESTER (15%G.F.)
ハウジング: ポリエステル(ガラス15%含有)
HOUSING: POLYESTER (15%G.F.)
シール: シリコンゴム
SEAL: SILICONE
- 適合相手: 52117-041*
MATES WITH: 52117-041*



嵌合状態図
FULLY MATED CONDITION

AVS0.3, AWG#20-22	黒	BLACK	52116-0413
AVS0.3, AWG#20-22	赤	RED	52116-0412
AVS0.3, AWG#20-22	黒	BLACK	52116-0411
AVS0.3, AWG#20-22	白	WHITE	52116-0410
適用電線範囲 WIRE RANGE	ハウジングの色 HS'G COLOR		製品番号 ENG. NO.

材料 MATERIAL				注記参照 SEE NOTES		molex MOLEX-JAPAN CO.,LTD. 日本モレックス株式会社	
仕上げ FINISH				//		REVISE ONLY ON CAD SYSTEM	
適用電線範囲 WIRE RANGE				表参照 SEE CHART		TITLE 名称	
被覆外径 INS. RANGE				φ 1.8-1.9		2.5 SPLASH PROOF CONN. PLUG HS'G ASS'Y W/POSITIVE LOCK	
角度 ANGLE		+3°		C 変更 (J2003-1723) REVISED		DR. / CHK. / DATE	
30°以上 OVER		+0.3		B 変更 (J45032) REVISED		7/12/88	
10°以上 OVER 30°未滿 UNDER		+0.25		A 変更 (J90218) REVISED		3/16/89	
10°未滿 UNDER		+0.2		0 新規作図 (J80600) NEW DRAWING		7/12/88	
一般公差 GENERAL TOLERANCES				記号 LTR		変更内容 REVISION RECORD	
				DR. / CHK. / DATE		APP'D BY '94/4/12 M.ENOMOTO	
				MATERIAL		CHK'D BY '94/4/12 M.SAKANO	
				FINISH		SCALE 5-1	
				WIRE RANGE		DWG. NO.	
				INS. RANGE		SD-52116-041*	
				REV. C			