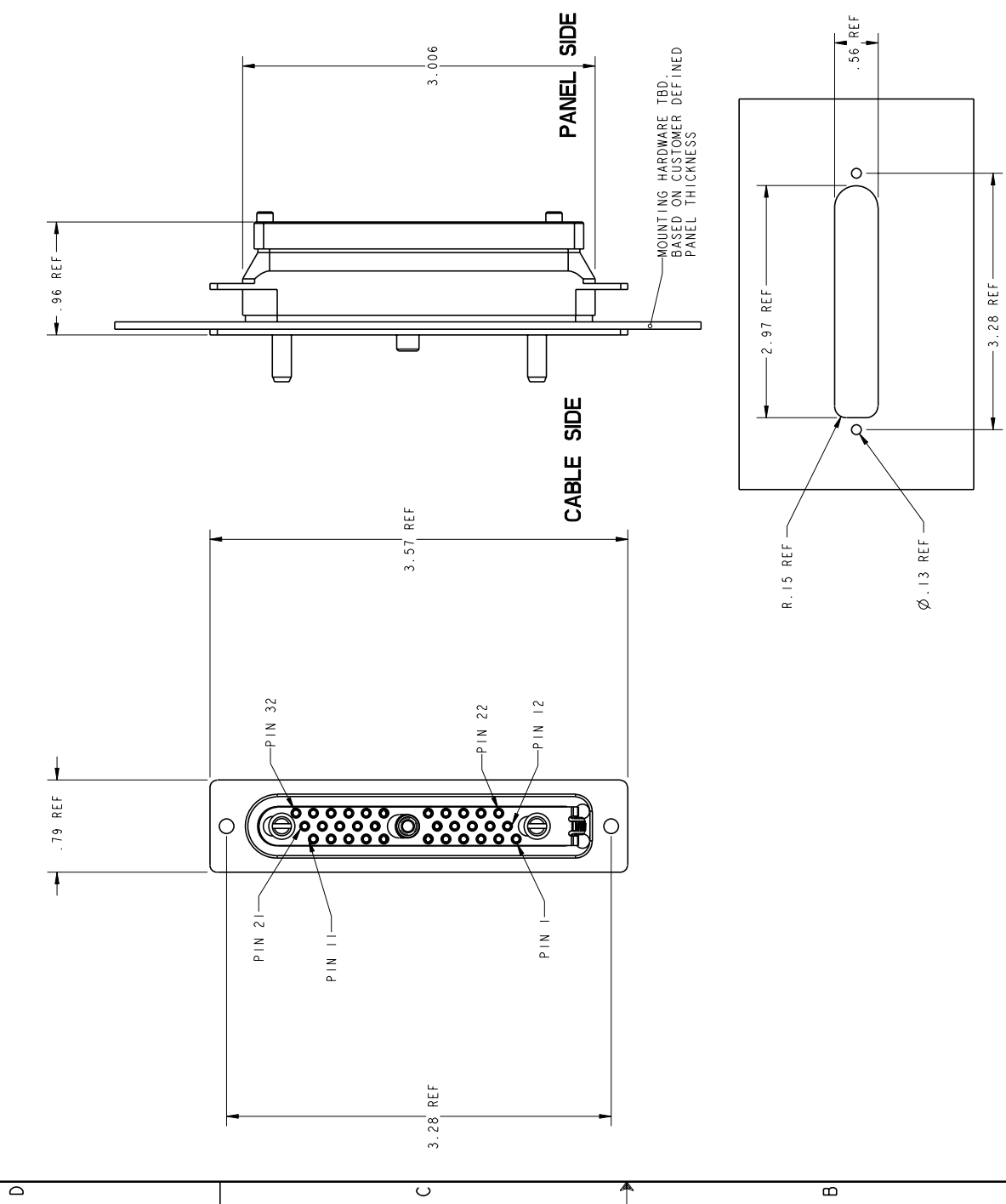


THIS IS ISSUED IN STRICT CONFIDENCE ON CONDITION THAT IT IS NOT COPIED, REPRODUCED OR DISCLOSED TO A THIRD PARTY WITHOUT THE PRIOR WRITTEN CONSENT OF LITTON.

8 7 6 5 4 3



NOTES: UNLESS OTHERWISE DESIGNATED

RECOMMENDED PANEL CUT OUT

D C B