

**PLEASE CHECK WWW.MOLEX.COM FOR LATEST PART INFORMATION**

**Part Number:** [0191930195](#)  
**Status:** **Active**  
**Description:** VersaKrimp™ Ring Tongue Terminal for 8 AWG Wire

**Documents:**

[Drawing \(PDF\)](#) [RoHS Certificate of Compliance \(PDF\)](#)

**Agency Certification**

CSA LR18689  
 UL E32244

**General**

Product Family Ring and Spade Terminals  
 Series [19193](#)  
 Crimp Quality Equipment Yes  
 Mil-Spec N/A  
 Product Name VersaKrimp™  
 Type Ring

**Physical**

Barrel Type Closed - Brazed  
 Insulation None  
 Material - Plating Mating Tin  
 Packaging Type Bag  
 Plating min: Mating (µin) 160  
 Plating min: Mating (µm) 4  
 Plating min: Termination (µin) 160  
 Plating min: Termination (µm) 4  
 Stud Size 5/8" (M16)  
 Wire Size AWG 8  
 Wire Size mm² 0.60 - 10.5

**Material Info**

Old Part Number D-353-58

**Reference - Drawing Numbers**

Sales Drawing SD-19193-037



**EU RoHS**

**ELV and RoHS  
 Compliant**

**REACH SVHC  
 Contains SVHC: No  
 Halogen-Free  
 Status**

**Not Reviewed**

**China RoHS**



**Need more information on product  
 environmental compliance?**

Email [productcompliance@molex.com](mailto:productcompliance@molex.com)  
 For a multiple part number RoHS Certificate of  
 Compliance, [click here](#)

Please visit the [Contact Us](#) section for any  
 non-product compliance questions.

**Search Parts in this Series**

[19193Series](#)

**Application Tooling | [FAQ](#)**

*Tooling specifications and manuals are  
 found by selecting the products below.  
 Crimp Height Specifications are then  
 contained in the Application Tooling  
 Specification document.*

**Global**

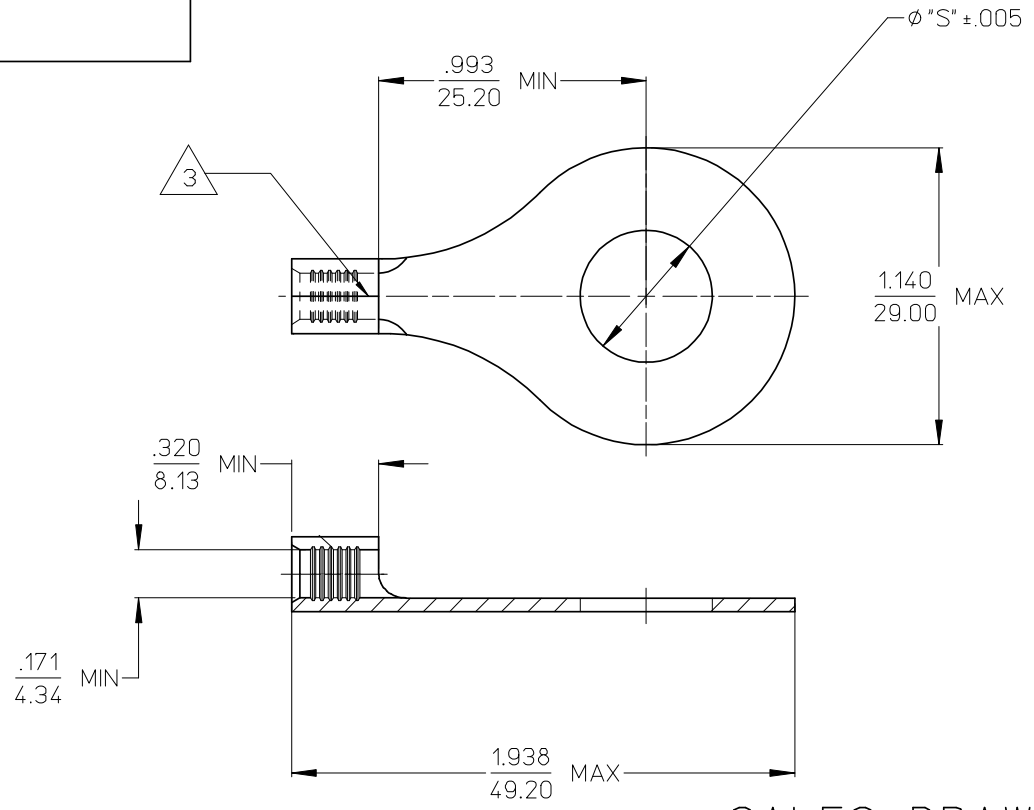
Description	Product #
Putt Pump Dieless Head System	<a href="#">0192860065</a>
Manual tool for Crimping non-insulated 8AWG thru 4/0 Terminals	<a href="#">0192940008</a>
Manual Putt Pump Hydraulic System, Die set required	<a href="#">0192860117</a>
Die Set (large) for the HHLS Hydraulic Crimper	<a href="#">0192900001</a>
Hand Crimp Tool	<a href="#">0640013900</a>

Crimp Head for the 0640074400  
AT-200™ Pneumatic  
Hand Tool

This document was generated on 04/12/2010

**PLEASE CHECK [WWW.MOLEX.COM](http://WWW.MOLEX.COM) FOR LATEST PART INFORMATION**

MATERIAL NUMBER	ENGINEERING NUMBER	STUD SIZE	"S"	PACKAGING
191930191	D-353-14	1/4	.256	LOOSE PIECE
191930194	D-353-56	5/16	.328	
191930193	D-353-38	3/8	.390	
191930196	D-353-76	7/16	.453	
191930190	D-353-12	1/2	.515	
191930195	D-353-58	5/8	.656	
191930192	D-353-34	3/4	.781	



SALES DRAWING

- NOTES:  
 1. MATERIAL: COPPER  
 PLATING: ELECTROPLATE TIN  
 2. ALL DIMENSIONS IN INCHES/(MM).  
 3. BRAZED SEAM.  
 4. PART IS ROHS COMPLIANT.

RELEASE SALES DWG EIC NO: WNA 2008-0012 DRWN: ETHRODAHL 2008/02/21 CHKD: JMACNEIL 2008/03/03 APPR: JMACNEIL 2008/03/03	QUALITY SYMBOLS	GENERAL TOLERANCES (UNLESS SPECIFIED)		DIMENSION STYLE	SCALE	DESIGN UNITS	THIRD ANGLE PROJECTION		
	$\nabla=0$ $\nabla=0$	mm	INCH	IN/MM	2:1	INCH			
		4 PLACES ±---	±---	DRAWN BY	DATE	TITLE RING TONGUE TERMINAL 8 AWG			
		3 PLACES ±---	±.005	ETHRODAHL	2008/02/21				
	2 PLACES ±0.13	±.01	CHECKED BY	DATE	MOLEX INCORPORATED				
	1 PLACE ±0.25	±---	JMACNEIL	2008/02/21					
	ANGULAR ±---°		APPROVED BY	DATE	MATERIAL NO.		SHEET NO.		
			JMACNEIL	2008/02/21	SEE CHART		SD-19193-037		
			DRAFT WHERE APPLICABLE MUST REMAIN WITHIN DIMENSIONS		THIS DRAWING CONTAINS INFORMATION THAT IS PROPRIETARY TO MOLEX INCORPORATED AND SHOULD NOT BE USED WITHOUT WRITTEN PERMISSION				