

SINGLE RJ45 CONNECTOR MODULE WITH INTEGRATED 10/100 BASE-TX MAGNETICS AND LEDS

P/N: NU1S516-434

Feature



- RJ-45 connector integrated with X'FMR / Impedance Resistor/High Voltage Capacitor.
- Size same as RJ-45 connector to save PCB board space.
- Reduce EMI radiation, improve EMI performance.
- Design for 100 base transmission over UTP-5 CABLE.
- Operating temperature range: 0°C to +70°C.
- Storage temperature range: -25°C to +85°C.

Electrical Specifications @ 25°C

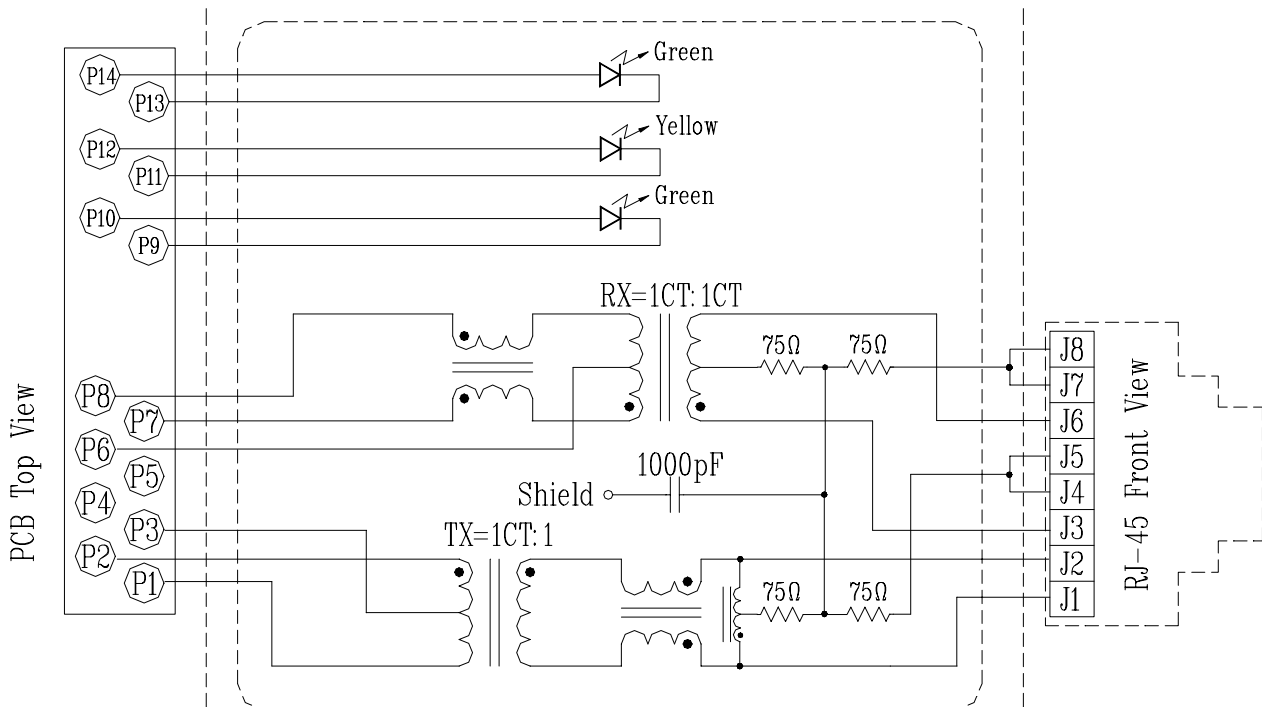
| Part Number | Turns Ratio (±5%) | | OCL (uH Min) @ 100 KHz/0.1V with 8mA DC Bias | C _{ww} (pF Max) | L.L (uH Max) | Rise Time 10-90%(nSTyp) | Insertion Loss (dB Max) | HI-POT (Vrms) |
|-------------|-------------------|---------|----------------------------------------------------|-----------------------------|-----------------|----------------------------|----------------------------|------------------|
| | TX | RX | | | | | 0.3-100MHz | |
| NU1S516-434 | 1CT:1 | 1CT:1CT | 350 | 28 | 0.4 | 2.5 | -1.15 | 1500 |

Continue

| Part Number | Return Loss (dB Min) | | | | | Cross talk (dB Min) | | | CMR (dB Min) | | |
|-------------|-------------------------|-------|-------|-------|-------|------------------------|----------|-----------|-----------------|----------|-----------|
| | 30MHz | 40MHz | 50MHz | 60MHz | 80MHz | 0.3-30MHz | 30-60MHz | 60-100MHz | 1-30MHz | 30-60MHz | 60-125MHz |
| NU1S516-434 | -16 | -14 | -13.5 | -13 | -10 | -40 | -35 | -30 | -30 | -25 | -20 |

Schematic

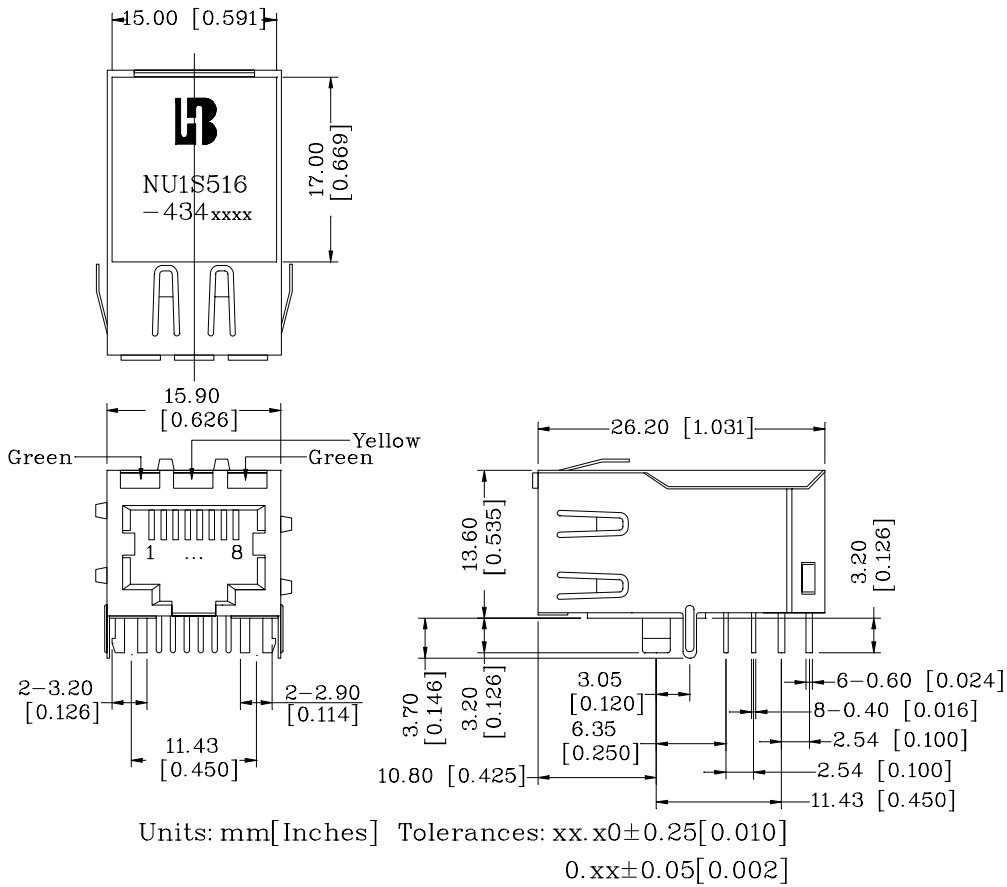
Block Circuit x 1set in NU1S516-434



SINGLE RJ45 CONNECTOR MODULE WITH INTEGRATED 10/100 BASE-TX MAGNETICS AND LEDS

P/N: NU1S516-434

Mechanical



- 1. Plastic Material : PBT 15% Glass Filled(UL 94V-0), Black Housing
- 2. Metal Shield : Brass C2680-H, 20u Nickel Plated, t=0.25mm
- 3. Spring Wire : 0.45mm Dia. Phosphor bronze with 6u gold plated
- 4. Solder Pin : 0.4x0.4mm, Phosphor bronze with solder Plated
- 5. Durability : 300 Mating cycles Min.

PCB Layout Mounting Hole(Top View)

