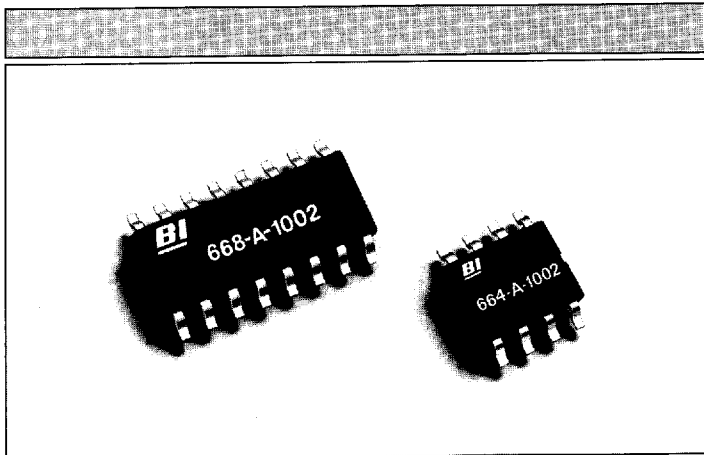


Model 664, 667, 668 Surface Mount Precision Thin Film Dual In-Line .150" Resistor Network

T-62-05



Electrical

Operating Temperature Range	-55°C to +125°C
Resistance Voltco	≈0
Interlead Capacitance	<2pF
Operating Voltage, Maximum	100V dc or √PR
Insulation Resistance, Minimum	10,000 Megohms
Noise, Maximum (Mil-Std-202, Method 308)	-40dB

Mechanical

Lead Plating	85/15 Tin Lead
Lead Material	Copper Alloy
Lead Configuration	Gull Wing
Lead Coplanarity	0.004" (0.102mm)
Substrate Material	Alumina
Resistor Material	Nichrome
Body Material	Molded Epoxy

Environmental

Thermal Shock plus Power Conditioning	ΔR 0.25%
Low Temperature Operation	ΔR 0.1%
Short Time Overload	ΔR 0.1%
Terminal Strength	ΔR 0.1%
Moisture Resistance	ΔR 0.2%
Mechanical Shock	ΔR 0.25%
Vibration	ΔR 0.25%
Low Temperature Storage	ΔR 0.1%
High Temperature Exposure	ΔR 0.1%
Load Life, 1,000 Hours	ΔR 0.1%
Resistance to Solder Heat	ΔR 0.1%
Dielectric Withstanding Voltage	100V for 1 minute
Temperature Exposure, Maximum	215°C for 3 minutes
Marking Permanency	per Paragraph 4.6.7
Lead Solderability	per Paragraph 4.6.6
Flammability	UL-94V-0 Rated
Storage	-65°C to +125°C

Specifications subject to change without notice.

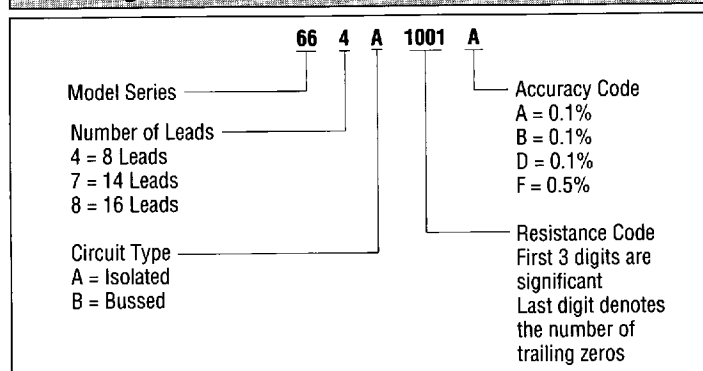
Tolerances

Accuracy Code	A*	B	D	F
Absolute Resistance Tolerances, At 25°C	0.1%	0.1%	0.5%	1.0%
Ratio	0.05%	0.1%	0.1%	0.5%
Temperature Coefficient of Resistance	±25ppm/°C			
Temperature Coefficient of Resistance Tracking	±5ppm/°C			

Standard Resistance Values, Ohms

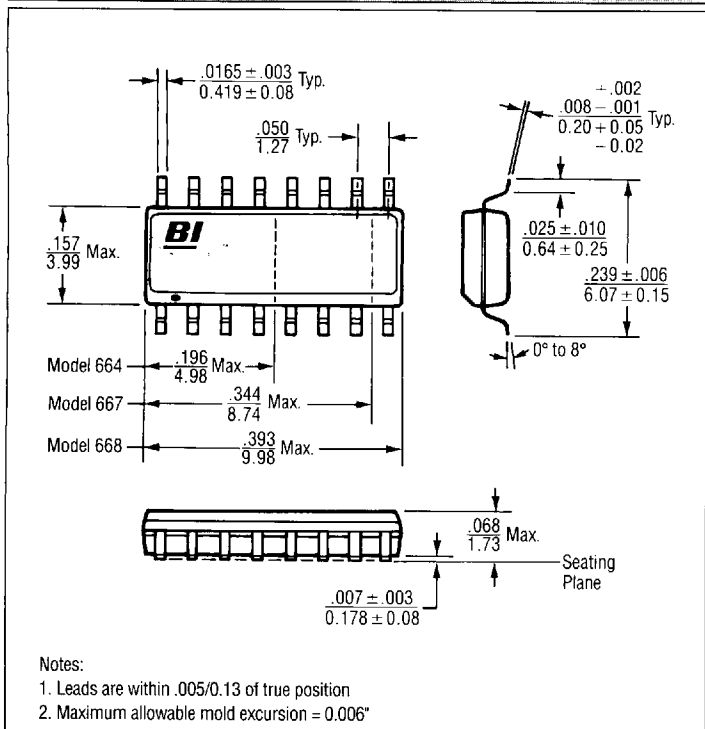
664A		667A, 668A		667B, 668B	
Ohms	Code	Ohms	Code	Ohms	Code
1K	1001	1K	1001	10K	1002
2K	2001	2K	2001	20K	2002
5K	5001	5K	5001		
10K	1002	10K	1002		
20K	2002	20K	2002		
50K	5002	47K	4702		
100K	1003	50K	5002		
		100K	1003		

Ordering Information

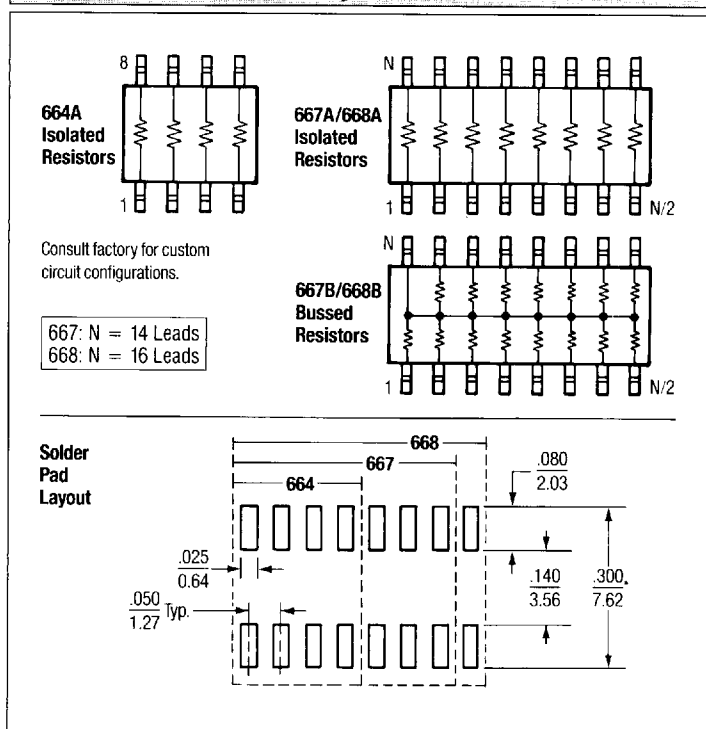


* Code A available for Model 664 only

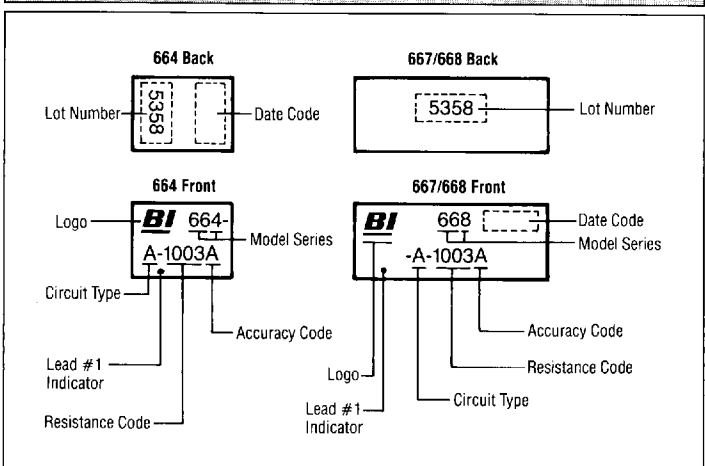
Outline Dimensions



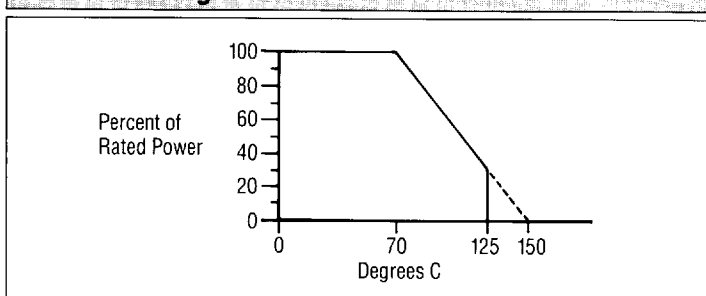
Schematics/Solder Pad Layout



Typical Part Marking



Power Derating Curve



Power (Watts) Dissipation at 70°C

Model	Package	Resistor
664	.4	.1
668	.5	.1

Packaging

Standard: Magazine
 All units oriented with lead #1 to the same side
 Magazine: Capacity = 100 (8 pin)
 = 50 (14 pin)
 = 50 (16 pin)

Option: Embossed Tape & Reel (per EIA 481)