

RJ-K LN SERIES *(524-724)...*

TO 524-785

- Exceeds TIA/EIA TSB40-A Category 5 requirements for 100 MHz.
- Delivers Category 5 performance for a wide range of RJ45 plugs.
- Cable management features deliver Category 5 performance in the field, not just the laboratory.
- Rigid, leadframe design (patented) gives repeatable NEXT (Near End Crosstalk) performance.
- NEXT performance offers potential for multiple connection applications.
- Screened and unscreened options.

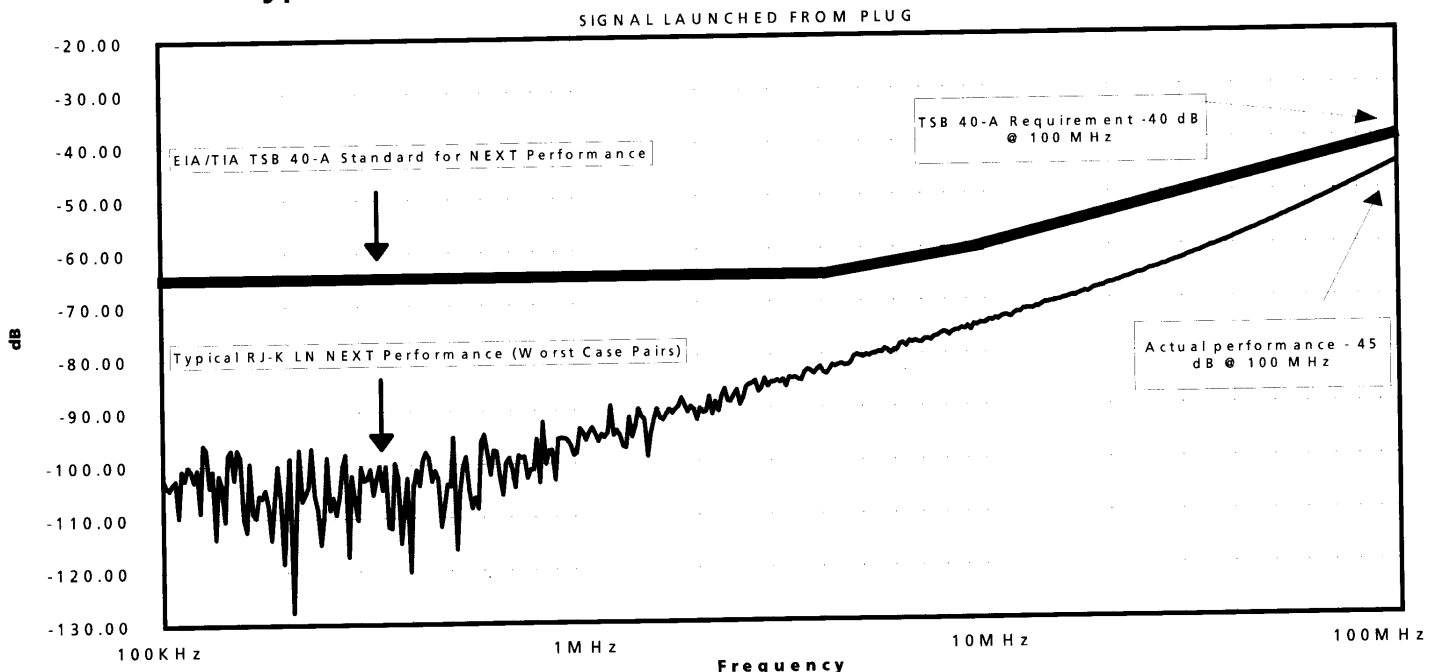
The RJ-K LN Series of RJ45 outlets, patch panels and patch cords offer all the advantages of the industry leading RJ-K Series, with transmission performance which far exceeds TIA/EIA TSB40-A Category 5 requirements (certifies compliance with ETL).

Transmission Performance*

NEXT Performance [-dB]			
Frequency [MHz]	ANSI/TIA/EIA Specification (TSB40-A)	Typical RJ-K LN Series - Worst Case Pairs	Typical RJ-K LN Series - Best Case Pairs
1	65	89	110
4	65	77	98
8	62	71	92
10	60	69	90
16	56	65	86
20	54	63	84
25	52	61	82
31.25	50	59	80
62.5	44	52	74
100	40	45	70

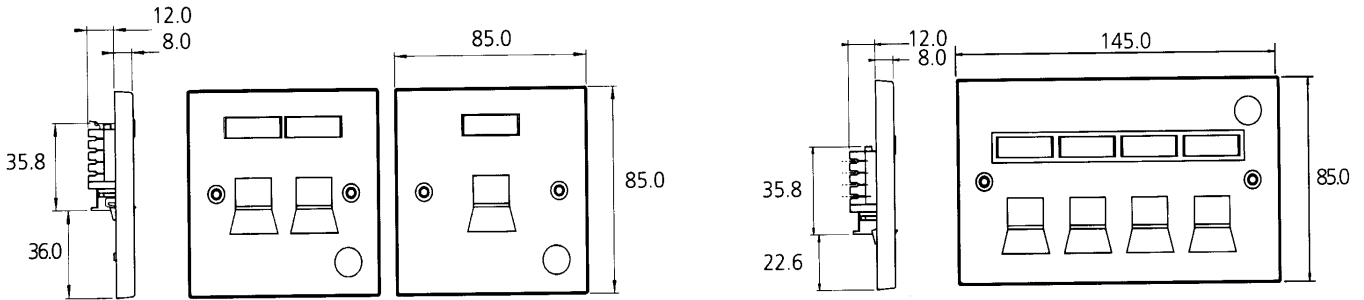
* Measured strictly in accordance with TIA/EIA TSB40-A Test Method (Swept Frequency)

RJ-K LN Series Typical NEXT Performance



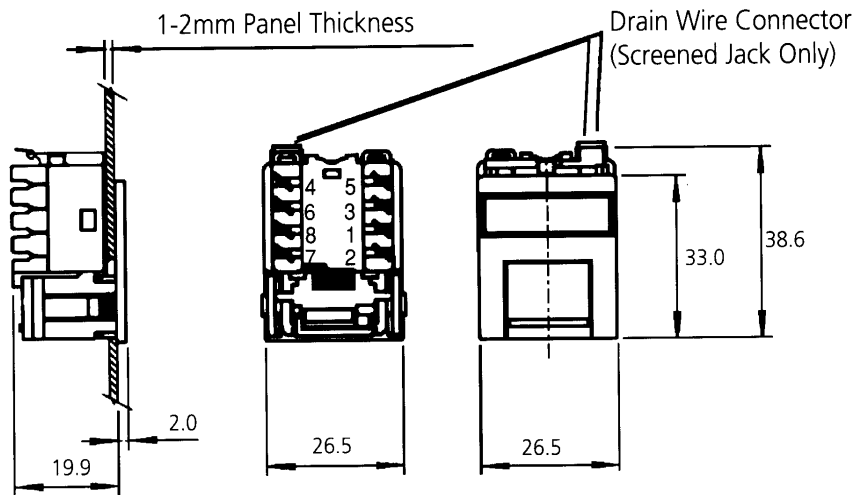
RJ-K LN Series Product Range (Screened or Unscreened)

RJ45 Single, Double and Quad Outlets



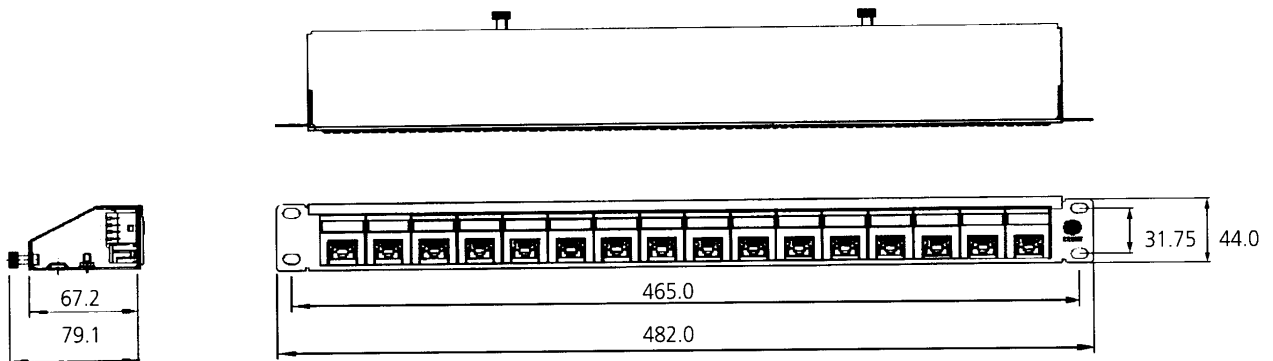
See ordering information for options available.

RJ45 Mounting Adaptor Module ("Push-Fit" Single Jack)

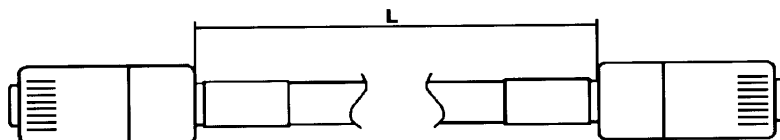


See ordering information for options available. Mounting adaptor aperture is 24.1 x 16.1mm.

RJ45 16 Port 1U Patch Panel



RJ45 Patch Cords



Selection of lengths available: L = 1.0m, 2.0m, 3.0m, 5.0m

Standards

The RJ-K LN Series jack used in all these products has been designed to the following standards:

ANSI/TIA/EIA 568 (and Revision Draft SP-2840A)
 TIA/EIA TSB40A Category 5 (100 MHz)
 OFTEL General Approval No 5
 FCC 68.500
 ISO 8877 (1987)

ENV 41001
 ISO/IEC DIS 11801 (draft)
 EN60 950/BS 7002
 BS EN 41003

KRONE patch cords have been designed to meet TIA/EIA TSB40-A Category 5 (100MHz).

Construction

Outlets:

Body: Polyester
 Colour: Grey 07/904
 Contacts: Brass with overplate
 i) IDC side: Silver Plated Brass
 ii) RJ45 side: Gold over Nickel Plated Brass
 Shutters: ABS (White or Black)
 Shutter Spring: Phosphor Bronze
 Faceplates: ABS
 Mounting Adaptor: ABS

Unscreened Patch Panels:

Casing: Aluminium
 Finish: Epoxy Powder Coated
 Colour: Black (RAL 9011)

Screened Patch Panels

Casing: Stainless Steel
 Finish: Brushed
 Socket Screen* Busbar: Tin Plated Phosphor Bronze
 Socket Screen^Y Insulator: PVC Strip with Adhesive Backing

* Part number: 6533/1/601/16
 Y Part number: 6533/1/600/16

Performance/Specifications

Attenuation [dB]	-0.12 @/up to 100MHz*
Return Loss [dB]	-21 @/up to 100 MHz*
DC Bulk Resistance [mW]	22*
NEXT (dB):	-45 dB @/up to 100 MHz*
No of Insertions:	Plug to Socket >750 Wire to IDC Contact >30 Wire to drainwire contact >100 (Screened Jack Only)

* Typical worst case values

Typical Applications

IEEE 802.5 Token Ring Access Method
 IEEE 802.3 CSMA/CD 10 Base-T (Ethernet)
 ANSI X3T9.5 (draft) TP-PMD (CDDI)

Ordering Information

Order only in multiples of ten:

	<u>Unscreened RJ45 Keyed</u>	<u>Unscreened RJ45 Unkeyed</u>	<u>Screened RJ45 Unkeyed</u>
White Shutters			
BS 4662 Single Faceplate	6538/1/111/13	6538/1/111/03	6538/1/111/53
BS 4662 Double Faceplate	6538/1/111/14	6538/1/111/04	6538/1/111/54
BS 4662 Quad Faceplate	6538/1/111/17	6538/1/111/07	6538/1/111/57
Mounting Adaptor Module ("Push-Fit" Jack)	6538/1/111/12	6538/1/111/02	6538/1/111/52
Black Shutters			
BS 4662 Single Faceplate	6538/1/112/13	6538/1/112/03	6538/1/112/53
BS 4662 Double Faceplate	6538/1/112/14	6538/1/112/04	6538/1/112/54
BS 4662 Quad Faceplate	6538/1/112/17	6538/1/112/07	6538/1/112/57
Mounting Adaptor Module ("Push-Fit" Jack)	6538/1/112/12	6538/1/112/02	6538/1/112/52
Pearl White Shutters (and Faceplate)			
European (DIN) Single Faceplate	6538/1/123/15	6538/1/123/05	6538/1/123/55
European (DIN) Double Faceplate	6538/1/123/16	6538/1/123/06	6538/1/123/56
Patch Cords*			
1.0m		6529/1/026/01	6529/1/027/01
2.0m		6529/1/026/03	6529/1/027/03
3.0m		6529/1/026/05	6529/1/027/05
5.0m		6529/1/026/06	6529/1/027/06
* Keyed patch cords available upon request			
Order in any quantity:			
Patch Panels			
16 Port 1U	6533/1/710/16	6533/1/700/16	
16 Port 1U Screened (Isolated Screen)			6533/1/600/16
16 Port 1U Screened (Common Screen)			6533/1/601/16
Accessories			
Mounting Adaptor Cutter (RS Components 545-367)	6536/3/100/00		
KRONE Insertion Tool (IW2A)	6417/1/810/02		
Patch Panel Outrigger (Pair)	6527/1/010/00		

KRONE (UK) TECHNIQUE LIMITED
 Runnings Road
 Kingsditch Trading Estate
 Cheltenham
 Gloucestershire GL51 9NQ
 Telephone (0242) 264400
 Fax (0242) 264488 or 264466
 (Sales)
 A subsidiary of KRONE AG,
 Berlin, Germany.
**For further information please
 contact our Hotline Number
 (0242) 264444**

KRONE (UK) TECHNIQUE LIMITED
 follows a policy of continuous
 improvement. Information in this

