



FEATURES AND SPECIFICATIONS

Features and Benefits

- Sizes 2 to 12 circuits
- High reliability rising clamp
- Captive screw
- 130°C Operating rating
- 60 and 40 Amp versions
- Posi-drive 4.0m screw for superior torque transmission to clamp

Electrical

Voltage: 300V
 Maximum Current: 60 Amp - 9705XX
 40 Amp - 9735XX
 Insulation Resistance: >5000 Gigaohms

Mechanical

Max. Tightening Torque: 18 in. lbs, 2.03 Nm
 Operating Temperature: 130°C
 Wire Strip Length: 7/16" or 8mm

Physical

Insulator: Polyimide UL94V-0, Black
 Screws: Bronze
 Screw Plating: Tin
 Pressure Clamp: Brass
 Pressure Clamp Plating: Nickel
 Contacts: Copper Alloy
 Contact Plating: Bright Tin Dip
 Wire Range: 6 to 18 AWG, 10 to .75mm² - 9705XX
 8 to 18 AWG, 6 to .75mm² - 9735XX

10.16 mm (.400") Pitch Beau Eurostyle® Fixed Blocks

39970 High Power

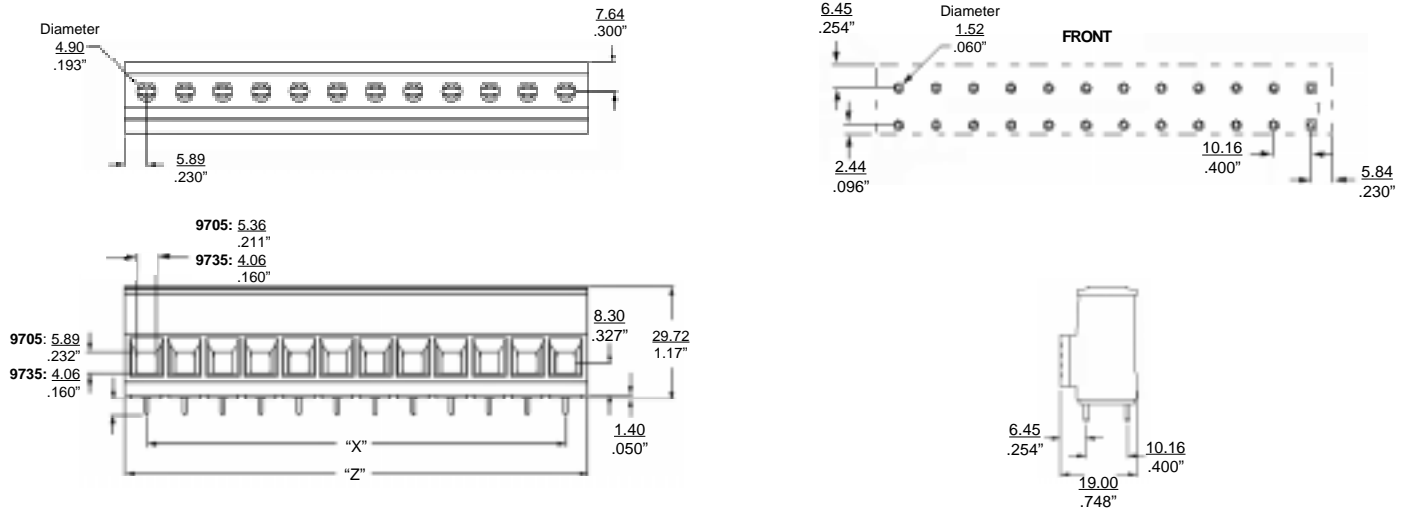


Reference Information

UL : File No. E48521
 Guide No. XCFR2
 CSA: File No. 025562

CATALOG DRAWING (FOR REFERENCE ONLY)

RECOMMENDED PTH PATTERN



ORDERING INFORMATION AND DIMENSIONS

Part Numbers*				# of Circuits	Dimensions			
60 Amp		40 Amp			A		B	
Order #	Engineering #	Order #	Engineering #	in	mm	in	mm	
39970-0102	970502	39970-0302	973502	2	.40	10.16	.86	21.84
39970-0103	970503	39970-0303	973503	3	.80	20.32	1.26	32.00
39970-0104	970504	39970-0304	973504	4	1.20	30.48	1.66	42.16
39970-0105	970505	39970-0305	973505	5	1.60	40.64	2.06	52.32
39970-0106	970506	39970-0306	973506	6	2.00	50.80	2.46	62.48
39970-0107	970507	39970-0307	973507	7	2.40	60.96	2.86	72.64
39970-0108	970508	39970-0308	973508	8	2.80	71.12	3.26	82.80
39970-0109	970509	39970-0309	973509	9	3.20	81.28	3.66	92.96
39970-0110	970510	39970-0310	973510	10	3.60	91.44	4.06	103.12
39970-0111	970511	39970-0311	973511	11	4.00	101.60	4.46	113.28
39970-0112	970512	39970-0312	973512	12	4.40	111.76	4.86	123.44