

PLEASE CHECK WWW.MOLEX.COM FOR LATEST PART INFORMATION

Part Number: [0395172006](#)
Status: **Active**
Description: 3.81mm (.150") Pitch Eurostyle™ Vertical Plug, with Retention Screws, Rear Wire Entry, 6 Circuits

Documents:

[3D Model](#) [Product Specification PS-39500-001 \(PDF\)](#)
[Drawing \(PDF\)](#) [RoHS Certificate of Compliance \(PDF\)](#)

General

Product Family	Terminal Blocks
Series	39517
Application	Wire-to-Board
Comments	Rear Wire Entry
Component Type	Plug
Product Literature Order No	USA-355
Product Name	ESE, Eurostyle™ Pluggable
Type	Euro Block

Physical

Circuits (Loaded)	6
Entry Angle	Horizontal
Lock to Mating Part	Yes
Number of Rows	1
Orientation	Vertical
Panel Mount	No
Pitch - Mating Interface (in)	0.150 In
Pitch - Mating Interface (mm)	3.81 mm
Polarized to Mating Part	Yes
Stackable	No
Temperature Range - Operating	-40°C to +105°C
Wire Size AWG	16, 18, 20, 22, 24, 26, 28, 30
Wire Size mm²	0.05 - 1.31

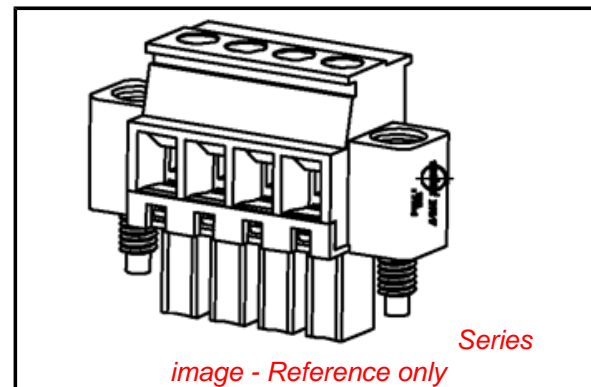
Electrical

Current - Maximum	8A
Voltage - Maximum	300V

Material Info

Reference - Drawing Numbers

Product Specification	PS-39500-001
Sales Drawing	SD-39517-002



EU RoHS

**ELV and RoHS
Compliant**
REACH SVHC
 Not Reviewed
**Halogen-Free
Status**

China RoHS



Not Reviewed

**Need more information on product
environmental compliance?**

Email productcompliance@molex.com
 For a multiple part number RoHS Certificate of Compliance, [click here](#)

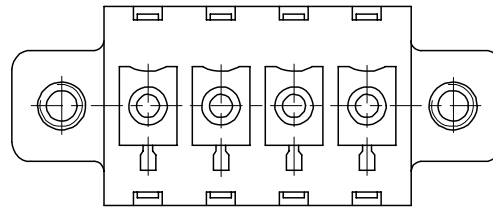
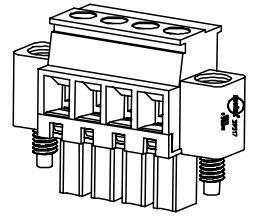
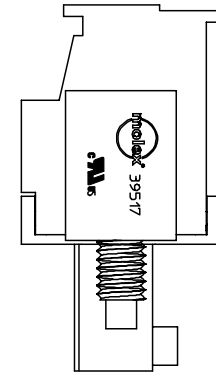
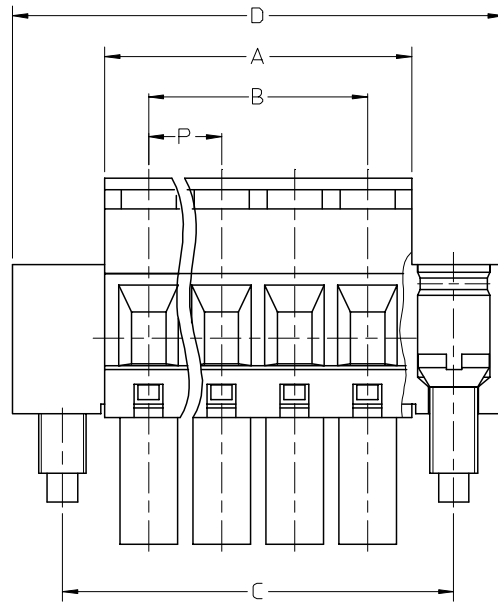
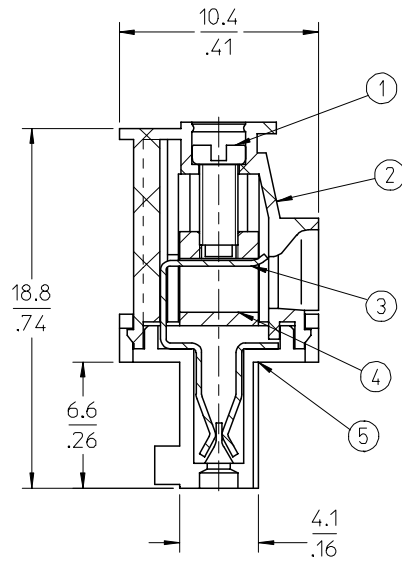
Please visit the [Contact Us](#) section for any non-product compliance questions.

Search Parts in this Series

[39517Series](#)

Mates With

Most 3.81mm (.150") Pitch Industry Standard PCB Headers, [39515](#) Vertical PCB Header with Threaded Retention Inserts, [39516](#) Horizontal PCB Header with Threaded Retention Inserts



SPECIFICATIONS:

1. Material:
 - (1). Screw: STEEL.
 - (2). Body: PA66
 - (3). Terminal: Brass
 - (4). Cage: Brass
 - (5). Cover: PA66
2. Wire range: 30 - 16AWG.
3. Electrical rating: 300V, 8A.
4. MAX TORQUE: 3 in-lbs.
5. Wire strip length: 5.00mm.
6. Operating temperature: -40C to +105C.
7. $A = (N \times P) = .79\text{mm}$.
8. $B = (N - 1) \times P$.
9. $C = B + 9.0\text{mm}$.
10. $D = A + 9.6\text{mm}$.
11. $P = (\text{Pitch}) = 3.81\text{mm} (.150")$
12. N = Number of positions available 2 through 20.
13. ASSEMBLY IS ROHS COMPLIANT.

EDIT TITLE EC NO: ETC2007-0459 DRWN: CLYORK 2007/06/21 CHKD: JMACNEIL 2007/06/22 APPR: JMACNEIL 2007/06/25	QUALITY SYMBOLS ▽=0 ▽=0	GENERAL TOLERANCES (UNLESS SPECIFIED)		DIMENSION STYLE MM/IN		SCALE 4:1	DESIGN UNITS INCH	THIRD ANGLE PROJECTION	
		4 PLACES ± --- ±.0015	3 PLACES ±0.038 ±.005	DRAWN BY LROTHAUS	DATE 2005/12/06	TITLE 3.81MM, EURO TERM BLOCK VERT, PLUG, REAR WIRE ENTRY, MOUNTING ENDS			
		2 PLACES ±0.13 ±.01	1 PLACE ±0.3 ± ---	CHECKED BY C. YORK	DATE 2006/01/06	MOLEX INCORPORATED			
		ANGULAR ± 2 °		APPROVED BY J. PAWLICKI	DATE 2006/01/10	DOCUMENT NO. SD-39517-002			
DRAFT WHERE APPLICABLE MUST REMAIN WITHIN DIMENSIONS		SEE SHT. 2		MATERIAL NO.		SHEET NO. 1 OF 2		THIS DRAWING CONTAINS INFORMATION THAT IS PROPRIETARY TO MOLEX INCORPORATED AND SHOULD NOT BE USED WITHOUT WRITTEN PERMISSION	

Circuit size	Material Numbers												Dimensional Information							
	Black						Green						Dim. A		Dim B		Dim C		Dim D	
	100% Tin			30 u" Gold			100% Tin			30 u" Gold			mm	inch	mm	inch	mm	inch	mm	inch
	Printing Options			Printing Options			Printing Options			Printing Options										
None	10AV	11AV	None	10AV	11AV	None	10AV	11AV	None	10AV	11AV	mm	inch	mm	inch	mm	inch	mm	inch	
2	395172002	395172302	395172402	395172502	395172802	395172902	395177002	395177302	395177402	395177502	395177802	395177902	8.41	0.331	3.81	0.150	12.81	0.504	18.01	0.709
3	395172003	395172303	395172403	395172503	395172803	395172903	395177003	395177303	395177403	395177503	395177803	395177903	12.22	0.481	7.62	0.300	16.62	0.654	21.82	0.859
4	395172004	395172304	395172404	395172504	395172804	395172904	395177004	395177304	395177404	395177504	395177804	395177904	16.03	0.631	11.43	0.450	20.43	0.804	25.63	1.009
5	395172005	395172305	395172405	395172505	395172805	395172905	395177005	395177305	395177405	395177505	395177805	395177905	19.84	0.781	15.24	0.600	24.24	0.954	29.44	1.159
6	395172006	395172306	395172406	395172506	395172806	395172906	395177006	395177306	395177406	395177506	395177806	395177906	23.65	0.931	19.05	0.750	28.05	1.104	33.25	1.309
7	395172007	395172307	395172407	395172507	395172807	395172907	395177007	395177307	395177407	395177507	395177807	395177907	27.46	1.081	22.86	0.900	31.86	1.254	37.06	1.459
8	395172008	395172308	395172408	395172508	395172808	395172908	395177008	395177308	395177408	395177508	395177808	395177908	31.27	1.231	26.67	1.050	35.67	1.404	40.87	1.609
9	395172009	395172309	395172409	395172509	395172809	395172909	395177009	395177309	395177409	395177509	395177809	395177909	35.08	1.381	30.48	1.200	39.48	1.554	44.68	1.759
10	395172010	395172310	395172410	395172510	395172810	395172910	395177010	395177310	395177410	395177510	395177810	395177910	38.89	1.531	34.29	1.350	43.29	1.704	48.49	1.909
11	395172011	395172311	395172411	395172511	395172811	395172911	395177011	395177311	395177411	395177511	395177811	395177911	42.70	1.681	38.10	1.500	47.10	1.854	52.30	2.059
12	395172012	395172312	395172412	395172512	395172812	395172912	395177012	395177312	395177412	395177512	395177812	395177912	46.51	1.831	41.91	1.650	50.91	2.004	56.11	2.209
13	395172013	395172313	395172413	395172513	395172813	395172913	395177013	395177313	395177413	395177513	395177813	395177913	50.32	1.981	45.72	1.800	54.72	2.154	59.92	2.359
14	395172014	395172314	395172414	395172514	395172814	395172914	395177014	395177314	395177414	395177514	395177814	395177914	54.13	2.131	49.53	1.950	58.53	2.304	63.73	2.509
15	395172015	395172315	395172415	395172515	395172815	395172915	395177015	395177315	395177415	395177515	395177815	395177915	57.94	2.281	53.34	2.100	62.34	2.454	67.54	2.659
16	395172016	395172316	395172416	395172516	395172816	395172916	395177016	395177316	395177416	395177516	395177816	395177916	61.75	2.431	57.15	2.250	66.15	2.604	71.35	2.809
17	395172017	395172317	395172417	395172517	395172817	395172917	395177017	395177317	395177417	395177517	395177817	395177917	65.56	2.581	60.96	2.400	69.96	2.754	75.16	2.959
18	395172018	395172318	395172418	395172518	395172818	395172918	395177018	395177318	395177418	395177518	395177818	395177918	69.37	2.731	64.77	2.550	73.77	2.904	78.97	3.109
19	395172019	395172319	395172419	395172519	395172819	395172919	395177019	395177319	395177419	395177519	395177819	395177919	73.18	2.881	68.58	2.700	77.58	3.054	82.78	3.259
20	395172020	395172320	395172420	395172520	395172820	395172920	395177020	395177320	395177420	395177520	395177820	395177920	76.99	3.031	72.39	2.850	81.39	3.204	86.59	3.409

SEE SHEET 1 EC NO: ETC2007-0459 DRWN: CLYORK 2007/06/21 CHKD: JMACNEIL 2007/06/22 APPR: JMACNEIL 2007/06/25	QUALITY SYMBOLS	GENERAL TOLERANCES (UNLESS SPECIFIED)	DIMENSION STYLE	SCALE	DESIGN UNITS	THIRD ANGLE PROJECTION
	$\nabla = 0$ $\nabla = 0$	mm INCH 4 PLACES ± --- ±.0015 3 PLACES ± 0.038 ±.005 2 PLACES ± 0.13 ±.01 1 PLACE ± 0.3 ± ---	MM/IN	4:1	INCH	TITLE 3.81MM, EURO TERM BLOCK VERT. PLUG, REAR WIRE ENTRY, MOUNTING ENDS
	DESCRIPTION	DRAFT WHERE APPLICABLE MUST REMAIN WITHIN DIMENSIONS	DRAWN BY DATE LROTHAUS 2005/12/06 CHECKED BY DATE C. YORK 2006/01/06 APPROVED BY DATE J. PAWLICKI 2006/01/10	MATERIAL NO. SEE CHART	DOCUMENT NO. SD-39517-002	SHEET NO. 2 OF 2
	REV	THIS DRAWING CONTAINS INFORMATION THAT IS PROPRIETARY TO MOLEX INCORPORATED AND SHOULD NOT BE USED WITHOUT WRITTEN PERMISSION				