

**PLEASE CHECK WWW.MOLEX.COM FOR LATEST PART INFORMATION**

**Part Number:** [0887328612](#)  
**Status:** **Active**  
**Overview:** [usb](#)  
**Description:** USB On-The-Go (OTG) Shielded I/O Cable Assembly, USB A-to-Mini B, USB 1.1, 1.0m (3.28' ) Length, Black

**Documents:**

[Drawing \(PDF\)](#)

[RoHS Certificate of Compliance \(PDF\)](#)

**General**

|                        |                       |
|------------------------|-----------------------|
| Product Family         | Cable Assemblies      |
| Series                 | <a href="#">88740</a> |
| Connector to Connector | USB Type A-to-Mini-B  |
| Overview               | <a href="#">usb</a>   |
| Product Name           | USB                   |

**Physical**

|                                |                    |
|--------------------------------|--------------------|
| Cable Length                   | 1.0m (3.28' )      |
| Circuits (Loaded)              | 5                  |
| Color - Resin                  | Black              |
| Gender                         | Male-Male          |
| Lock to Mating Part            | Yes                |
| Material - Plating Mating      | Gold               |
| Material - Plating Termination | Tin                |
| Material - Resin               | Polyester          |
| Packaging Type                 | Bag                |
| Pitch - Mating Interface (in)  | 0.031 In, 0.098 In |
| Pitch - Mating Interface (mm)  | 0.80 mm, 2.50 mm   |
| Plating min: Mating (µin)      | 30                 |
| Plating min: Mating (µm)       | 0.75               |
| Plating min: Termination (µin) | 160                |
| Plating min: Termination (µm)  | 4                  |
| Single Ended                   | No                 |
| Termination Interface: Style   | Through Hole       |
| Wire Insulation Diameter       | N/A                |
| Wire Size AWG                  | 28                 |
| Wire/Cable Type                | Round              |

**Electrical**

|                               |     |
|-------------------------------|-----|
| Current - Maximum per Contact | 1A  |
| Shielded                      | Yes |
| Voltage - Maximum             | 30V |

**Material Info**

**Reference - Drawing Numbers**

|               |              |
|---------------|--------------|
| Sales Drawing | SD-887328512 |
|---------------|--------------|

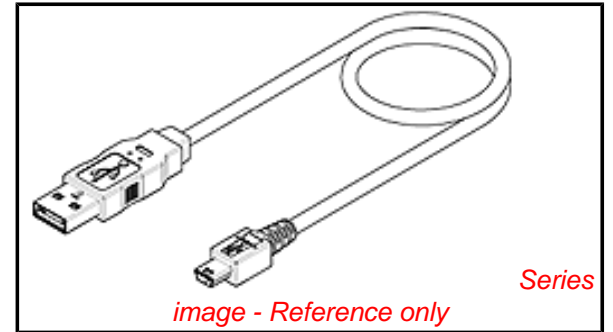


image - Reference only

**EU RoHS**

**ELV and RoHS  
Compliant**

**REACH SVHC**

Not Reviewed

**Halogen-Free**

**Status**

**Not Reviewed**

**China RoHS**



**Need more information on product  
environmental compliance?**

Email [productcompliance@molex.com](mailto:productcompliance@molex.com)

For a multiple part number RoHS Certificate of Compliance, [click here](#)

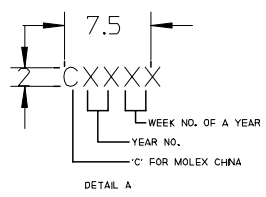
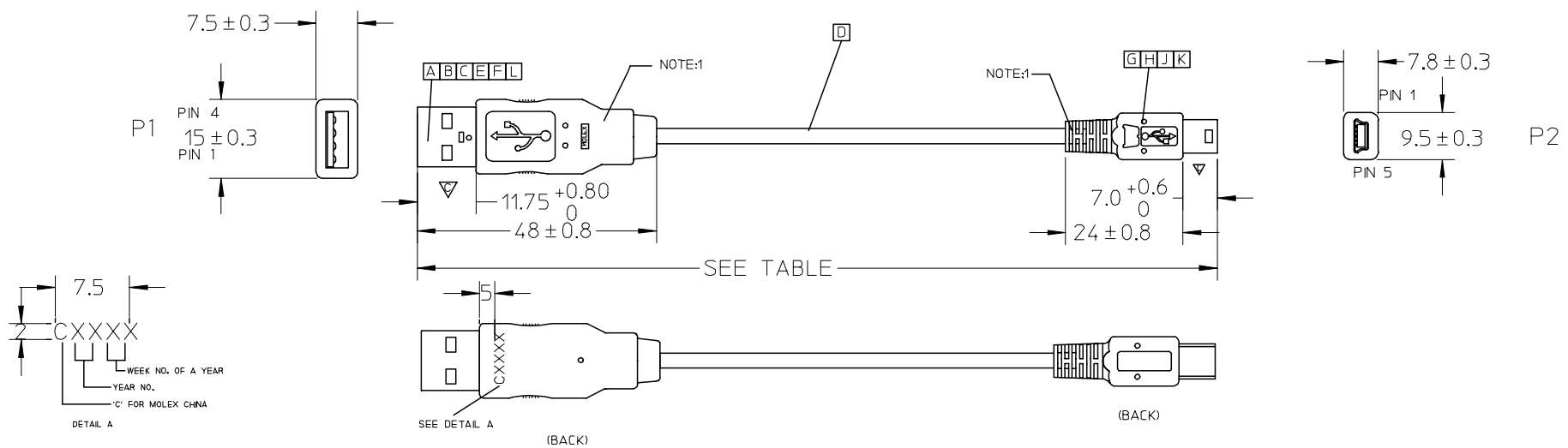
Please visit the [Contact Us](#) section for any non-product compliance questions.

**Search Parts in this Series**

[88740Series](#)

**Mates With**

USB On-The-Go (OTG) Mini-B Receptacle [54819](#) , [48242](#) , [500075](#) , [67503](#). Universal Serial Bus Shielded Receptacle Type A [67329](#) [67226](#) , [67230](#) , [89485](#). [54366](#) Universal Serial Bus Shielded I/O Receptacle



| SHELL | SHELL | SHIELDING   | BRAID WIRE |
|-------|-------|-------------|------------|
| 4     | 5     | GROUND      | BLACK      |
| 3     | 3     | +DATA       | GREEN      |
| 2     | 2     | -DATA       | WHITE      |
| 1     | 1     | VCC         | RED        |
| P 1   | P 2   | SIGNAL NAME | WIRE COLOR |

|      |  |   |      |
|------|--|---|------|
| L    | COPPER FOIL 887801083                        |   | 1    |
| K    | COPPER FOIL 887801114                        |   | 1    |
| J    | USB SERIES MINI-B PLG COVER SHIELD 675460000 |   | 1    |
| H    | USB SERIES MINI-B PLG SHIELD CASE 675450000  |   | 1    |
| G    | MINI-B PLG HSG&TERMINAL SUB-ASS'Y 675420008  |   | 1    |
| F    | TERMINAL (AWG24) (SEE TABLE)                 |   | 2    |
| E    | TERMINAL (AWG28) (SEE TABLE)                 |   | 2    |
| D    | USB2.0 #28/#24 ; CABLE(SEE TABLE)            |   |      |
| C    | REAR SHELL 887809084                         |   | 1    |
| B    | FRONT SHELL 887809083                        |   | 1    |
| A    | CRMP HOUSING 887809086                       |   | 1    |
| ITEM | DESCRIPTION                                  | L | QTY. |

|  |  |                               |  |      |                             |   |                     |                                     |                        |  |  |
|--|--|-------------------------------|--|------|-----------------------------|---|---------------------|-------------------------------------|------------------------|--|--|
| ENTER DESCRIPTION<br>EC NO: DG2006-0150<br>DRWN: JFZHENG<br>CHKD:<br>APPR: DOLUO | 2006/01/09<br>2006/01/09<br>2006/01/16 | QUALITY SYMBOLS<br>▽=0<br>▽=2 | GENERAL TOLERANCES (UNLESS SPECIFIED)                |      | DIMENSION STYLE<br>MM ONLY  |   | SCALE<br>---        | DESIGN UNITS<br>METRIC              | THIRD ANGLE PROJECTION |  |  |
|  |  |                               |  | mm   | INCH                        | DRAWN BY<br>JFZHENG   | DATE<br>2006/01/07  | TITLE<br>USB-A TO MINI-B 2.0M ASS'Y |                        |  |  |
|  |  |                               | 4 PLACES   | ±--- | ±---                        | CHECKED BY<br>JFZHENG   | DATE<br>2006/01/07  | MOLEX MOLEX INCORPORATED            |                        |  |  |
|  |  |                               | 3 PLACES   | ±--- | ±---                        | APPROVED BY<br>JFZHENG  | DATE<br>2006/01/07  |                                     |                        |  |  |
| 2 PLACES   | ±---                                   | ±---                          | ANGULAR ±---°  |      | MATERIAL NO.<br>887-328x-0x | DOCUMENT NO.<br>SD-887328702  | SHEET NO.<br>1 OF 2 |                                     |                        |  |  |
| 1 PLACE  | ±---                                   | ±---                          | DRAFT WHERE APPLICABLE MUST REMAIN WITHIN DIMENSIONS |      | SIZE<br>A4                  | THIS DRAWING CONTAINS INFORMATION THAT IS PROPRIETARY TO MOLEX INCORPORATED AND SHOULD NOT BE USED WITHOUT WRITTEN PERMISSION |                     |                                     |                        |  |  |

NOTE:

1. MOLDED PVC RESIN.CABLE.P/N & COLOR AS TABLE

|             |           |           |             |
|-------------|-----------|-----------|-------------|
| WHITE       | 887800043 | 887808233 | WHITE       |
| BEIGE       | 887800059 | 887808244 | BEIGE       |
| BLACK       | 887800019 | 887808563 | BLACK       |
| BLACK       | 887800019 | 887808236 | BLACK       |
| BLACK       | 887800019 | 887808248 | BLACK       |
| FROST WITHE | 887800043 | 887808243 | FROST WITHE |
| RESIN COLOR | RESIN P/N | CABLE P/N | CABLE COLOR |

2. STICK UL LABEL ON EACH CARTON.

▽ELECTRICAL PERFORMANCE:

ALL TEST DUABILITY:0.01 SEC.

1. DIELECTRONIC STRENGTH:500V DC

2. INSULATION RESISTANCE:100M OHMS MIN.

3. CONDUCTIVE RESISTANCE: 3 OHMS MAX.

3. PUT COC AND INSPECTION REPORT IN EVERY CARTON ( ONLY APPLY FOR 887328705)

4.ALL COMPONENTS MUST MEET RoHS COMPLIANCE

TABLE

|            |              |                         |            |             |             |
|------------|--------------|-------------------------|------------|-------------|-------------|
| 88732-8902 | 2000±30      | USB_A TO MINI_B 2.0 VER | 88780-8248 | 88780-9091  | 88780-9090  |
| 88732-8802 | 1800±30      | USB_A TO MINI_B 2.0 VER | 88780-8248 | 88780-9091  | 88780-9090  |
| 88732-8702 | 1500±30      | USB_A TO MINI_B 2.0 VER | 88780-8248 | 88780-9091  | 88780-9090  |
| 88732-8602 | 1000±30      | USB_A TO MINI_B 2.0 VER | 88780-8248 | 88794-1218  | 88794-1217  |
| 88732-8502 | 800±30       | USB_A TO MINI_B 2.0 VER | 88780-8235 | 88794-1218  | 88794-1217  |
| 88732-8900 | 2000±30      | USB_A TO MINI_B 2.0 VER | 88780-8243 | 88780-9091  | 88780-9090  |
| 88732-8800 | 1800±30      | USB_A TO MINI_B 2.0 VER | 88780-8243 | 88780-9091  | 88780-9090  |
| 88732-8700 | 1500±30      | USB_A TO MINI_B 2.0 VER | 88780-8243 | 88780-9091  | 88780-9090  |
| 88732-8600 | 1000±30      | USB_A TO MINI_B 2.0 VER | 88780-8243 | 88794-1218  | 88794-1217  |
| 88732-8500 | 800±30       | USB_A TO MINI_B 2.0 VER | 88780-8233 | 88794-1218  | 88794-1217  |
| 88732-8401 | 1200±30      | USB_A TO MINI_B 2.0 VER | 88780-8244 | 88780-9091  | 88780-9090  |
| MX P/N     | CABLE LENGTH | DESCRIPTION             | CABLE P/N  | TERM. E P/N | TERM. F P/N |

|  |  |                    |                               |                                       |      |                            |                        |                    |                                     |                        |                              |                     |
|--|--|--------------------|-------------------------------|---------------------------------------|------|----------------------------|------------------------|--------------------|-------------------------------------|------------------------|------------------------------|---------------------|
| ENTER DESCRIPTION<br>EC NO: DG2006-0150<br>DRWN: JFZHENG<br>CHKD:<br>APPR: DDLUO | 2006/01/09<br>2006/01/09<br>2006/01/16 | DESCRIPTION<br>REV | QUALITY SYMBOLS<br>▽=0<br>▽=2 | GENERAL TOLERANCES (UNLESS SPECIFIED) |      | DIMENSION STYLE<br>MM ONLY |                        | SCALE<br>---       | DESIGN UNITS<br>METRIC              | THIRD ANGLE PROJECTION |                              |                     |
|  |  |                    |                               |                                       | mm   | INCH                       | DRAWN BY<br>JFZHENG    | DATE<br>2006/01/07 | TITLE<br>USB-A TO MINI-B 2.0M ASS'Y |                        |                              |                     |
|  |  |                    |                               | 4 PLACES                              | ±--- | ±---                       | CHECKED BY<br>JFZHENG  | DATE<br>2006/01/07 |                                     |                        |                              |                     |
|  |  |                    |                               | 3 PLACES                              | ±--- | ±---                       | APPROVED BY<br>JFZHENG | DATE<br>2006/01/07 | MATERIAL NO.<br>887-328x-0x         |                        | DOCUMENT NO.<br>SD-887328702 | SHEET NO.<br>2 OF 2 |

DRAFT WHERE APPLICABLE MUST REMAIN WITHIN DIMENSIONS

THIS DRAWING CONTAINS INFORMATION THAT IS PROPRIETARY TO MOLEX INCORPORATED AND SHOULD NOT BE USED WITHOUT WRITTEN PERMISSION