



### ■ Absolute Maximum Ratings

Parameter	Symbol	Range	Unit
Supply voltage *2	$V_{CC}$	35	V
Supply current *3	$I_{CC}$	—	mA
Power dissipation *4	$P_D$	—	mW
Operating ambient temperature *1	$T_{opr}$	-30 to +85	°C
Storage temperature *1	$T_{stg}$	-55 to +150	°C

Note) 1. \*1: Except for the operating ambient temperature and storage temperature, all ratings are for  $T_a = 25^\circ\text{C}$ .

\*2: When  $V_{CC}$  of 35 V is applied, the overvoltage protection of ASO protection circuit may shut off the output.

\*3: Since this IC has incorporated a current limiter, the current value does not exceed the rating.

\*4: When  $T_j$  exceeds  $150^\circ\text{C}$  (designed value), the internal circuit cuts off the output. Note that the relationship between IC power dissipation and the ambient temperature must follow the derating curve.

2. This IC is not suitable for car electronics equipment.

### ■ Electrical Characteristics at $T_a = 25^\circ\text{C}$

#### • AN78M05NSP (5 V type)

The specified condition  $T_j = 25^\circ\text{C}$  means that the test should be carried out within so short a test time (within 10 ms) that the characteristic value drift due to the chip junction temperature rise can be ignored.

Unless otherwise specified,  $V_I = 10\text{ V}$ ,  $I_O = 350\text{ mA}$ ,  $C_I = 0.33\text{ }\mu\text{F}$  and  $C_O = 0.1\text{ }\mu\text{F}$

Parameter	Symbol	Conditions	Min	Typ	Max	Unit
Output voltage	$V_{O1}$	$T_j = 25^\circ\text{C}$	4.8	5	5.2	V
Output voltage tolerance	$V_{O2}$	$V_I = 7.5\text{ V to }20\text{ V}$ , $I_O = 5\text{ mA to }350\text{ mA}$ $T_j = 25^\circ\text{C}$	4.75	—	5.25	V
Line regulation 1	$REG_{IN1}$	$V_I = 7.5\text{ V to }25\text{ V}$ , $T_j = 25^\circ\text{C}$	—	3	100	mV
Line regulation 2	$REG_{IN2}$	$V_I = 8\text{ V to }25\text{ V}$ , $T_j = 25^\circ\text{C}$	—	1	50	mV
Load regulation 1	$REG_{L1}$	$I_O = 5\text{ mA to }500\text{ mA}$ , $T_j = 25^\circ\text{C}$	—	20	100	mV
Load regulation 2	$REG_{L2}$	$I_O = 5\text{ mA to }200\text{ mA}$ , $T_j = 25^\circ\text{C}$	—	10	50	mV
Bias current	$I_{Bias}$	$T_j = 25^\circ\text{C}$	—	4	6	mA
Bias current fluctuation to input	$\Delta I_{Bias(IN)}$	$V_I = 8\text{ V to }25\text{ V}$ , $T_j = 25^\circ\text{C}$	—	—	0.8	mA
Bias current fluctuation to load	$\Delta I_{Bias(L)}$	$I_O = 5\text{ mA to }350\text{ mA}$ , $T_j = 25^\circ\text{C}$	—	—	0.5	mA
Ripple rejection ratio	RR	$V_I = 8\text{ V to }18\text{ V}$ , $I_O = 100\text{ mA}$ , $f = 120\text{ Hz}$	62	—	—	dB

#### • Design reference data

Note) The characteristics listed below are theoretical values based on the IC design and are not guaranteed.

Parameter	Symbol	Conditions	Min	Typ	Max	Unit
Output noise voltage	$V_{NO}$	$f = 10\text{ Hz to }100\text{ kHz}$	—	40	—	$\mu\text{V}$
Minimum input/output voltage difference	$V_{DIF(min)}$	$I_O = 500\text{ mA}$ , $T_j = 25^\circ\text{C}$	—	2	—	V
Output short-circuit current	$I_{O(Short)}$	$V_I = 35\text{ V}$ , $T_j = 25^\circ\text{C}$	—	300	—	mA
Peak output current	$I_{O(Peak)}$	$T_j = 25^\circ\text{C}$	—	1000	—	mA
Output voltage temperature coefficient	$\Delta V_O / T_a$	$I_O = 5\text{ mA}$ , $T_j = 0^\circ\text{C to }125^\circ\text{C}$	—	-0.5	—	$\text{mV}/^\circ\text{C}$
Thermal protection operating temperature	$T_{j(TH)}$	$I_O = 5\text{ mA}$	—	150	—	°C

### ■ Electrical Characteristics at $T_a = 25^\circ\text{C}$ (continued)

#### • AN78M06NSP (6 V type)

The specified condition  $T_j = 25^\circ\text{C}$  means that the test should be carried out within so short a test time (within 10 ms) that the characteristic value drift due to the chip junction temperature rise can be ignored.

Unless otherwise specified,  $V_I = 11\text{ V}$ ,  $I_O = 350\text{ mA}$ ,  $C_I = 0.33\text{ }\mu\text{F}$  and  $C_O = 0.1\text{ }\mu\text{F}$

Parameter	Symbol	Conditions	Min	Typ	Max	Unit
Output voltage	$V_{O1}$	$T_j = 25^\circ\text{C}$	5.75	6	6.25	V
Output voltage tolerance	$V_{O2}$	$V_I = 8.5\text{ V to }21\text{ V}$ , $I_O = 5\text{ mA to }350\text{ mA}$ $T_j = 25^\circ\text{C}$	5.7	—	6.3	V
Line regulation 1	$REG_{IN1}$	$V_I = 8.5\text{ V to }25\text{ V}$ , $T_j = 25^\circ\text{C}$	—	5	100	mV
Line regulation 2	$REG_{IN2}$	$V_I = 9\text{ V to }25\text{ V}$ , $T_j = 25^\circ\text{C}$	—	1.5	50	mV
Load regulation 1	$REG_{L1}$	$I_O = 5\text{ mA to }500\text{ mA}$ , $T_j = 25^\circ\text{C}$	—	20	120	mV
Load regulation 2	$REG_{L2}$	$I_O = 5\text{ mA to }200\text{ mA}$ , $T_j = 25^\circ\text{C}$	—	10	60	mV
Bias current	$I_{Bias}$	$T_j = 25^\circ\text{C}$	—	4	6	mA
Bias current fluctuation to input	$\Delta I_{Bias(IN)}$	$V_I = 9\text{ V to }25\text{ V}$ , $T_j = 25^\circ\text{C}$	—	—	0.8	mA
Bias current fluctuation to load	$\Delta I_{Bias(L)}$	$I_O = 5\text{ mA to }350\text{ mA}$ , $T_j = 25^\circ\text{C}$	—	—	0.5	mA
Ripple rejection ratio	RR	$V_I = 9\text{ V to }19\text{ V}$ , $I_O = 100\text{ mA}$ , $f = 120\text{ Hz}$	59	—	—	dB

#### • Design reference data

Note) The characteristics listed below are theoretical values based on the IC design and are not guaranteed.

Parameter	Symbol	Conditions	Min	Typ	Max	Unit
Output noise voltage	$V_{NO}$	$f = 10\text{ Hz to }100\text{ kHz}$	—	45	—	$\mu\text{V}$
Minimum input/output voltage difference	$V_{DIF(min)}$	$I_O = 500\text{ mA}$ , $T_j = 25^\circ\text{C}$	—	2	—	V
Output short-circuit current	$I_{O(Short)}$	$V_I = 35\text{ V}$ , $T_j = 25^\circ\text{C}$	—	300	—	mA
Peak output current	$I_{O(Peak)}$	$T_j = 25^\circ\text{C}$	—	1000	—	mA
Output voltage temperature coefficient	$\Delta V_O / T_a$	$I_O = 5\text{ mA}$ , $T_j = 0^\circ\text{C to }125^\circ\text{C}$	—	-0.5	—	$\text{mV}/^\circ\text{C}$
Thermal protection operating temperature	$T_{j(TH)}$	$I_O = 5\text{ mA}$	—	150	—	$^\circ\text{C}$

### ■ Electrical Characteristics at $T_a = 25^\circ\text{C}$ (continued)

#### • AN78M07NSP (7 V type)

The specified condition  $T_j = 25^\circ\text{C}$  means that the test should be carried out within so short a test time (within 10 ms) that the characteristic value drift due to the chip junction temperature rise can be ignored.

Unless otherwise specified,  $V_I = 12\text{ V}$ ,  $I_O = 350\text{ mA}$ ,  $C_I = 0.33\text{ }\mu\text{F}$  and  $C_O = 0.1\text{ }\mu\text{F}$

Parameter	Symbol	Conditions	Min	Typ	Max	Unit
Output voltage	$V_{O1}$	$T_j = 25^\circ\text{C}$	6.7	7	7.3	V
Output voltage tolerance	$V_{O2}$	$V_I = 9.5\text{ V to }22\text{ V}$ , $I_O = 5\text{ mA to }350\text{ mA}$ $T_j = 25^\circ\text{C}$	6.65	—	7.35	V
Line regulation 1	$\text{REG}_{\text{IN1}}$	$V_I = 9.5\text{ V to }25\text{ V}$ , $T_j = 25^\circ\text{C}$	—	6	100	mV
Line regulation 2	$\text{REG}_{\text{IN2}}$	$V_I = 10\text{ V to }25\text{ V}$ , $T_j = 25^\circ\text{C}$	—	2	50	mV
Load regulation 1	$\text{REG}_{\text{L1}}$	$I_O = 5\text{ mA to }500\text{ mA}$ , $T_j = 25^\circ\text{C}$	—	20	140	mV
Load regulation 2	$\text{REG}_{\text{L2}}$	$I_O = 5\text{ mA to }200\text{ mA}$ , $T_j = 25^\circ\text{C}$	—	10	70	mV
Bias current	$I_{\text{Bias}}$	$T_j = 25^\circ\text{C}$	—	4	6	mA
Bias current fluctuation to input	$\Delta I_{\text{Bias(IN)}}$	$V_I = 10\text{ V to }25\text{ V}$ , $T_j = 25^\circ\text{C}$	—	—	0.8	mA
Bias current fluctuation to load	$\Delta I_{\text{Bias(L)}}$	$I_O = 5\text{ mA to }350\text{ mA}$ , $T_j = 25^\circ\text{C}$	—	—	0.5	mA
Ripple rejection ratio	RR	$V_I = 10\text{ V to }20\text{ V}$ , $I_O = 100\text{ mA}$ , $f = 120\text{ Hz}$	57	—	—	dB

#### • Design reference data

Note) The characteristics listed below are theoretical values based on the IC design and are not guaranteed.

Parameter	Symbol	Conditions	Min	Typ	Max	Unit
Output noise voltage	$V_{\text{NO}}$	$f = 10\text{ Hz to }100\text{ kHz}$	—	48	—	$\mu\text{V}$
Minimum input/output voltage difference	$V_{\text{DIF(min)}}$	$I_O = 500\text{ mA}$ , $T_j = 25^\circ\text{C}$	—	2	—	V
Output short-circuit current	$I_{\text{O(Short)}}$	$V_I = 35\text{ V}$ , $T_j = 25^\circ\text{C}$	—	300	—	mA
Peak output current	$I_{\text{O(Peak)}}$	$T_j = 25^\circ\text{C}$	—	1000	—	mA
Output voltage temperature coefficient	$\Delta V_O / T_a$	$I_O = 5\text{ mA}$ , $T_j = 0^\circ\text{C to }125^\circ\text{C}$	—	-0.5	—	$\text{mV}/^\circ\text{C}$
Thermal protection operating temperature	$T_{\text{j(TH)}}$	$I_O = 5\text{ mA}$	—	150	—	$^\circ\text{C}$

### ■ Electrical Characteristics at $T_a = 25^\circ\text{C}$ (continued)

#### • AN78M08NSP (8 V type)

The specified condition  $T_j = 25^\circ\text{C}$  means that the test should be carried out within so short a test time (within 10 ms) that the characteristic value drift due to the chip junction temperature rise can be ignored.

Unless otherwise specified,  $V_I = 14\text{ V}$ ,  $I_O = 350\text{ mA}$ ,  $C_I = 0.33\text{ }\mu\text{F}$  and  $C_O = 0.1\text{ }\mu\text{F}$

Parameter	Symbol	Conditions	Min	Typ	Max	Unit
Output voltage	$V_{O1}$	$T_j = 25^\circ\text{C}$	7.7	8	8.3	V
Output voltage tolerance	$V_{O2}$	$V_I = 10.5\text{ V to }22\text{ V}$ , $I_O = 5\text{ mA to }350\text{ mA}$ $T_j = 25^\circ\text{C}$	7.6	—	8.4	V
Line regulation 1	$\text{REG}_{\text{IN1}}$	$V_I = 10.5\text{ V to }25\text{ V}$ , $T_j = 25^\circ\text{C}$	—	6	100	mV
Line regulation 2	$\text{REG}_{\text{IN2}}$	$V_I = 11\text{ V to }25\text{ V}$ , $T_j = 25^\circ\text{C}$	—	2	50	mV
Load regulation 1	$\text{REG}_{\text{L1}}$	$I_O = 5\text{ mA to }500\text{ mA}$ , $T_j = 25^\circ\text{C}$	—	25	160	mV
Load regulation 2	$\text{REG}_{\text{L2}}$	$I_O = 5\text{ mA to }200\text{ mA}$ , $T_j = 25^\circ\text{C}$	—	10	80	mV
Bias current	$I_{\text{Bias}}$	$T_j = 25^\circ\text{C}$	—	4.1	6	mA
Bias current fluctuation to input	$\Delta I_{\text{Bias(IN)}}$	$V_I = 10.5\text{ V to }25\text{ V}$ , $T_j = 25^\circ\text{C}$	—	—	0.8	mA
Bias current fluctuation to load	$\Delta I_{\text{Bias(L)}}$	$I_O = 5\text{ mA to }350\text{ mA}$ , $T_j = 25^\circ\text{C}$	—	—	0.5	mA
Ripple rejection ratio	RR	$V_I = 11.5\text{ V to }21.5\text{ V}$ , $I_O = 100\text{ mA}$ , $f = 120\text{ Hz}$	56	—	—	dB

#### • Design reference data

Note) The characteristics listed below are theoretical values based on the IC design and are not guaranteed.

Parameter	Symbol	Conditions	Min	Typ	Max	Unit
Output noise voltage	$V_{\text{NO}}$	$f = 10\text{ Hz to }100\text{ kHz}$	—	48	—	$\mu\text{V}$
Minimum input/output voltage difference	$V_{\text{DIF(min)}}$	$I_O = 500\text{ mA}$ , $T_j = 25^\circ\text{C}$	—	2	—	V
Output short-circuit current	$I_{\text{O(Short)}}$	$V_I = 35\text{ V}$ , $T_j = 25^\circ\text{C}$	—	300	—	mA
Peak output current	$I_{\text{O(Peak)}}$	$T_j = 25^\circ\text{C}$	—	1000	—	mA
Output voltage temperature coefficient	$\Delta V_O / T_a$	$I_O = 5\text{ mA}$ , $T_j = 0^\circ\text{C to }125^\circ\text{C}$	—	-0.5	—	$\text{mV}/^\circ\text{C}$
Thermal protection operating temperature	$T_{\text{j(TH)}}$	$I_O = 5\text{ mA}$	—	150	—	$^\circ\text{C}$

### ■ Electrical Characteristics at $T_a = 25^\circ\text{C}$ (continued)

#### • AN78M09NSP (9 V type)

The specified condition  $T_j = 25^\circ\text{C}$  means that the test should be carried out within so short a test time (within 10 ms) that the characteristic value drift due to the chip junction temperature rise can be ignored.

Unless otherwise specified,  $V_I = 15\text{ V}$ ,  $I_O = 350\text{ mA}$ ,  $C_I = 0.33\text{ }\mu\text{F}$  and  $C_O = 0.1\text{ }\mu\text{F}$

Parameter	Symbol	Conditions	Min	Typ	Max	Unit
Output voltage	$V_{O1}$	$T_j = 25^\circ\text{C}$	8.65	9	9.35	V
Output voltage tolerance	$V_{O2}$	$V_I = 11.5\text{ V to }24\text{ V}$ , $I_O = 5\text{ mA to }350\text{ mA}$ $T_j = 25^\circ\text{C}$	8.55	—	9.45	V
Line regulation 1	$REG_{IN1}$	$V_I = 11.5\text{ V to }25\text{ V}$ , $T_j = 25^\circ\text{C}$	—	7	100	mV
Line regulation 2	$REG_{IN2}$	$V_I = 12\text{ V to }25\text{ V}$ , $T_j = 25^\circ\text{C}$	—	2	50	mV
Load regulation 1	$REG_{L1}$	$I_O = 5\text{ mA to }500\text{ mA}$ , $T_j = 25^\circ\text{C}$	—	25	180	mV
Load regulation 2	$REG_{L2}$	$I_O = 5\text{ mA to }200\text{ mA}$ , $T_j = 25^\circ\text{C}$	—	10	90	mV
Bias current	$I_{Bias}$	$T_j = 25^\circ\text{C}$	—	4.1	6	mA
Bias current fluctuation to input	$\Delta I_{Bias(IN)}$	$V_I = 12\text{ V to }25\text{ V}$ , $T_j = 25^\circ\text{C}$	—	—	0.8	mA
Bias current fluctuation to load	$\Delta I_{Bias(L)}$	$I_O = 5\text{ mA to }350\text{ mA}$ , $T_j = 25^\circ\text{C}$	—	—	0.5	mA
Ripple rejection ratio	RR	$V_I = 12\text{ V to }22\text{ V}$ , $I_O = 100\text{ mA}$ , $f = 120\text{ Hz}$	56	—	—	dB

#### • Design reference data

Note) The characteristics listed below are theoretical values based on the IC design and are not guaranteed.

Parameter	Symbol	Conditions	Min	Typ	Max	Unit
Output noise voltage	$V_{NO}$	$f = 10\text{ Hz to }100\text{ kHz}$	—	60	—	$\mu\text{V}$
Minimum input/output voltage difference	$V_{DIF(min)}$	$I_O = 500\text{ mA}$ , $T_j = 25^\circ\text{C}$	—	2	—	V
output short-circuit current	$I_{O(Short)}$	$V_I = 35\text{ V}$ , $T_j = 25^\circ\text{C}$	—	300	—	mA
Peak output current	$I_{O(Peak)}$	$T_j = 25^\circ\text{C}$	—	1000	—	mA
Output voltage temperature coefficient	$\Delta V_O / T_a$	$I_O = 5\text{ mA}$ , $T_j = 0^\circ\text{C to }125^\circ\text{C}$	—	-0.5	—	$\text{mV}/^\circ\text{C}$
Thermal protection operating temperature	$T_{j(TH)}$	$I_O = 5\text{ mA}$	—	150	—	$^\circ\text{C}$

### ■ Electrical Characteristics at $T_a = 25^\circ\text{C}$ (continued)

#### • AN78M10NSP (10 V type)

The specified condition  $T_j = 25^\circ\text{C}$  means that the test should be carried out within so short a test time (within 10 ms) that the characteristic value drift due to the chip junction temperature rise can be ignored.

Unless otherwise specified,  $V_I = 16\text{ V}$ ,  $I_O = 350\text{ mA}$ ,  $C_I = 0.33\text{ }\mu\text{F}$  and  $C_O = 0.1\text{ }\mu\text{F}$

Parameter	Symbol	Conditions	Min	Typ	Max	Unit
Output voltage	$V_{O1}$	$T_j = 25^\circ\text{C}$	9.6	10	10.4	V
Output voltage tolerance	$V_{O2}$	$V_I = 12.5\text{ V to }25\text{ V}$ , $I_O = 5\text{ mA to }350\text{ mA}$ $T_j = 25^\circ\text{C}$	9.5	—	10.5	V
Line regulation 1	$\text{REG}_{\text{IN1}}$	$V_I = 12.5\text{ V to }30\text{ V}$ , $T_j = 25^\circ\text{C}$	—	7	100	mV
Line regulation 2	$\text{REG}_{\text{IN2}}$	$V_I = 13\text{ V to }25\text{ V}$ , $T_j = 25^\circ\text{C}$	—	2	50	mV
Load regulation 1	$\text{REG}_{\text{L1}}$	$I_O = 5\text{ mA to }500\text{ mA}$ , $T_j = 25^\circ\text{C}$	—	25	200	mV
Load regulation 2	$\text{REG}_{\text{L2}}$	$I_O = 5\text{ mA to }200\text{ mA}$ , $T_j = 25^\circ\text{C}$	—	10	100	mV
Bias current	$I_{\text{Bias}}$	$T_j = 25^\circ\text{C}$	—	4.1	6	mA
Bias current fluctuation to input	$\Delta I_{\text{Bias(IN)}}$	$V_I = 13\text{ V to }25\text{ V}$ , $T_j = 25^\circ\text{C}$	—	—	0.8	mA
Bias current fluctuation to load	$\Delta I_{\text{Bias(L)}}$	$I_O = 5\text{ mA to }350\text{ mA}$ , $T_j = 25^\circ\text{C}$	—	—	0.5	mA
Ripple rejection ratio	RR	$V_I = 13\text{ V to }23\text{ V}$ , $I_O = 100\text{ mA}$ , $f = 120\text{ Hz}$	56	—	—	dB

#### • Design reference data

Note) The characteristics listed below are theoretical values based on the IC design and are not guaranteed.

Parameter	Symbol	Conditions	Min	Typ	Max	Unit
Output noise voltage	$V_{\text{NO}}$	$f = 10\text{ Hz to }100\text{ kHz}$	—	65	—	$\mu\text{V}$
Minimum input/output voltage difference	$V_{\text{DIF(min)}}$	$I_O = 500\text{ mA}$ , $T_j = 25^\circ\text{C}$	—	2	—	V
Output short-circuit current	$I_{\text{O(Short)}}$	$V_I = 35\text{ V}$ , $T_j = 25^\circ\text{C}$	—	300	—	mA
Peak output current	$I_{\text{O(Peak)}}$	$T_j = 25^\circ\text{C}$	—	1000	—	mA
Output voltage temperature coefficient	$\Delta V_O / T_a$	$I_O = 5\text{ mA}$ , $T_j = 0^\circ\text{C to }125^\circ\text{C}$	—	-0.5	—	$\text{mV}/^\circ\text{C}$
Thermal protection operating temperature	$T_{\text{j(TH)}}$	$I_O = 5\text{ mA}$	—	150	—	$^\circ\text{C}$

### ■ Electrical Characteristics at $T_a = 25^\circ\text{C}$ (continued)

#### • AN78M12NSP (12 V type)

The specified condition  $T_j = 25^\circ\text{C}$  means that the test should be carried out within so short a test time (within 10 ms) that the characteristic value drift due to the chip junction temperature rise can be ignored.

Unless otherwise specified,  $V_I = 19\text{ V}$ ,  $I_O = 350\text{ mA}$ ,  $C_I = 0.33\text{ }\mu\text{F}$  and  $C_O = 0.1\text{ }\mu\text{F}$

Parameter	Symbol	Conditions	Min	Typ	Max	Unit
Output voltage	$V_{O1}$	$T_j = 25^\circ\text{C}$	11.5	12	12.5	V
Output voltage tolerance	$V_{O2}$	$V_I = 14.5\text{ V to }27\text{ V}$ , $I_O = 5\text{ mA to }350\text{ mA}$ $T_j = 25^\circ\text{C}$	11.4	—	12.6	V
Line regulation 1	$REG_{IN1}$	$V_I = 14.5\text{ V to }30\text{ V}$ , $T_j = 25^\circ\text{C}$	—	8	100	mV
Line regulation 2	$REG_{IN2}$	$V_I = 16\text{ V to }30\text{ V}$ , $T_j = 25^\circ\text{C}$	—	2	50	mV
Load regulation 1	$REG_{L1}$	$I_O = 5\text{ mA to }500\text{ mA}$ , $T_j = 25^\circ\text{C}$	—	25	240	mV
Load regulation 2	$REG_{L2}$	$I_O = 5\text{ mA to }200\text{ mA}$ , $T_j = 25^\circ\text{C}$	—	10	120	mV
Bias current	$I_{Bias}$	$T_j = 25^\circ\text{C}$	—	4.3	6	mA
Bias current fluctuation to input	$\Delta I_{Bias(IN)}$	$V_I = 14.5\text{ V to }30\text{ V}$ , $T_j = 25^\circ\text{C}$	—	—	0.8	mA
Bias current fluctuation to load	$\Delta I_{Bias(L)}$	$I_O = 5\text{ mA to }350\text{ mA}$ , $T_j = 25^\circ\text{C}$	—	—	0.5	mA
Ripple rejection ratio	RR	$V_I = 15\text{ V to }25\text{ V}$ , $I_O = 100\text{ mA}$ , $f = 120\text{ Hz}$	55	—	—	dB

#### • Design reference data

Note) The characteristics listed below are theoretical values based on the IC design and are not guaranteed.

Parameter	Symbol	Conditions	Min	Typ	Max	Unit
Output noise voltage	$V_{NO}$	$f = 10\text{ Hz to }100\text{ kHz}$	—	75	—	$\mu\text{V}$
Minimum input/output voltage difference	$V_{DIF(min)}$	$I_O = 500\text{ mA}$ , $T_j = 25^\circ\text{C}$	—	2	—	V
Output short-circuit current	$I_{O(Short)}$	$V_I = 35\text{ V}$ , $T_j = 25^\circ\text{C}$	—	300	—	mA
Peak output current	$I_{O(Peak)}$	$T_j = 25^\circ\text{C}$	—	1000	—	mA
Output voltage temperature coefficient	$\Delta V_O / T_a$	$I_O = 5\text{ mA}$ , $T_j = 0^\circ\text{C to }125^\circ\text{C}$	—	-0.5	—	$\text{mV}/^\circ\text{C}$
Thermal protection operating temperature	$T_{j(TH)}$	$I_O = 5\text{ mA}$	—	150	—	$^\circ\text{C}$



### ■ Electrical Characteristics at $T_a = 25^\circ\text{C}$ (continued)

#### • AN78M15NSP (15 V type)

The specified condition  $T_j = 25^\circ\text{C}$  means that the test should be carried out within so short a test time (within 10 ms) that the characteristic value drift due to the chip junction temperature rise can be ignored.

Unless otherwise specified,  $V_I = 23\text{ V}$ ,  $I_O = 350\text{ mA}$ ,  $C_I = 0.33\text{ }\mu\text{F}$  and  $C_O = 0.1\text{ }\mu\text{F}$

Parameter	Symbol	Conditions	Min	Typ	Max	Unit
Output voltage	$V_{O1}$	$T_j = 25^\circ\text{C}$	14.4	15	15.6	V
Output voltage tolerance	$V_{O2}$	$V_I = 17.5\text{ V to }30\text{ V}$ , $I_O = 5\text{ mA to }350\text{ mA}$ $T_j = 25^\circ\text{C}$	14.25	—	15.75	V
Line regulation 1	$\text{REG}_{\text{IN1}}$	$V_I = 17.5\text{ V to }30\text{ V}$ , $T_j = 25^\circ\text{C}$	—	10	100	mV
Line regulation 2	$\text{REG}_{\text{IN2}}$	$V_I = 20\text{ V to }30\text{ V}$ , $T_j = 25^\circ\text{C}$	—	3	50	mV
Load regulation 1	$\text{REG}_{\text{L1}}$	$I_O = 5\text{ mA to }500\text{ mA}$ , $T_j = 25^\circ\text{C}$	—	25	300	mV
Load regulation 2	$\text{REG}_{\text{L2}}$	$I_O = 5\text{ mA to }200\text{ mA}$ , $T_j = 25^\circ\text{C}$	—	10	150	mV
Bias current	$I_{\text{Bias}}$	$T_j = 25^\circ\text{C}$	—	4.3	6	mA
Bias current fluctuation to input	$\Delta I_{\text{Bias(IN)}}$	$V_I = 17.5\text{ V to }30\text{ V}$ , $T_j = 25^\circ\text{C}$	—	—	0.8	mA
Bias current fluctuation to load	$\Delta I_{\text{Bias(L)}}$	$I_O = 5\text{ mA to }350\text{ mA}$ , $T_j = 25^\circ\text{C}$	—	—	0.5	mA
Ripple rejection ratio	RR	$V_I = 18.5\text{ V to }28.5\text{ V}$ , $I_O = 100\text{ mA}$ , $f = 120\text{ Hz}$	54	—	—	dB

#### • Design reference data

Note) The characteristics listed below are theoretical values based on the IC design and are not guaranteed.

Parameter	Symbol	Conditions	Min	Typ	Max	Unit
Output noise voltage	$V_{\text{NO}}$	$f = 10\text{ Hz to }100\text{ kHz}$	—	90	—	$\mu\text{V}$
Minimum input/output voltage difference	$V_{\text{DIF(min)}}$	$I_O = 500\text{ mA}$ , $T_j = 25^\circ\text{C}$	—	2	—	V
Output short-circuit current	$I_{\text{O(Short)}}$	$V_I = 35\text{ V}$ , $T_j = 25^\circ\text{C}$	—	300	—	mA
Peak output current	$I_{\text{O(Peak)}}$	$T_j = 25^\circ\text{C}$	—	1000	—	mA
Output voltage temperature coefficient	$\Delta V_O / T_a$	$I_O = 5\text{ mA}$ , $T_j = 0^\circ\text{C to }125^\circ\text{C}$	—	-0.5	—	$\text{mV}/^\circ\text{C}$
Thermal protection operating temperature	$T_{\text{j(TH)}}$	$I_O = 5\text{ mA}$	—	150	—	$^\circ\text{C}$

### ■ Electrical Characteristics at $T_a = 25^\circ\text{C}$ (continued)

#### • AN78M18NSP (18 V type)

The specified condition  $T_j = 25^\circ\text{C}$  means that the test should be carried out within so short a test time (within 10 ms) that the characteristic value drift due to the chip junction temperature rise can be ignored.

Unless otherwise specified,  $V_I = 27\text{ V}$ ,  $I_O = 350\text{ mA}$ ,  $C_I = 0.33\text{ }\mu\text{F}$  and  $C_O = 0.1\text{ }\mu\text{F}$

Parameter	Symbol	Conditions	Min	Typ	Max	Unit
Output voltage	$V_{O1}$	$T_j = 25^\circ\text{C}$	17.3	18	18.7	V
Output voltage tolerance	$V_{O2}$	$V_I = 21\text{ V to }33\text{ V}$ , $I_O = 5\text{ mA to }350\text{ mA}$ $T_j = 25^\circ\text{C}$	17.1	—	18.9	V
Line regulation 1	$REG_{IN1}$	$V_I = 21\text{ V to }33\text{ V}$ , $T_j = 25^\circ\text{C}$	—	10	100	mV
Line regulation 2	$REG_{IN2}$	$V_I = 22\text{ V to }33\text{ V}$ , $T_j = 25^\circ\text{C}$	—	5	50	mV
Load regulation 1	$REG_{L1}$	$I_O = 5\text{ mA to }500\text{ mA}$ , $T_j = 25^\circ\text{C}$	—	30	360	mV
Load regulation 2	$REG_{L2}$	$I_O = 5\text{ mA to }200\text{ mA}$ , $T_j = 25^\circ\text{C}$	—	10	180	mV
Bias current	$I_{Bias}$	$T_j = 25^\circ\text{C}$	—	4.4	6	mA
Bias current fluctuation to input	$\Delta I_{Bias(IN)}$	$V_I = 21\text{ V to }33\text{ V}$ , $T_j = 25^\circ\text{C}$	—	—	0.8	mA
Bias current fluctuation to load	$\Delta I_{Bias(L)}$	$I_O = 5\text{ mA to }350\text{ mA}$ , $T_j = 25^\circ\text{C}$	—	—	0.5	mA
Ripple rejection ratio	RR	$V_I = 22\text{ V to }32\text{ V}$ , $I_O = 100\text{ mA}$ , $f = 120\text{ Hz}$	53	—	—	dB

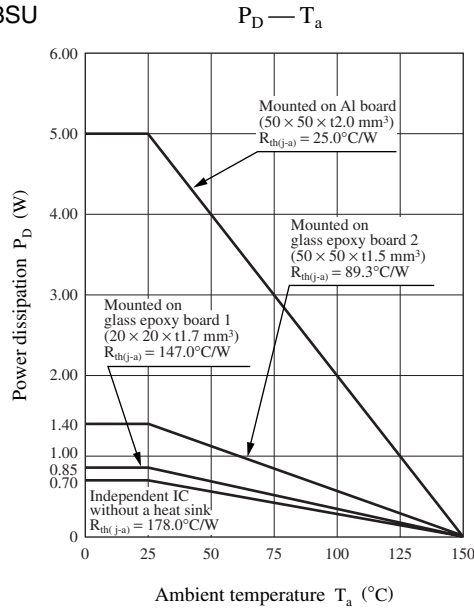
#### • Design reference data

Note) The characteristics listed below are theoretical values based on the IC design and are not guaranteed.

Parameter	Symbol	Conditions	Min	Typ	Max	Unit
Output noise voltage	$V_{NO}$	$f = 10\text{ Hz to }100\text{ kHz}$	—	100	—	$\mu\text{V}$
Minimum input/output voltage difference	$V_{DIF(min)}$	$I_O = 500\text{ mA}$ , $T_j = 25^\circ\text{C}$	—	2	—	V
Output short-circuit current	$I_{O(Short)}$	$V_I = 35\text{ V}$ , $T_j = 25^\circ\text{C}$	—	300	—	mA
Peak output current	$I_{O(Peak)}$	$T_j = 25^\circ\text{C}$	—	1000	—	mA
Output voltage temperature coefficient	$\Delta V_O / T_a$	$I_O = 5\text{ mA}$ , $T_j = 0^\circ\text{C to }125^\circ\text{C}$	—	-0.5	—	$\text{mV}/^\circ\text{C}$
Thermal protection operating temperature	$T_{j(TH)}$	$I_O = 5\text{ mA}$	—	150	—	$^\circ\text{C}$

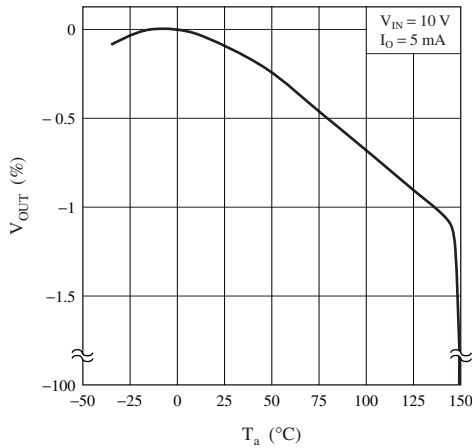
Application Notes

1.  $P_D - T_a$  curves of SP-3SU

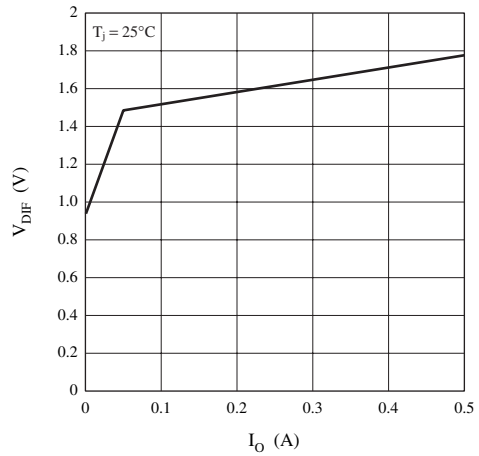


2. Main Characteristics

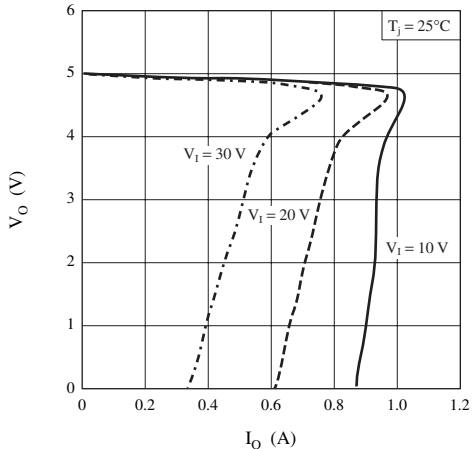
Output voltage temperature characteristic



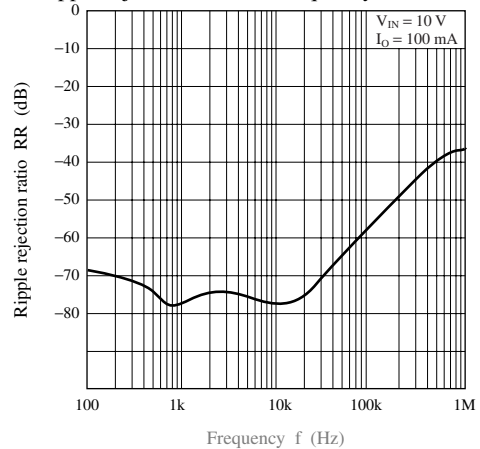
Minimum input/output voltage difference vs. load current characteristic



Current limit characteristics

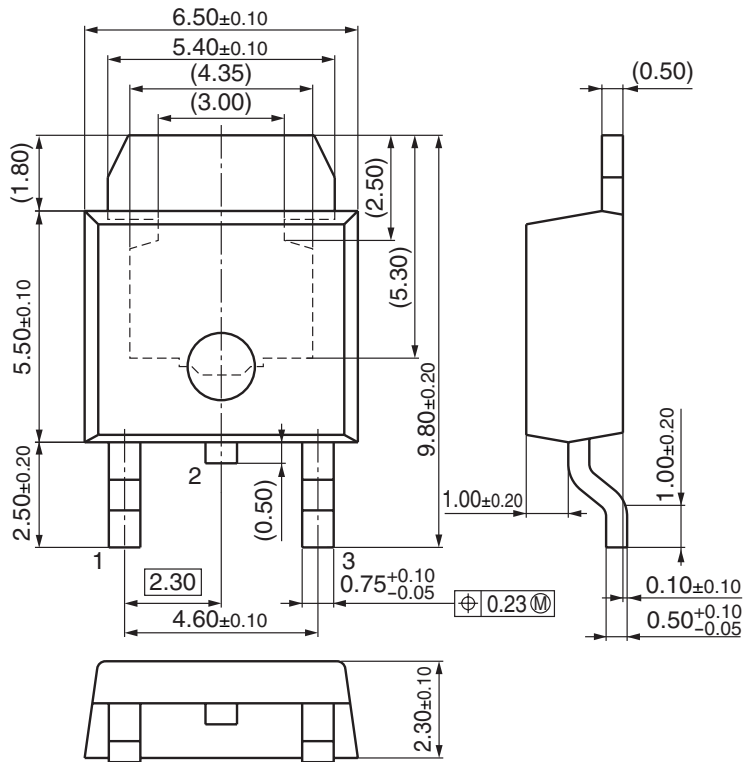


Ripple rejection ratio vs. frequency characteristic



■ New Package Dimensions (Unit: mm)

- SP-3SUA (Lead-free package)



## Request for your special attention and precautions in using the technical information and semiconductors described in this material

- (1) An export permit needs to be obtained from the competent authorities of the Japanese Government if any of the products or technologies described in this material and controlled under the "Foreign Exchange and Foreign Trade Law" is to be exported or taken out of Japan.
- (2) The technical information described in this material is limited to showing representative characteristics and applied circuit examples of the products. It does not constitute the warranting of industrial property, the granting of relative rights, or the granting of any license.
- (3) The products described in this material are intended to be used for standard applications or general electronic equipment (such as office equipment, communications equipment, measuring instruments and household appliances).  
Consult our sales staff in advance for information on the following applications:
  - Special applications (such as for airplanes, aerospace, automobiles, traffic control equipment, combustion equipment, life support systems and safety devices) in which exceptional quality and reliability are required, or if the failure or malfunction of the products may directly jeopardize life or harm the human body.
  - Any applications other than the standard applications intended.
- (4) The products and product specifications described in this material are subject to change without notice for reasons of modification and/or improvement. At the final stage of your design, purchasing, or use of the products, therefore, ask for the most up-to-date Product Standards in advance to make sure that the latest specifications satisfy your requirements.
- (5) When designing your equipment, comply with the guaranteed values, in particular those of maximum rating, the range of operating power supply voltage and heat radiation characteristics. Otherwise, we will not be liable for any defect which may arise later in your equipment.  
Even when the products are used within the guaranteed values, redundant design is recommended, so that such equipment may not violate relevant laws or regulations because of the function of our products.
- (6) When using products for which dry packing is required, observe the conditions (including shelf life and after-unpacking standby time) agreed upon when specification sheets are individually exchanged.
- (7) No part of this material may be reprinted or reproduced by any means without written permission from our company.

## Please read the following notes before using the datasheets

- A. These materials are intended as a reference to assist customers with the selection of Panasonic semiconductor products best suited to their applications.  
Due to modification or other reasons, any information contained in this material, such as available product types, technical data, and so on, is subject to change without notice.  
Customers are advised to contact our semiconductor sales office and obtain the latest information before starting precise technical research and/or purchasing activities.
- B. Panasonic is endeavoring to continually improve the quality and reliability of these materials but there is always the possibility that further rectifications will be required in the future. Therefore, Panasonic will not assume any liability for any damages arising from any errors etc. that may appear in this material.
- C. These materials are solely intended for a customer's individual use.  
Therefore, without the prior written approval of Panasonic, any other use such as reproducing, selling, or distributing this material to a third party, via the Internet or in any other way, is prohibited.