

**PLEASE CHECK WWW.MOLEX.COM FOR LATEST PART INFORMATION**

**Part Number:** [0019091049](#)  
**Status:** **Active**  
**Overview:** [standard\\_093](#)  
**Description:** 2.36mm (.093") Diameter Standard .093" Pin and Socket Receptacle Housing With Positive Latch, UL 94V-2, 4 Circuits

**Documents:**

[3D Model](#) [Drawing \(PDF\)](#)  
[Packaging Specification \(PDF\)](#) [RoHS Certificate of Compliance \(PDF\)](#)

**Agency Certification**

CSA	LR19980
TUV	R72081037
UL	E29179

**General**

Product Family	Crimp Housings
Series	<a href="#">3191</a>
Comments	Polarized to Mating Part, Without Mounting Ears
Overview	<a href="#">standard_093</a>
Product Name	Standard .093"

**Physical**

Breakaway	No
Circuits (maximum)	4
Circuits Detail	2x2
Color - Resin	Natural
Flammability	94V-2
Gender	Dual
Glow-Wire Compliant	No
Keying to Mating Part	None
Lock to Mating Part	Yes
Material - Resin	Nylon
Number of Rows	1
Packaging Type	Bag
Panel Mount	No
Pitch - Mating Interface (in)	0.264 In
Pitch - Mating Interface (mm)	6.71 mm
Polarized to Mating Part	Yes
Stackable	No
Temperature Range - Operating	-40°C to +105°C

**Electrical**

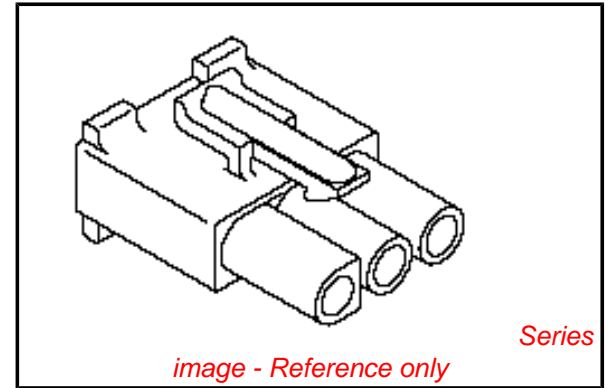
Current - Maximum per Contact	9A
-------------------------------	----

**Material Info**

Old Part Number	3191-4R1
-----------------	----------

**Reference - Drawing Numbers**

Packaging Specification	PK-3191-001
Sales Drawing	SD-3191-4*



**EU RoHS**

**ELV and RoHS Compliant**  
**REACH SVHC**  
**Contains SVHC: No**  
**Halogen-Free Status**

**China RoHS**



**Need more information on product environmental compliance?**

Email [productcompliance@molex.com](mailto:productcompliance@molex.com)  
 For a multiple part number RoHS Certificate of Compliance, [click here](#)

Please visit the [Contact Us](#) section for any non-product compliance questions.

**Search Parts in this Series**

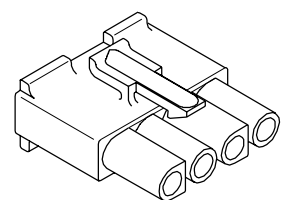
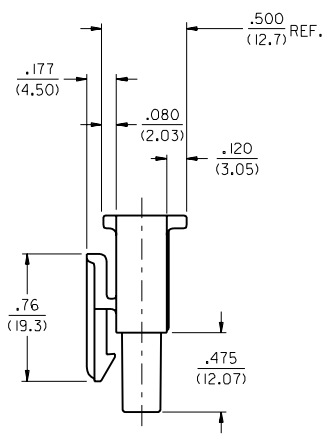
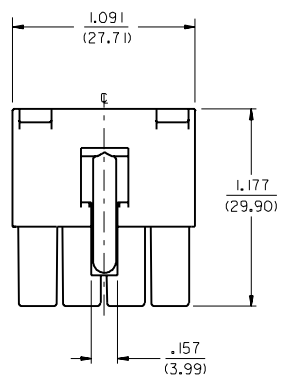
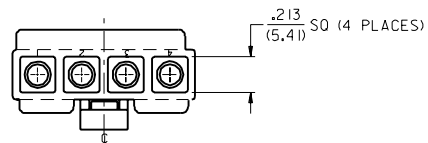
[3191Series](#)

**Mates With**

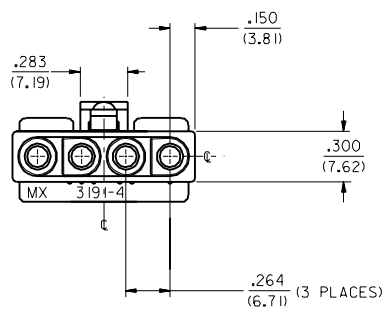
[3191](#) Pin and Socket Plug, [5219](#) Vertical PCB Header

**Use With**

[1189](#) Crimp Terminals, [1190](#) Crimp Terminals, [1380](#) Male Crimp Terminals, [1381](#) Female Crimp Terminals, [1433](#) Crimp Terminals, [1434](#) Male Crimp Terminals, [2605](#) , [2606](#) , [1973](#) , [2151](#) , [2273](#) , [2870](#) , [2871](#) , [4272](#) , Lin



RECEPTACLE



EC NO. UCR1998-0254 DRW: J.WANG 0006007 CHK: B.WIRKUS 0006007 APPR: R.EDGE 0006007	QUALITY SYMBOLS MAJOR $\blacktriangledown=0$ CRITICAL $\nabla=0$	GENERAL TOLERANCES: (UNLESS SPECIFIED)		SCALE 2 : 1	DESIGN UNITS <input type="checkbox"/> mm <input checked="" type="checkbox"/> INCH	DIMENSIONS: <input type="checkbox"/> mm <input checked="" type="checkbox"/> INCH <input type="checkbox"/> mm ONLY	THIRD ANGLE PROJECTION	SHT REV
	DESCRIPTION J3	4 PLACES $\pm 0.00$ $\pm 0.00$ 3 PLACES $\pm 0.00$ $\pm 0.10$ 2 PLACES $\pm 0.25$ $\pm 0.15$ 1 PLACE $\pm 0.38$ $\pm 0.00$	DRAWN BY & DATE J.WANG 98/08/24 CHECKED BY & DATE B.WIRKUS 98/08/24 APPROVED BY & DATE R.EDGELEY 98/08/24	TITLE: .093/(2.36) HOUSINGS PLUG AND RECEPTACLE 4 CKT., .264/(6.70) CTRS	CAD FILENAME S3191402.DGN	MATERIAL NO. SEE SHT.3	DRAWING NO. SD -3191 -4*	SHEET NO. 2
DRAFT WHERE APPLICABLE MUST REMAIN WITHIN DIMENSIONS				THIS DRAWING CONTAINS INFORMATION THAT IS PROPRIETARY TO MOLEX INCORPORATED AND SHOULD NOT BE USED WITHOUT WRITTEN PERMISSION.				REVISE ON CAD ONLY

PLUG	
PART NO.	ENG. NO.
19-09-2048	3191-4P
19-09-2049	3191-4PI
19-09-2047	3191-4P-A
19-09-2046	3191-4PI-A

RECEPTACLE	
PART NO.	ENG. NO.
19-09-1049	3191-4R1
19-09-1046	3191-4R1-A

### LEGEND

3191-4\*\*\*\*\*

CIRCUIT SIZE

P = PLUG  
R = RECEPTACLE

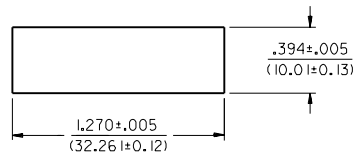
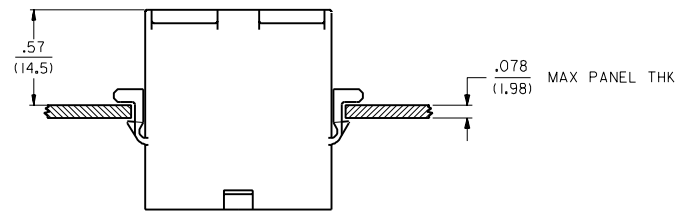
EARS: BLANK = WITH PREBENT EARS (PLUG ONLY)  
I = WITHOUT EARS

COLOR: BLANK = NATURAL COLOR

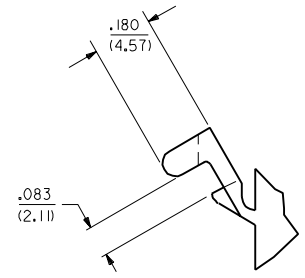
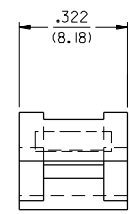
AM=AMBER BK=BLACK BU=BLUE  
BN=BROWN GY=GRAY GN=GREEN  
OR=ORANGE RD=RED YW=YELLOW

COLORS AVAILABLE ONLY IN 94V-2 MATERIAL

MATERIAL: BLANK=NYLON TYPE 6/6, 94V-2 COLOR:NATURAL  
A=NYLON TYPE 6/6, 94V-0 COLOR:WHITE



RECOMMENDED HOLE CUTOUT



DETAIL "A"  
.093/(2.36) PREBENT MOUNTING EAR  
(SCALE 4:1)

EC NO. UCR1998-0254 DRW: J.WANG 000607 CHK: B.WIRKUS 000607 APPR: R.EDGLEY 000607	QUALITY SYMBOLS MAJOR $\blacktriangledown = 0$ CRITICAL $\nabla = 0$ REV $\square = 0$	GENERAL TOLERANCES: (UNLESS SPECIFIED)		SCALE 2 : 1	DESIGN UNITS <input type="checkbox"/> mm <input checked="" type="checkbox"/> INCH	DIMENSIONS: <input type="checkbox"/> mm <input checked="" type="checkbox"/> INCH <input type="checkbox"/> mm ONLY	THIRD ANGLE PROJECTION	SHT 3 REV 3
		4 PLACES $\pm 0.000$ $\pm .000$	DRAWN BY & DATE J.WANG 98/08/18	TITLE: .093/(2.36) HOUSINGS PLUG AND RECEPTACLE 4-CKTS, .264/(6.70) CTRS				
		3 PLACES $\pm 0.000$ $\pm .010$	CHECKED BY & DATE B.WIRKUS 98/08/18	MOLEX INCORPORATED				
		2 PLACES $\pm 0.025$ $\pm .015$	APPROVED BY & DATE R.EDGLEY 98/08/18	MATERIAL NO. SD -3191-4* DRAWING NO. SD -3191-4*				
1 PLACE $\pm 0.038$ $\pm .000$	ANGLAR: $\pm 1^\circ$	CAD FILENAME S3191403.DGN	SHEET NO. 3 SIZE C					
DRAFT WHERE APPLICABLE MUST REMAIN WITHIN DIMENSIONS		THIS DRAWING CONTAINS INFORMATION THAT IS PROPRIETARY TO MOLEX INCORPORATED AND SHOULD NOT BE USED WITHOUT WRITTEN PERMISSION.						