

PULSE GENERATOR SERIES 0454 HIGH SPEED ECL 10KH

TECHNICAL INFORMATION

TEST CONDITIONS

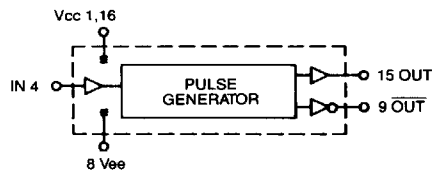
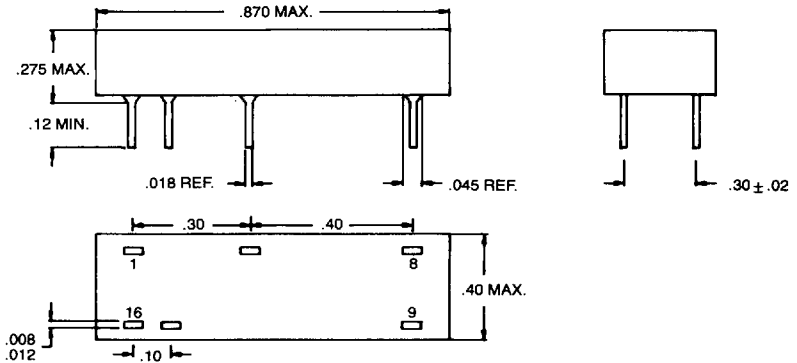
Logic 1 - 0.9 Volts
 Logic 0 - 1.8 Volts
 Rise Time 20% to
 80% 1.0 Nsec
 Pulse Width 5 Nsec
 Pulse Period 4 x Output Pulse
 Width
 Supply Voltage, V_{ee} - 5.2 Volts
 Output Terminations 50 Ohm
 ± 1% to - 2 Volts
 Ambient Temperature 25°C

PERFORMANCE CHARACTERISTICS

Pulse Width Tolerances
 As Specified in Table
 Performance Characteristics apply at
 above listed Test Conditions.

ELECTRICAL CHARACTERISTICS

Supply Voltage, V_{cc}
 - 4.94 To - 5.46 Volts
 Logic 1 Input Voltage
 - 1.13 Volts min.
 Logic 1 Input Current
 265 Microamp max.
 Logic 1 Output Voltage
 - 0.98 Volts min.
 Logic 0 Input Voltage
 - 1.48 Volts max.
 Logic 0 Input Current
 0.5 Microamp min.
 Logic 0 Output Voltage
 - 1.63 Volts max.
 Operating Temperature Range
 0°C To 75°C
 Temperature Coefficient Of Output Pulse
 Width
 300PPM/°C Typical
 —Compatible with ECL 10KH circuits
 —Other pulse widths and tolerances upon
 request



Part Number	Pulse Width (NS) 1	Maximum Pulse Rate (MHz)
0454-0005-01	5 ± 1.0	98
0454-0006-01	6 ± 1.0	80
0454-0007-01	7 ± 1.0	70
0454-0008-01	8 ± 1.0	60
0454-0009-01	9 ± 1.0	54
0454-0010-01	10 ± 1.0	49
0454-0015-01	15 ± 1.0	32
0454-0020-01	20 ± 1.0	24
0454-0025-01	25 ± 1.0	19
0454-0030-01	30 ± 1.0	15
0454-0035-01	35 ± 1.5	13
0454-0040-01	40 ± 1.5	11
0454-0045-01	45 ± 1.5	10
0454-0050-01	50 ± 1.5	9
0454-0060-01	60 ± 1.5	8
0454-0070-01	70 ± 2.0	7
0454-0080-01	80 ± 2.0	6
0454-0090-01	90 ± 3.0	5
0454-0100-01	100 ± 3.0	4

1 Measured at 50% level.

Specifications Subject To Change Without Notice