

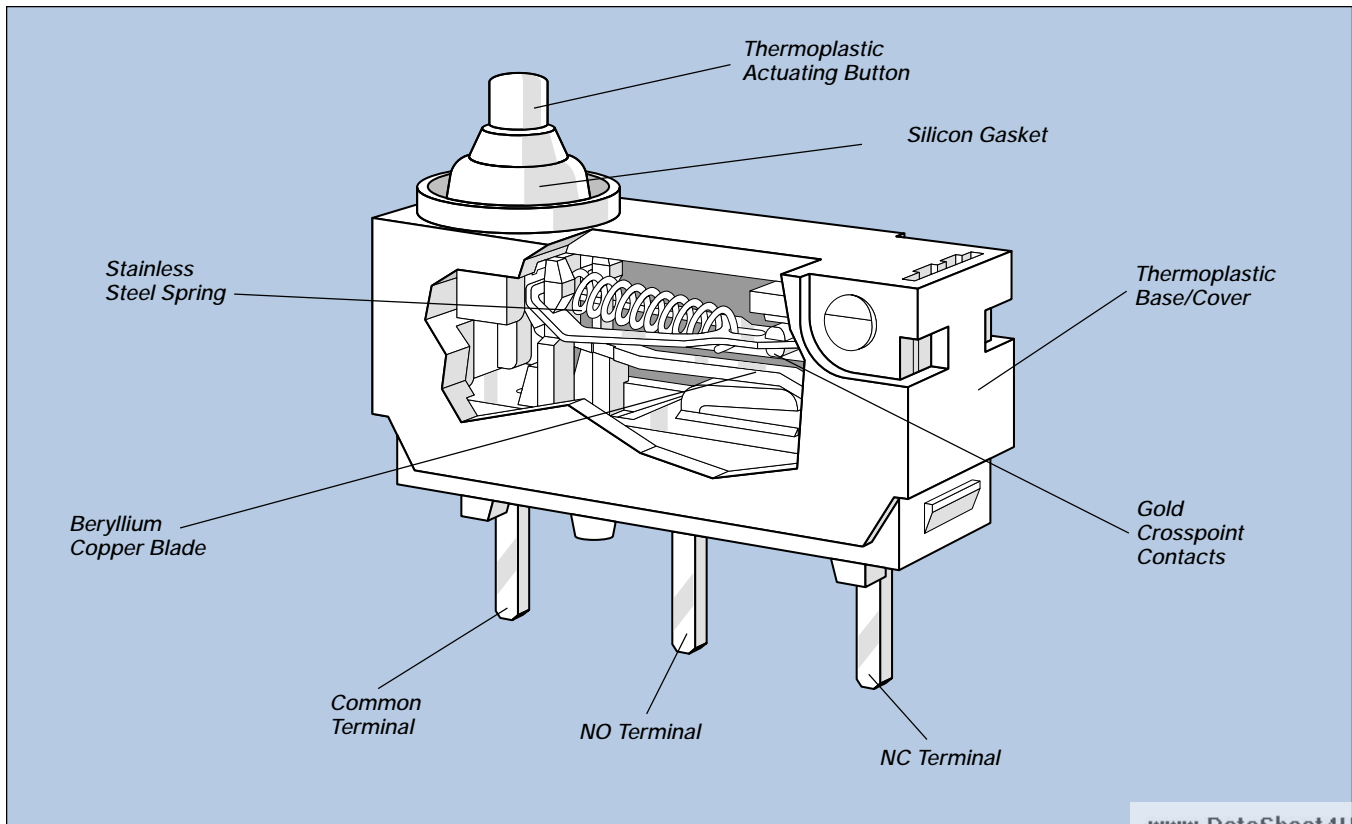
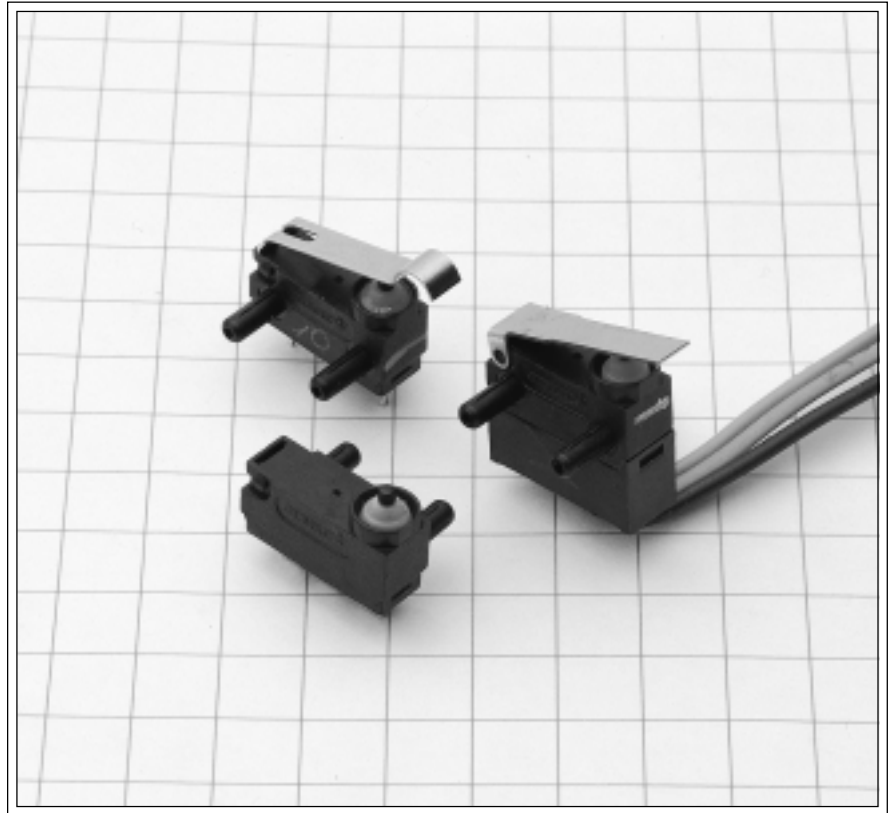
DK Series

Subminiature Waterproof

DK1 $\geq 5\text{mA}$ to $\leq 2\text{ amp}$
12 VDC/24 VDC

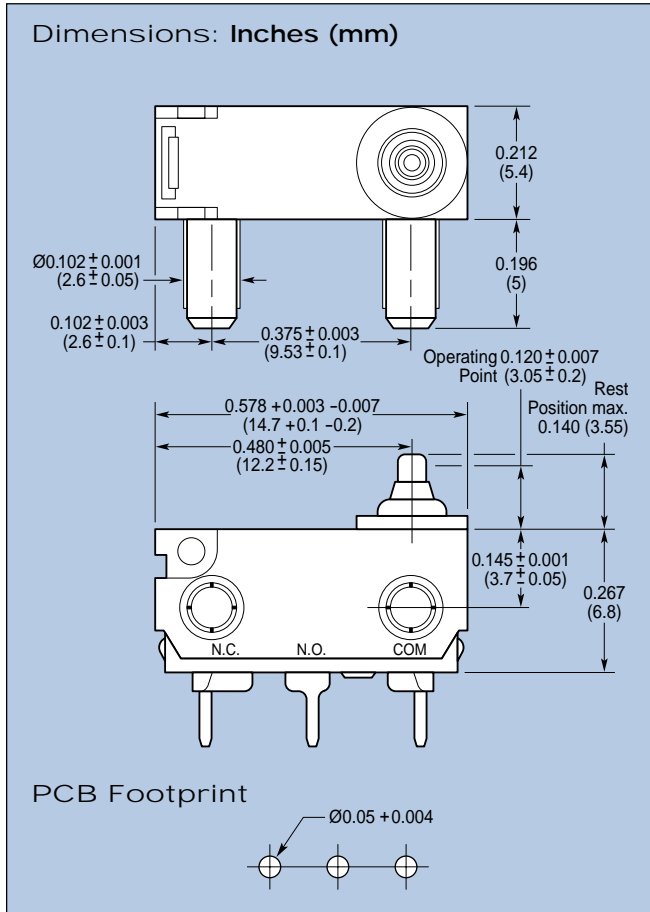
Features

- Waterproof and dustproof in accordance with IP67 (DIN 40050) (IP 68 available on request)
- AC ratings available on request
- Tight operating point tolerances, large overtravel
- External snap on actuator
- Potted wire version available on request



DK Series

Subminiature Waterproof



Contacts and Ratings

Series Prefix	Rating
DK1	≥5 mA to ≤2 amp at 12 VDC
Circuit Configuration	Single-pole double throw
Temperature Rating	-40° to +85°C, +120°C optional
Flammability Rating	UL94HB

Electrical Specifications/Life

Mechanical Life	200,000 cycles
Electrical Life	100,000 cycles

Materials

Base/Cover	Thermoplastic Polyester
Actuator	Thermoplastic Acetal
Auxiliary Actuator	Stainless Steel
Contacts	Gold Alloy Crosspoint
Spring	Stainless Steel

Characteristics

Operating Position	0.120 ±0.007
Operating Force	75 gms max.

Ordering Information

DK 1 G - C N A O

Series/Prefix	Current Rating	Contact Configuration	Terminal Wire Types Configuration	Terminal Configuration	Housing Type	Auxiliary Actuator Version	Aux. Actuator Length
DK	UL (W/CNR)	CODE	CODE	CODE		CODE	
1	AUAG8/AG ≥5mA ≤2 amp 12 VDC/24 VDC	G Double Throw E* Norm. Open F* Norm. Closed	A Short Solder 0.098 x 0.020 LA = 0.067 B PCB Terminal Straight 0.024 x 0.020 LA = 0.098 C PCB Terminal Right Side 0.024 x 0.020(1) LB = 0.112 D PCB Terminal Left Side 0.024 x 0.020(1) LC = 0.112	N Terminal Type 3 Wire Underneath L Terminal Type 6 Wire Underneath R Terminal Type 9 Wire Underneath G Custom Versions Available W Consult Factory	Without Pin Pin Left Pin Right	Basic Button Straight Aux Actuator Simulated Roller Aux Actuator	— 0.591 0.669
		* Wire Versions Only					

(1) Only available with corresponding locator pins