

### Features

- DC to 4 GHz
- Flanged model
- Low VSWR

### Applications

- High power RF transmission

## CHF5225CAF Series 20 W Power RF Flanged Chip Termination

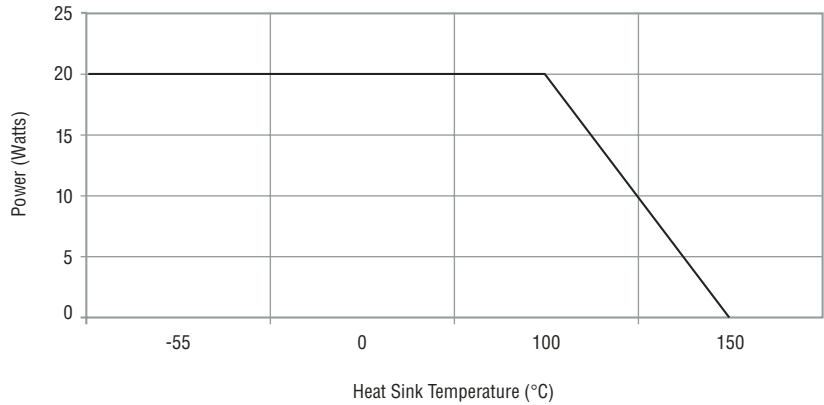
### General Specifications

Substrate.....Alumina  
 Resistive Film.....Thick Film  
 Tab.....Ag  
 Protection.....Epoxy  
 Tab Attachment  
 .....Braze with Epoxy Encapsulation  
 Mounting Flange .....Cu plated with Ni  
 Resistance.....50 Ω  
 Tolerance.....±5 %  
 Packaging .....100 pcs./tray

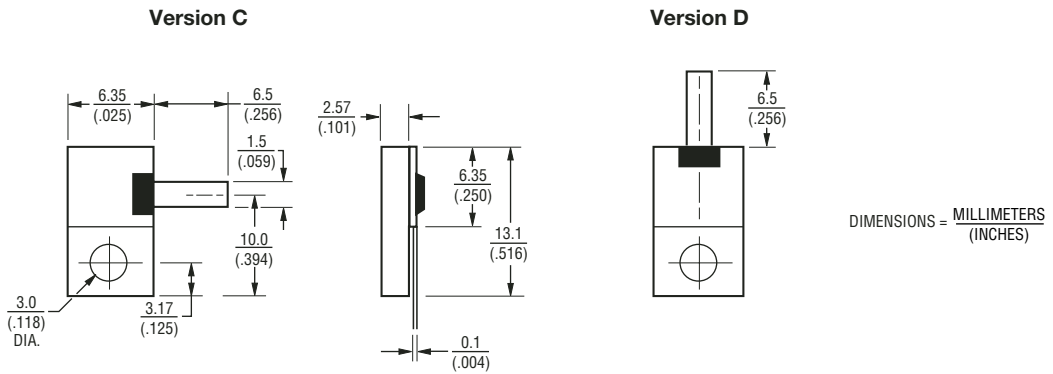
### Absolute Ratings

Power.....20 W  
 Frequency .....4.0 GHz  
 VSWR .....1.2 Maximum

### Characteristic Curve



### Product Dimensions



### How To Order

CHF 5225 C A F 500 L

Model \_\_\_\_\_

Size \_\_\_\_\_

Version \_\_\_\_\_

Substrate \_\_\_\_\_

Mount \_\_\_\_\_

F = Flange

Value \_\_\_\_\_

500 = 50 Ohm

Function \_\_\_\_\_

L = Termination



Reliable Electronic Solutions

#### Asia-Pacific:

Tel: +886-2 2562-4117  
 Fax: +886-2 2562-4116

#### Europe:

Tel: +41-41 768 5555  
 Fax: +41-41 768 5510

#### The Americas:

Tel: +1-951 781-5500  
 Fax: +1-951 781-5700

www.bourns.com

\*RoHS Directive 2002/95/EC Jan 27 2003, including Annex  
 Specifications are subject to change without notice.

Customers should verify actual device performance in their specific applications.