

Series CF

Compact Flash Card Reader, Type I (w. and w/o Ejector)

Card Connectors

Compact Flash Card Reader

Specifications

Insulation Resistance: 1000MΩ at 500V DC
 Withstanding Voltage: 500Vrms
 Current Rating: 0.5A
 Operating Temp. Range: -20°C to +90°C
 Reflow Solder Temp.: 220°C min./sec.
 Mating Cycles: 260°C peak
 10,000 times



Materials and Finish

Insulator: LCP, glass filled (UL94V-0)
 SMT Metal: Brass, pure Sn
 Push Button: Glass reinforced PBT (UL94V-0)
 Cover: Stainless Steel
 Contacts: Brass
 Plating: Contacts - Gold (15μ") over Nickel (40μ")
 Solder Tails - pure Sn

Features

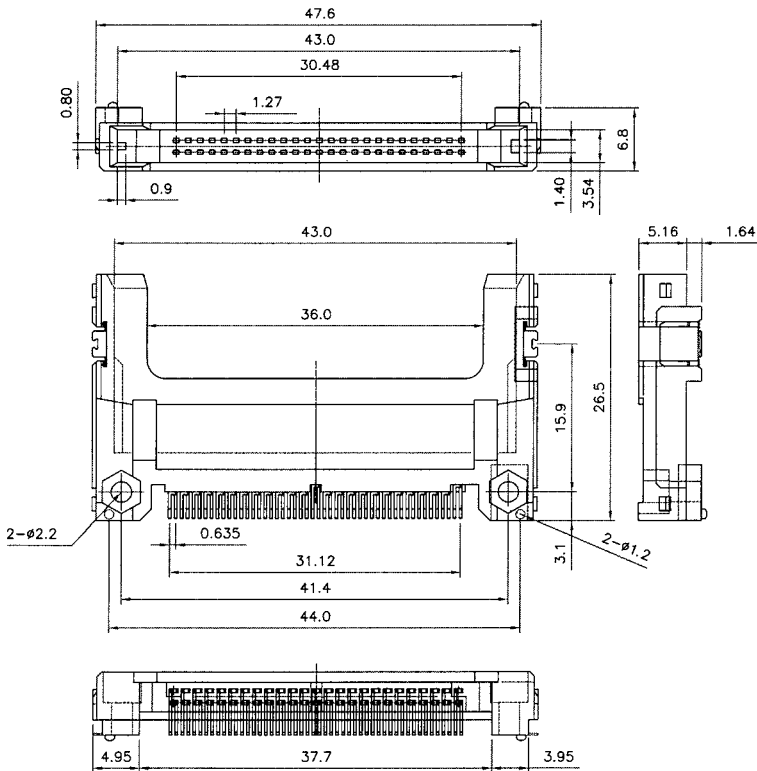
- Adapter for Compact Flash Card Type I
- With push button ejector (optional)

Part Number (Details)

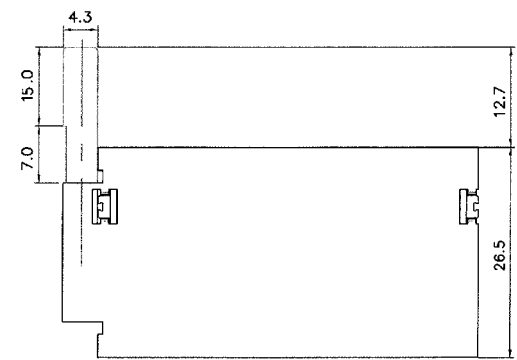
CF 050P - 003 - * * DS

Series	CF
No. of Contacts	050P
90° SMT	003
Ejector:	* *
0 = Without	
1 = Right Side	
Insulator Colour:	DS
0 = White (standard)	
1 = Black (on request only)	
Plating Area:	
Contacts: Gold (15μ") over 40μ" Nickel	
Solder Tails: 100μ" Tin over 40μ" Nickel	

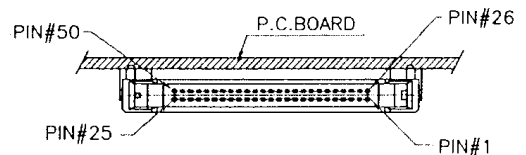
Outline Dimensions (without Ejector)



Outline Dimensions (Ejector Option)



Pin Positions



Recommended PCB Layout and Mounting Area

