

**PLEASE CHECK WWW.MOLEX.COM FOR LATEST PART INFORMATION**

**Part Number:** **0791077005**  
**Status:** **Active**  
**Description:** 2.00mm (.079") Pitch Milli-Grid™ Receptacle, Vertical, Through Hole, Dual Row, 3.00mm (.118) Tail Length, 0.38µm (15µ") Gold (Au) Selective Plating, 12 Circuits, Leadfree

**Documents:**

[3D Model](#) [Product Specification PS-79107 \(PDF\)](#)  
[Drawing \(PDF\)](#) [RoHS Certificate of Compliance \(PDF\)](#)

**General**

Product Family PCB Receptacles  
 Series 79107  
 Application Board-to-Board  
 Product Name Milli-Grid™

**Physical**

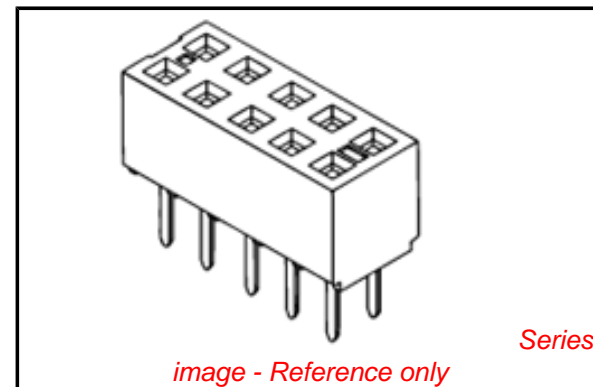
Circuits (Loaded) 12  
 Color - Resin Black  
 Durability (mating cycles max) 50  
 Glow-Wire Compliant No  
 Lock to Mating Part None  
 Material - Metal Phosphor Bronze  
 Material - Plating Mating Gold  
 Material - Plating Termination Tin  
 Material - Resin High Temperature Thermoplastic  
 Number of Rows 2  
 Orientation Vertical  
 PC Tail Length (in) 0.118 In  
 PC Tail Length (mm) 3.00 mm  
 PCB Locator No  
 PCB Retention None  
 PCB Thickness Recommended (in) 0.062 In  
 PCB Thickness Recommended (mm) 1.60 mm  
 Packaging Type Tube  
 Pitch - Mating Interface (in) 0.079 In  
 Pitch - Mating Interface (mm) 2.00 mm  
 Pitch - Term. Interface (in) 0.079 In  
 Pitch - Term. Interface (mm) 2.00 mm  
 Plating min: Mating (µin) 15  
 Plating min: Mating (µm) 0.375  
 Plating min: Termination (µin) 75  
 Plating min: Termination (µm) 1.875  
 Polarized to Mating Part No  
 Polarized to PCB No  
 Surface Mount Compatible (SMC) Yes  
 Temperature Range - Operating -55°C to +105°C  
 Termination Interface: Style Through Hole

**Electrical**

Current - Maximum per Contact 1A  
 Voltage - Maximum 125V

**Solder Process Data**

Duration at Max. Process Temperature (seconds) 10  
 Lead-free Process Capability Wave Capable (TH only)



**EU RoHS**

**ELV and RoHS Compliant**  
**REACH SVHC**  
 Not Reviewed  
**Halogen-Free Status**  
 Not Reviewed

**China RoHS**



**Need more information on product environmental compliance?**

Email [productcompliance@molex.com](mailto:productcompliance@molex.com)  
 For a multiple part number RoHS Certificate of Compliance, [click here](#)

Please visit the [Contact Us](#) section for any non-product compliance questions.

**Search Parts in this Series**

79107Series

**Mates With**

[87758](#) Vertical, Through Hole, Stackable PCB Header, [87759](#) Vertical, Surface Mount, Stackable PCB Header, [87760](#) Right Angle, Through Hole, Stackable PCB Header, [87831](#) Vertical, Through Hole PCB Header, [87832](#) Vertical, Surface Mount PCB

|   |     |
|---|-----|
| Max. Cycles at Max. Process Temperature | 1   |
| Process Temperature max. C              | 260 |

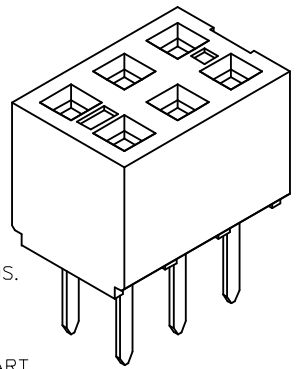
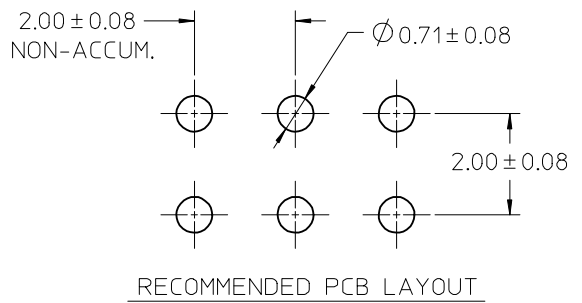
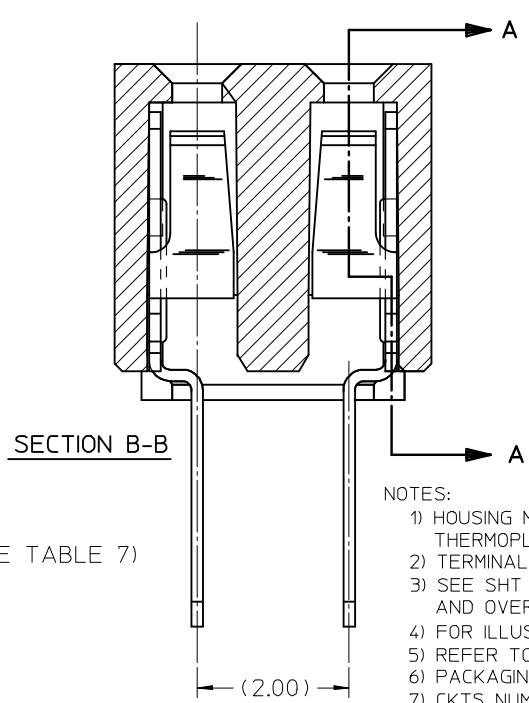
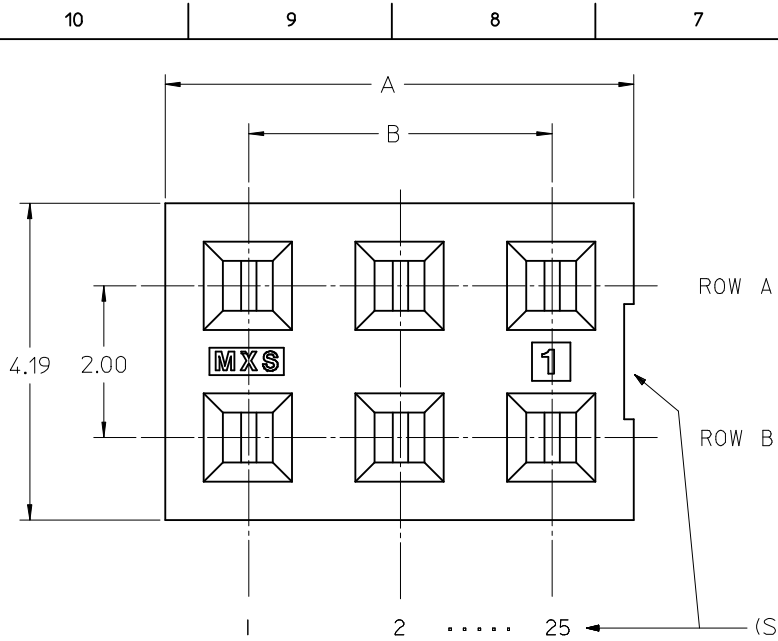
### **Material Info**

### **Reference - Drawing Numbers**

|                       |                |
|-----------------------|----------------|
| Product Specification | PS-79107       |
| Sales Drawing         | SDA-79107-**** |

This document was generated on 03/18/2010

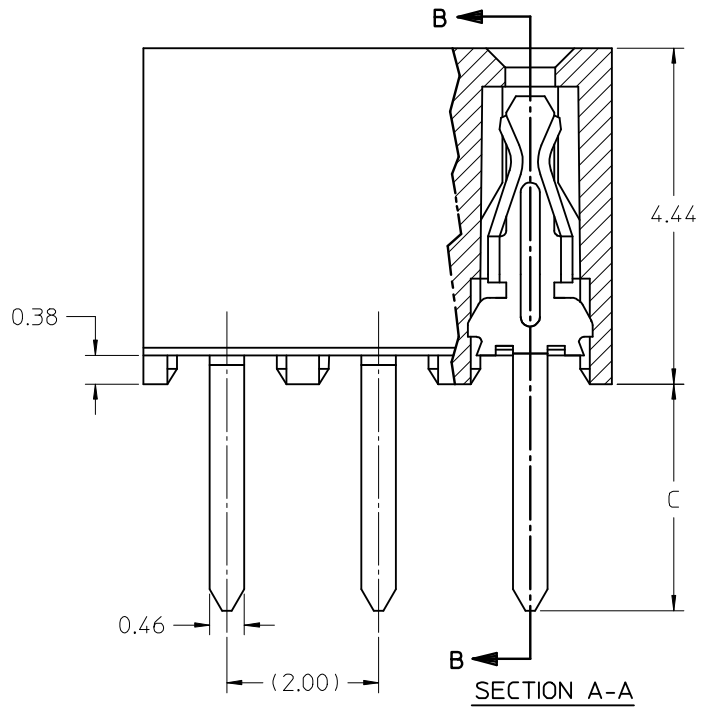
**PLEASE CHECK [WWW.MOLEX.COM](http://WWW.MOLEX.COM) FOR LATEST PART INFORMATION**



- NOTES:
- 1) HOUSING MATERIAL: GLASS FILLED HIGH TEMP THERMOPLASTIC, COLOR: BLACK
  - 2) TERMINAL MATERIAL: PHOSPHOR BRONZE
  - 3) SEE SHT 2 FOR CKT SIZE, PART NUMBERS AND OVERALL DIMENSIONS, SEE SHT 3 FOR VOIDS.
  - 4) FOR ILLUSTRATION, 6 CKT ASSY SHOWN.
  - 5) REFER TO PRODUCT SPEC PS-79107
  - 6) PACKAGING PER PK-70873-0180
  - 7) CKTS NUMBERED FROM LEFT TO RIGHT WHEN PART IS VIEWED FROM TOP WITH RECESS ON THE RIGHT AS SHOWN.
  - 8) SOLDER TAIL TO BE MEASURED BY PITCH GAUGE.

PLATING OPTION:

- 4) - 30u\*/0.76um MIN GOLD PLATE IN SELECTED AREA  
75u\*/1.90um MIN TIN PLATE IN SELECTED AREA  
BOTH OVER 50u\*/1.25um MIN NICKEL OVERALL
- 5) - 15u\*/0.38um MIN GOLD PLATE IN SELECTED AREA  
75u\*/1.90um MIN TIN PLATE IN SELECTED AREA  
BOTH OVER 50u\*/1.25um MIN NICKEL OVERALL
- 6) - 2u\*/0.05um MIN GOLD PLATE IN SELECTED AREA  
40u\*/1.02um MIN TIN PLATE IN SELECTED AREA  
BOTH OVER 40u\*/1.02um MIN NICKEL OVERALL



|   |                               |   |   |                                   |                     |  |                                       |                            |  |
|---|-------------------------------|---|---|-----------------------------------|---------------------|--|---------------------------------------|----------------------------|--|
| PDRS#1861, ADD 791075104,<br>5105, 5106, 5107<br>EC NO: S2009-0107<br>DRWN:ATSEE 2008/09/03<br>CHKD:SKANG 2008/09/15<br>APPR:MLONG 2008/09/15 | QUALITY SYMBOLS<br>▽=0<br>◻=0 | GENERAL TOLERANCES (UNLESS SPECIFIED)   |   | DIMENSION STYLE<br><b>MM ONLY</b> | SCALE<br><b>NTS</b> | DESIGN UNITS<br><b>METRIC</b>                        | THIRD ANGLE PROJECTION                |                            |  |
|   |                               | 4 PLACES ± --- ± ---<br>3 PLACES ± --- ± ---<br>2 PLACES ± 0.25 ± ---<br>1 PLACE ± 0.38 ± --- | mm INCH<br>--- ---<br>--- ---<br>± 0.25 ± ---<br>± 0.38 ± --- | DRAWN BY<br>AAB                   | DATE<br>1989/05/15  | TITLE<br><b>2MM DUAL ROW VERTICAL RECEPTACLE T/H</b> |                                       |                            |  |
|   |                               | ANGULAR ± 1/2°  |   | CHECKED BY<br>MJM                 | DATE<br>1989/05/15  | MOLEX INCORPORATED                                   |                                       |                            |  |
|   |                               | DRAFT WHERE APPLICABLE MUST REMAIN WITHIN DIMENSIONS  |   | APPROVED BY<br>WAZ                | DATE<br>1989/05/15  | MATERIAL NO.<br><b>SEE TABLE</b>                     | DOCUMENT NO.<br><b>SDA-79107-****</b> | SHEET NO.<br><b>1 OF 3</b> |  |

F

F

E

E

D

D

C

C

B

B

A

A

| CKT SIZE | DIM 'A' | DIM 'B' | P.C.TAIL DIMENSION 'C' = 3.00 |            |                  |            |                  |            | P.C.TAIL DIMENSION 'C' = 1.91 |            |                  |            |                  |            |
|----------|---------|---------|-------------------------------|------------|------------------|------------|------------------|------------|-------------------------------|------------|------------------|------------|------------------|------------|
|          |         |         | PLATING OPTION 5              |            | PLATING OPTION 4 |            | PLATING OPTION 6 |            | PLATING OPTION 5              |            | PLATING OPTION 4 |            | PLATING OPTION 6 |            |
|          |         |         | ITEM NO.                      |            | ITEM NO.         |            | ITEM NO.         |            | ITEM NO.                      |            | ITEM NO.         |            | ITEM NO.         |            |
| 04       | (4.19)  | (2.00)  |                               | 79107-7001 |                  | 79107-7051 | X                | 79107-7126 |                               | 79107-7201 |                  | 79107-7251 | X                | 79107-7326 |
| 06       | (6.19)  | (4.00)  |                               | 79107-7002 |                  | 79107-7052 | X                | 79107-7127 |                               | 79107-7202 |                  | 79107-7252 | X                | 79107-7327 |
| 08       | (8.19)  | (6.00)  |                               | 79107-7003 |                  | 79107-7053 | X                | 79107-7128 |                               | 79107-7203 |                  | 79107-7253 | X                | 79107-7328 |
| 10       | (10.19) | (8.00)  |                               | 79107-7004 |                  | 79107-7054 | X                | 79107-7129 |                               | 79107-7204 |                  | 79107-7254 | X                | 79107-7329 |
| 12       | (12.19) | (10.00) |                               | 79107-7005 |                  | 79107-7055 |                  | 79107-7130 |                               | 79107-7205 |                  | 79107-7255 |                  | 79107-7330 |
| 14       | (14.19) | (12.00) |                               | 79107-7006 |                  | 79107-7056 | X                | 79107-7131 |                               | 79107-7206 |                  | 79107-7256 | X                | 79107-7331 |
| 16       | (16.19) | (14.00) |                               | 79107-7007 |                  | 79107-7057 | X                | 79107-7132 |                               | 79107-7207 |                  | 79107-7257 | X                | 79107-7332 |
| 18       | (18.19) | (16.00) |                               | 79107-7008 |                  | 79107-7058 | X                | 79107-7133 |                               | 79107-7208 |                  | 79107-7258 | X                | 79107-7333 |
| 20       | (20.19) | (18.00) |                               | 79107-7009 |                  | 79107-7059 | X                | 79107-7134 |                               | 79107-7209 |                  | 79107-7259 | X                | 79107-7334 |
| 22       | (22.19) | (20.00) |                               | 79107-7010 |                  | 79107-7060 | X                | 79107-7135 |                               | 79107-7210 |                  | 79107-7260 | X                | 79107-7335 |
| 24       | (24.19) | (22.00) |                               | 79107-7011 |                  | 79107-7061 | X                | 79107-7136 |                               | 79107-7211 |                  | 79107-7261 | X                | 79107-7336 |
| 26       | (26.19) | (24.00) |                               | 79107-7012 |                  | 79107-7062 | X                | 79107-7137 |                               | 79107-7212 |                  | 79107-7262 | X                | 79107-7337 |
| 28       | (28.19) | (26.00) |                               | 79107-7013 |                  | 79107-7063 | X                | 79107-7138 |                               | 79107-7213 |                  | 79107-7263 | X                | 79107-7338 |
| 30       | (30.19) | (28.00) |                               | 79107-7014 |                  | 79107-7064 | X                | 79107-7139 |                               | 79107-7214 |                  | 79107-7264 | X                | 79107-7339 |
| 32       | (32.19) | (30.00) |                               | 79107-7015 |                  | 79107-7065 | X                | 79107-7140 |                               | 79107-7215 |                  | 79107-7265 | X                | 79107-7340 |
| 34       | (34.19) | (32.00) |                               | 79107-7016 |                  | 79107-7066 | X                | 79107-7141 |                               | 79107-7216 |                  | 79107-7266 | X                | 79107-7341 |
| 36       | (36.19) | (34.00) |                               | 79107-7017 |                  | 79107-7067 | X                | 79107-7142 |                               | 79107-7217 |                  | 79107-7267 | X                | 79107-7342 |
| 38       | (38.19) | (36.00) |                               | 79107-7018 |                  | 79107-7068 | X                | 79107-7143 |                               | 79107-7218 |                  | 79107-7268 | X                | 79107-7343 |
| 40       | (40.19) | (38.00) |                               | 79107-7019 |                  | 79107-7069 | X                | 79107-7144 |                               | 79107-7219 |                  | 79107-7269 | X                | 79107-7344 |
| 42       | (42.19) | (40.00) |                               | 79107-7020 |                  | 79107-7070 | X                | 79107-7145 |                               | 79107-7220 |                  | 79107-7270 | X                | 79107-7345 |
| 44       | (44.19) | (42.00) |                               | 79107-7021 |                  | 79107-7071 | X                | 79107-7146 |                               | 79107-7221 |                  | 79107-7271 | X                | 79107-7346 |
| 46       | (46.19) | (44.00) |                               | 79107-7022 |                  | 79107-7072 | X                | 79107-7147 |                               | 79107-7222 |                  | 79107-7272 | X                | 79107-7347 |
| 48       | (48.19) | (46.00) |                               | 79107-7023 |                  | 79107-7073 | X                | 79107-7148 |                               | 79107-7223 |                  | 79107-7273 | X                | 79107-7348 |
| 50       | (50.19) | (48.00) |                               | 79107-7024 |                  | 79107-7074 | X                | 79107-7149 |                               | 79107-7224 |                  | 79107-7274 | X                | 79107-7349 |

\*X\* - DENOTES THE ITEM IS NOT AVAILABLE CURRENTLY.

|  |                               |   |                      |                            |                    |   |                                |                        |  |  |  |
|--|-------------------------------|---|----------------------|----------------------------|--------------------|---|--------------------------------|------------------------|--|--|--|
| PDRS#1661, ADD 791075104,<br>5105, 5106, 5107<br>EC NO: S2009-0107<br>DRW:ATSEE 2008/09/03<br>CHKD:SKANG 2008/09/15<br>APPR:MLONG 2008/09/15 | QUALITY SYMBOLS<br>▽=0<br>◻=0 | GENERAL TOLERANCES (UNLESS SPECIFIED)   |                      | DIMENSION STYLE<br>MM ONLY |                    | SCALE<br>NTS                                  | DESIGN UNITS<br>METRIC         | THIRD ANGLE PROJECTION |  |  |  |
|  |                               | 4 PLACES ± --- ± ---  | 3 PLACES ± --- ± --- | DRAWN BY<br>AAB            | DATE<br>1989/05/15 | TITLE<br>2MM DUAL ROW VERTICAL RECEPTACLE T/H |                                |                        |  |  |  |
|  |                               | 2 PLACES ± 0.25 ± ---   | 1 PLACE ± 0.38 ± --- | CHECKED BY<br>MJM          | DATE<br>1989/05/15 | MOLEX INCORPORATED                            |                                |                        |  |  |  |
|  |                               | ANGULAR ± 1/2°  |                      | APPROVED BY<br>WAZ         | DATE<br>1989/05/15 | MATERIAL NO.<br>SEE TABLE                     | DOCUMENT NO.<br>SDA-79107-**** | SHEET NO.<br>2 OF 3    |  |  |  |
| DRAFT WHERE APPLICABLE MUST REMAIN WITHIN DIMENSIONS   |                               | THIS DRAWING CONTAINS INFORMATION THAT IS PROPRIETARY TO MOLEX INCORPORATED AND SHOULD NOT BE USED WITHOUT WRITTEN PERMISSION |                      |                            |                    |   |                                |                        |  |  |  |

MOLDED VOID OPTION  
ASSEMBLIES WITHOUT PEGS

| CKT. SIZE | ASSEMBLY ITEM NO. | VOID LOCATION(S)<br>SEE SHEET 1 FOR CONVENTION |             | PLATING OPTION | DIM. "A" | DIM. "B" | P.C. TAIL DIM. "C" |
|-----------|-------------------|--|-------------|----------------|----------|----------|--------------------|
|           |                   | ROW  | CKT. NO.(s) |                |          |          |                    |
| 24        | 79107-5101        | ROW B  | 6           | 5              | (24.19)  | (22.00)  | (3.00)             |
| 10        | 79107-5102        | ROW A  | 5           | 5              | (10.19)  | (8.00)   | (3.00)             |
| 26        | 79107-5103        | ROW B  | 5           | 5              | (26.19)  | (24.00)  | (3.00)             |
| 20        | 79107-5104        | ROW A  | 7           | 5              | (20.19)  | (18.00)  | (1.91)             |
| 24        | 79107-5105        | ROW B  | 10          | 5              | (24.19)  | (22.00)  | (1.91)             |
| 20        | 79107-5106        | ROW A  | 7           | 5              | (20.19)  | (18.00)  | (3.00)             |
| 24        | 79107-5107        | ROW B  | 10          | 5              | (24.19)  | (22.00)  | (3.00)             |

"X" - DENOTES THE ITEM IS NOT AVAILABLE CURRENTLY.

NOTES

1. TERMINALS WILL BE PRESENT IN VOIDED LOCATIONS HOWEVER, PIN WINDOWS WILL BE CLOSED.
2. VOIDS CANNOT BE PRESENT IN BOTH ROWS ON A CONNECTOR.

|   |                 |   |                      |  |                    |   |                                |                        |
|---|-----------------|---|----------------------|--|--------------------|---|--------------------------------|------------------------|
| PDRS#1861, ADD 791075104, 5105, 5106, 5107<br>EC NO: S2009-0107<br>DRW:ATSEE 2008/09/03<br>CHKD:SKANG 2008/09/15<br>APPR:MLONG 2008/09/15 | QUALITY SYMBOLS | GENERAL TOLERANCES (UNLESS SPECIFIED)   |                      | DIMENSION STYLE<br>MM ONLY                           |                    | SCALE<br>NTS                                  | DESIGN UNITS<br>METRIC         | THIRD ANGLE PROJECTION |
|   | ▽=0             | mm  | INCH                 | DRAWN BY<br>AAB                                      | DATE<br>1989/05/15 | TITLE<br>2MM DUAL ROW VERTICAL RECEPTACLE T/H |                                |                        |
|   | ∇=0             | 4 PLACES ± --- ± ---  | 3 PLACES ± --- ± --- | CHECKED BY<br>MJM                                    | DATE<br>1989/05/15 | MOLEX INCORPORATED                            |                                |                        |
|   |                 | 2 PLACES ± 0.25 ± ---   | 1 PLACE ± 0.38 ± --- | APPROVED BY<br>WAZ                                   | DATE<br>1989/05/15 | MATERIAL NO.<br>SEE TABLE                     | DOCUMENT NO.<br>SDA-79107-**** | SHEET NO.<br>3 OF 3    |
|   |                 | ANGULAR ± 1/2°  |                      | DRAFT WHERE APPLICABLE MUST REMAIN WITHIN DIMENSIONS |                    |   |                                |                        |
|   |                 | THIS DRAWING CONTAINS INFORMATION THAT IS PROPRIETARY TO MOLEX INCORPORATED AND SHOULD NOT BE USED WITHOUT WRITTEN PERMISSION |                      |  |                    |   |                                |                        |