

General Description

TS5214 is an efficient linear voltage regulator with ultra low noise output, very low dropout voltage (typically 20mV at light loads and 350mV at 300mA at 5V version), and very low power consumption (600uA at 100mA), providing high output current even when the application requires very low dropout voltage. TS5214 is included a precision voltage reference, error correction circuit, a current limited output driver, over temperature shutdown and reversed battery protection

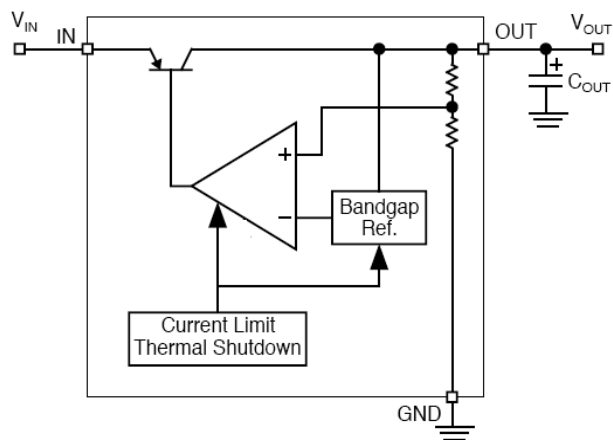
Features

- Ultra Low Noise Output
- Output Current up to 300mA (5V Version)
- Low Dropout Voltage
- Low Power Consumption
- Internal Current Limit
- Thermal Shutdown Protection

Application

- Cellular Telephones
- Palmtops, Notebook Computers
- Battery Powered Equipment
- Consumer and Portable Application
- SMPS Post Regulator and DC to DC Modules
- High-efficiency Linear Power Supplies

Block Diagram



Ordering Information

Part No.	Package	Packing
TS5214CX xx RF	SOT-23	3Kpcs / 7" Reel
TS5214CY xx RM	SOT-89	1Kpcs / 7" Reel
TS5214ACY xx RM	SOT-89	1Kpcs / 7" Reel
TS5214CW xx RP	SOT-223	2.5Kpcs / 13" Reel
TS5214CS xx RL	SOP-8	2.5Kpcs / 13" Reel

Note: Where xx denotes voltage option, available are

50=5.0V

33=3.3V

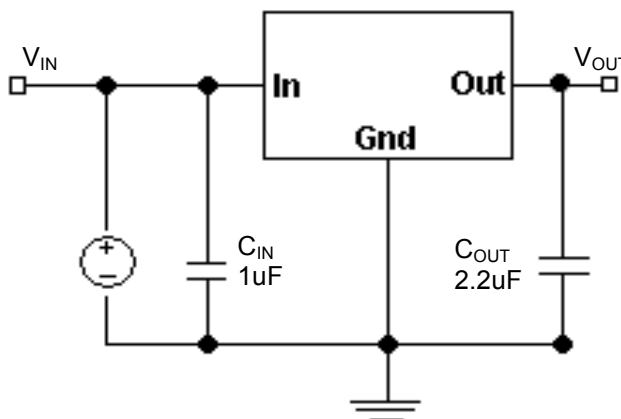
29=2.9V

28=2.8V

25=2.5V

Contact factory for additional voltage options.

Typical Application Circuit



Absolute Maximum Rating (Note 1)

Parameter	Symbol	Limit	Unit
Input Supply Voltage	V_{IN}	-20 ~ +20	V
Input Supply Voltage (Recommend)	V_{IN}	+2.5 ~ +16	V
Power Dissipation (Note 2)	P_D	Internal limited	
Thermal Resistance	Θ_{JA}	SOT-23	220
		SOT-89	180
		SOT-223	130
		SOP-8	160
Operating Junction Temperature Range	T_J	-40 ~ +125	$^{\circ}C$
Storage Temperature Range	T_{STG}	-65 ~ +150	$^{\circ}C$
Lead Soldering Temperature (260 $^{\circ}C$)		5	S

Electrical Specification ($V_{IN}=V_O+1V$, $I_O=100\mu A$, $C_{OUT}=1\mu F$, $V_{CE}\geq 2V$, $T_J=25^{\circ}C$, unless otherwise specified.)

Parameter	Conditions	Min	Typ	Max	Unit
Output Voltage	$V_{IN}=V_O+1V$	0.97 V_O	V_{OUT}	1.03 V_O	V
	$V_{IN}=V_O+1V$, $I_O=120mA$	0.96 V_O		1.04 V_O	
Output Voltage Temp. Coefficient	(Note 4)	--	50	--	ppm/ $^{\circ}C$
Line Regulation	$V_O+1V \leq V_{IN} \leq 16V$	--	0.1	0.5	%
Load Regulation (Note 5)	$0.1mA \leq I_O \leq 120mA$	--	1	2	%
Dropout Voltage (Note 6)	$I_O=100\mu A$	--	20	--	mV
	$I_O=50mA$	--	250	300	
	$I_O=150mA$	--	350	400	
	$I_O=300mA$ (5V version)	--	450	500	
Ground Pin Current (Note 7)	$I_O=100\mu A$	--	110	150	μA
	$I_O=50mA$	--	500	1000	
	$I_O=150mA$	--	2600	3100	
	$I_O=300mA$ (5V version)	--	3500	4200	
Output Current Limit	$V_{OUT}=0V$	150	200	--	mA
Power Supply Rejection Ratio	At $f=100Hz$, $I_O=100\mu A$,	--	75	--	dB
Thermal Regulation (Note 8)		--	0.05	--	%/W
Output Noise	$I_O=50mA$, $C_{OUT}=2.2\mu F$,	--	260	--	nV \sqrt{Hz}

Note:

- Exceeding the absolute maximum rating may damage the device.
- The maximum allowable power dissipation at any T_a is $P_D(max) = [T_J(max) - T_a] + \Theta_{JA}$. Exceeding the maximum allowable power dissipation will result in excessive die temperature, and the regulator will go into thermal shutdown.
- The device is not guaranteed to function outside its operating rating.
- Output voltage temperature coefficient is defined as the worst case voltage change divided by the total temperature range.
- Regulation is measured at constant junction temperature using low duty cycle pulse testing. Parts are tested for load regulation in the load range from 1mA to 300mA (5V version) and 1mA to 120mA ($V_{OUT} < 5V$ version). Changes in output voltage due to heating effects are covered by the thermal regulation specification.
- Dropout voltage is defined as the input to output differential at which the output voltage drops 2% below its nominal value measured at 1V differential.
- Ground pin current is the regulator quiescent current plus pass transistor base current. The total current drawn from the supply is the sum of the load current plus the ground pin current.
- Thermal regulation is defined as the change in output voltage at a time "t" after a change in power dissipation is applied, excluding load or line regulation effects. Specifications are for a 300mA load pulse at $V_{IN}=16V$ for $t=10ms$.

Application Information

TS5214 is designed to provide 300mA (5V version) of continuous current in a very small package. Maximum power dissipation can be calculated based on the output current and the voltage drop across the part. To determine the maximum power dissipation of the package, use the junction-ambient thermal resistance of the device and the following basic equation:

$$P_D(\text{max}) = [T_J(\text{max}) - T_a] / \Theta_{JA}$$

$T_J(\text{max})$ is the maximum junction temperature of the die(125°C), and T_a is the ambient operating temperature. Θ_{JA} is layout dependent, the actual power dissipation of the regulator circuit can be determined using the equation:

$$P_D = (V_{IN} - V_{out}) * I_{out} + V_{IN} * I_{gnd}$$

Substituting $P_D(\text{max})$ for P_D and solving for the operating conditions that are critical to the application will give the maximum operating conditions for the regulator circuit. For example, when operating the TS5214CX33 at room temperature with a minimum footprint layout, the maximum input voltage for a set output current can be determined as follows:

$$P_D(\text{max}) = (125\text{oC} - 25\text{oC}) / 220\text{oC/W}$$

$$P_D(\text{max}) = 455\text{mW}$$

The junction to ambient thermal resistance for the minimum footprint is 220°C/W, the maximum power dissipation must not be exceeded for proper operation. Using the output voltage of 3.3V and an output current of 120mA, the maximum input voltage can be determined. From the electrical characteristics table, the maximum ground current for 120mA output current is 2.5mA.

$$445\text{mW} = (V_{IN} - 3.3V) * 120\text{mA} + V_{IN} * 2.5\text{mA}$$

$$445\text{mW} = V_{IN} * 120\text{mA} - 3.3 * 120\text{mA} + V_{IN} * 2.5\text{mA}$$

$$445\text{mW} = V_{IN} * 120\text{mA} - 395\text{mW} + V_{IN} * 2.5\text{mA}$$

$$840\text{mW} = V_{IN} * 122.5\text{mA}$$

$$V_{IN}(\text{max}) = 6.85\text{V}$$

Therefore, a 3.3V application at 120mA of output current can accept a maximum input voltage of 6.85V in a SOT-23 package.

Input Capacitor Requirement

An input capacitor of 0.1uF or greater is recommended when the device is more than 10" away from the bulk AC supply capacitance or when the supply is a battery.

Output Capacitor Requirement

TS5214 requires an output capacitor to maintain stability and improve transient response is necessary. 2.2uF minimum is recommended. Larger values improve the regulator's transient response. The output capacitor value may be increased without limit.

The output capacitor should have an ESR (effective series resistance) less than 5Ω and a resonant frequency above 1MHz. Ultra low ESR capacitors can cause a low amplitude oscillation on the output and/or under damped transient response. Most of tantalum or aluminum electrolytic capacitors are adequate; film types will work. Since many aluminum electrolytic have electrolytes that freeze at about -30°C, solid tantalums are recommended for operation below -25°C. At lower values of output current, less output capacitance is required for output stability. The capacitor can be reduced to 0.47uF for current below 10mA or 0.33uF for currents below 1mA.

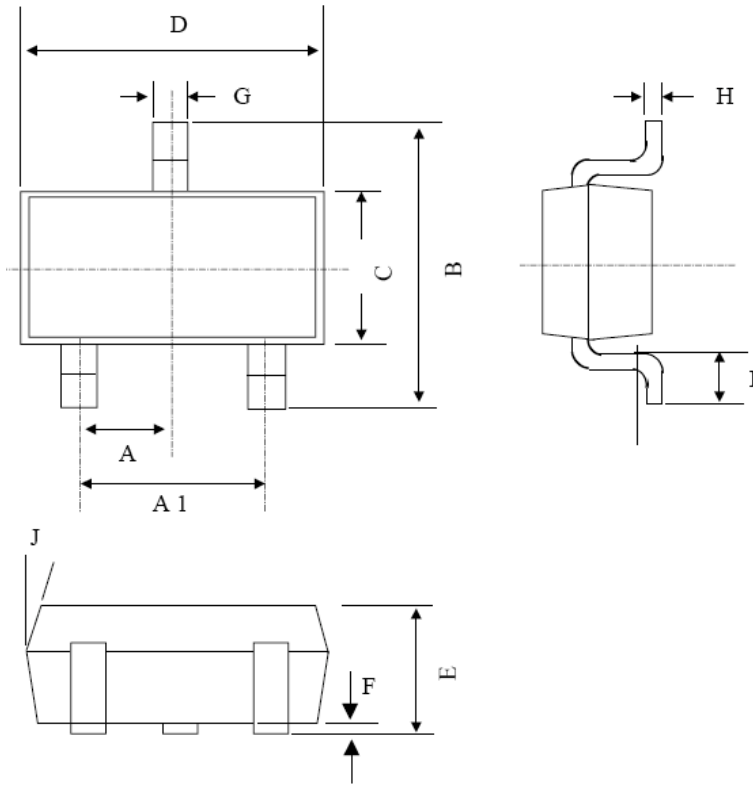
No Load Stability

TS5214 will remain stable and in regulation with no load, unlike many other voltage regulators. This is especially important in CMOS RAM keep alive applications.

Dual Supply Operation

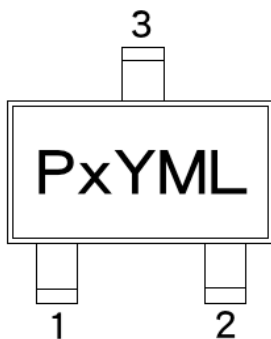
When used in dual supply systems where the regulator load is returned to a negative supply, the output voltage must be diode clamped to ground.

SOT-23 Mechanical Drawing



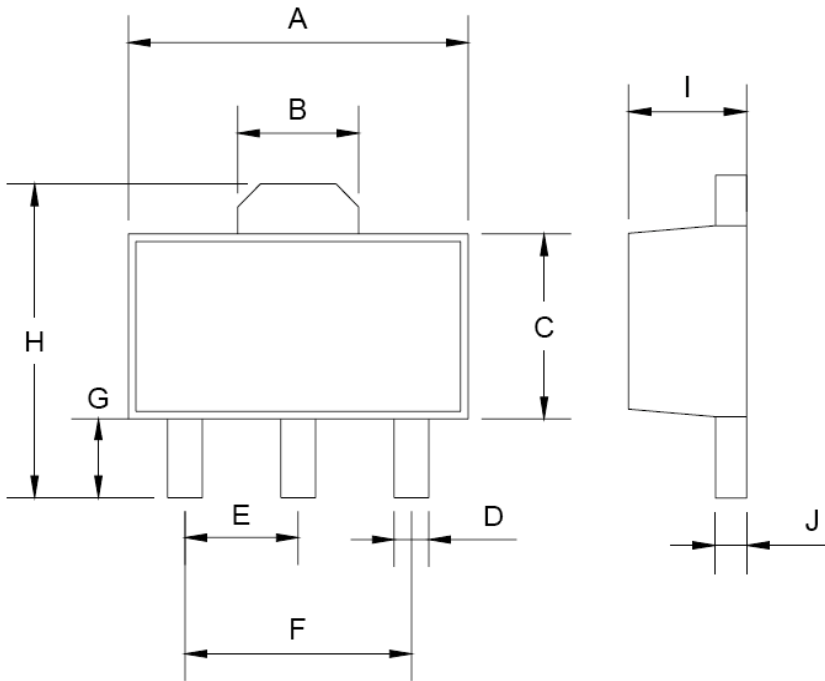
SOT-23 DIMENSION				
DIM	MILLIMETERS		INCHES	
	MIN	MAX	MIN	MAX.
A	0.95 BSC		0.037 BSC	
A1	1.9 BSC		0.074 BSC	
B	2.60	3.00	0.102	0.118
C	1.40	1.70	0.055	0.067
D	2.80	3.10	0.110	0.122
E	1.00	1.30	0.039	0.051
F	0.00	0.10	0.000	0.004
G	0.35	0.50	0.014	0.020
H	0.10	0.20	0.004	0.008
I	0.30	0.60	0.012	0.024
J	5°	10°	5°	10°

Marking Diagram



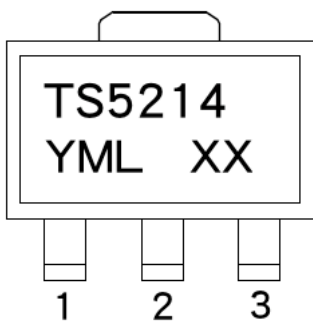
- P** = Product code
- Y** = Year Code
- M** = Month Code
(A=Jan, B=Feb, C=Mar, D=Apl, E=May, F=Jun, G=Jul, H=Aug, I=Sep, J=Oct, K=Nov, L=Dec)
- L** = Lot Code
- XX** = Voltage Code
(K=2.5V, N=2.8V, O=2.9V, S=3.3V, 5=5V)

SOT-89 Mechanical Drawing

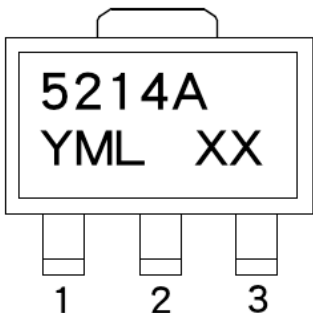


SOT-89 DIMENSION				
DIM	MILLIMETERS		INCHES	
	MIN	MAX	MIN	MAX
A	4.40	4.60	0.173	0.181
B	1.50	1.7	0.059	0.070
C	2.30	2.60	0.090	0.102
D	0.40	0.52	0.016	0.020
E	1.50	1.50	0.059	0.059
F	3.00	3.00	0.118	0.118
G	0.89	1.20	0.035	0.047
H	4.05	4.25	0.159	0.167
I	1.4	1.6	0.055	0.068
J	0.35	0.44	0.014	0.017

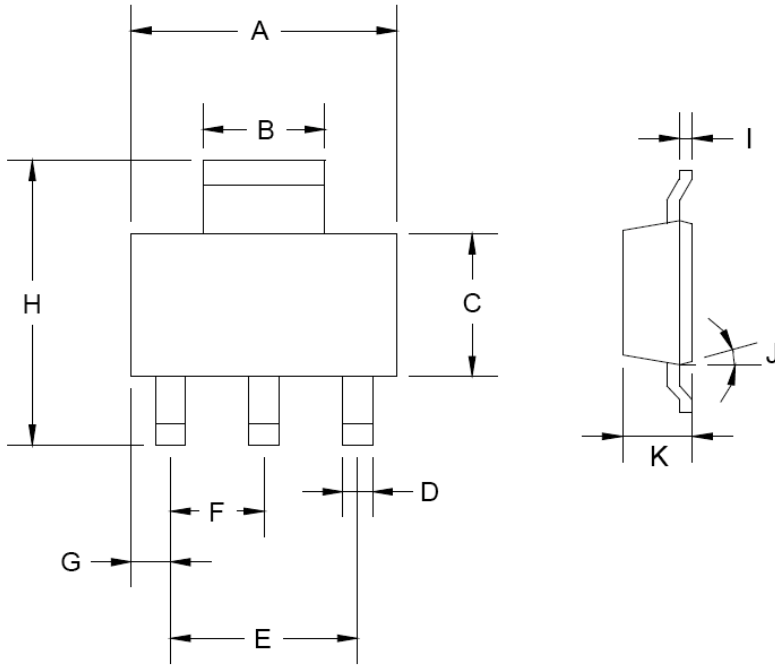
Marking Diagram



- Y** = Year Code
- M** = Month Code
(A=Jan, B=Feb, C=Mar, D=Apl, E=May, F=Jun, G=Jul, H=Aug, I=Sep, J=Oct, K=Nov, L=Dec)
- L** = Lot Code
- XX** = Voltage Code
(25=2.5V, 28=2.8V, 29=2.9V, 33=3.3V, 50=5V)

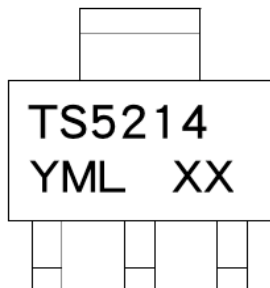


SOT-223 Mechanical Drawing



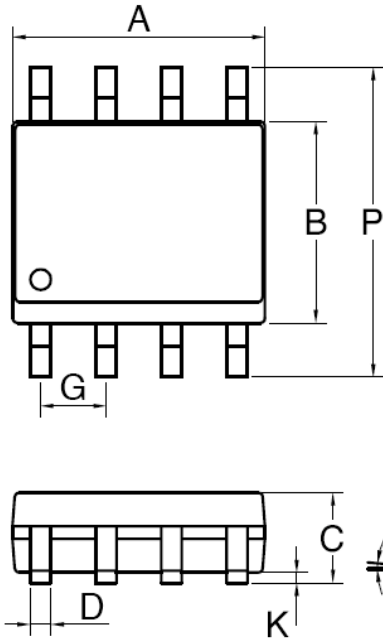
SOT-223 DIMENSION				
DIM	MILLIMETERS		INCHES	
	MIN	MAX	MIN	MAX
A	6.350	6.850	0.250	0.270
B	2.900	3.100	0.114	0.122
C	3.450	3.750	0.136	0.148
D	0.595	0.635	0.023	0.025
E	4.550	4.650	0.179	0.183
F	2.250	2.350	0.088	0.093
G	0.835	1.035	0.032	0.041
H	6.700	7.300	0.263	0.287
I	0.250	0.355	0.010	0.014
J	10°	16°	10°	16°
K	1.550	1.800	0.061	0.071

Marking Diagram



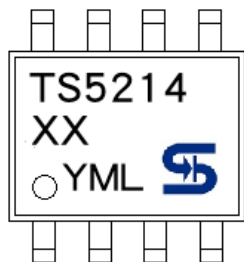
- Y** = Year Code
- M** = Month Code
(**A**=Jan, **B**=Feb, **C**=Mar, **D**=Apr, **E**=May, **F**=Jun, **G**=Jul, **H**=Aug, **I**=Sep, **J**=Oct, **K**=Nov, **L**=Dec)
- L** = Lot Code
- XX** = Voltage Code
(**25**=2.5V, **28**=2.8V, **29**=2.9V, **33**=3.3V, **50**=5V)

SOP-8 Mechanical Drawing



DIM	MILLIMETERS		INCHES	
	MIN	MAX	MIN	MAX.
A	4.80	5.00	0.189	0.196
B	3.80	4.00	0.150	0.157
C	1.35	1.75	0.054	0.068
D	0.35	0.49	0.014	0.019
F	0.40	1.25	0.016	0.049
G	1.27BSC		0.05BSC	
K	0.10	0.25	0.004	0.009
M	0°	7°	0°	7°
P	5.80	6.20	0.229	0.244
R	0.25	0.50	0.010	0.019

Marking Diagram



- Y** = Year Code
- M** = Month Code
(**A**=Jan, **B**=Feb, **C**=Mar, **D**=Apr, **E**=May, **F**=Jun, **G**=Jul, **H**=Aug, **I**=Sep, **J**=Oct, **K**=Nov, **L**=Dec)
- L** = Lot Code
- XX** = Voltage Code
(**25**=2.5V, **28**=2.8V, **29**=2.9V, **33**=3.3V, **50**=5V)

Notice

Specifications of the products displayed herein are subject to change without notice. TSC or anyone on its behalf, assumes no responsibility or liability for any errors or inaccuracies.

Information contained herein is intended to provide a product description only. No license, express or implied, to any intellectual property rights is granted by this document. Except as provided in TSC's terms and conditions of sale for such products, TSC assumes no liability whatsoever, and disclaims any express or implied warranty, relating to sale and/or use of TSC products including liability or warranties relating to fitness for a particular purpose, merchantability, or infringement of any patent, copyright, or other intellectual property right.

The products shown herein are not designed for use in medical, life-saving, or life-sustaining applications. Customers using or selling these products for use in such applications do so at their own risk and agree to fully indemnify TSC for any damages resulting from such improper use or sale.